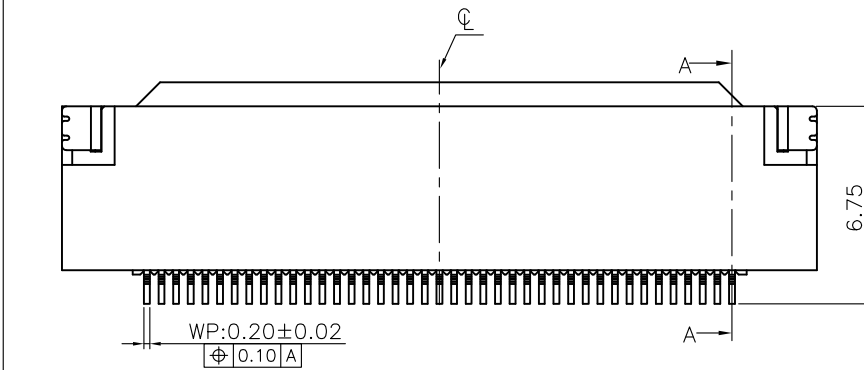
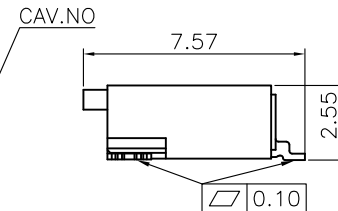
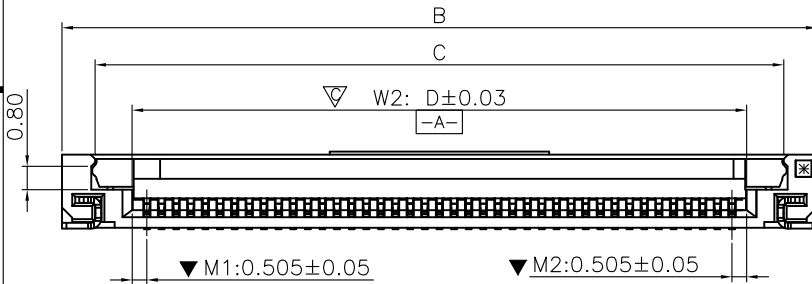
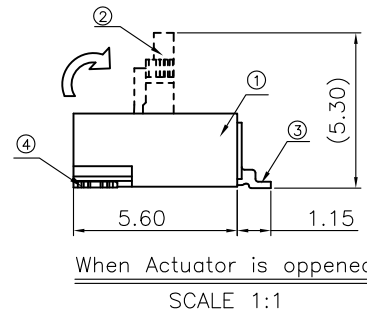
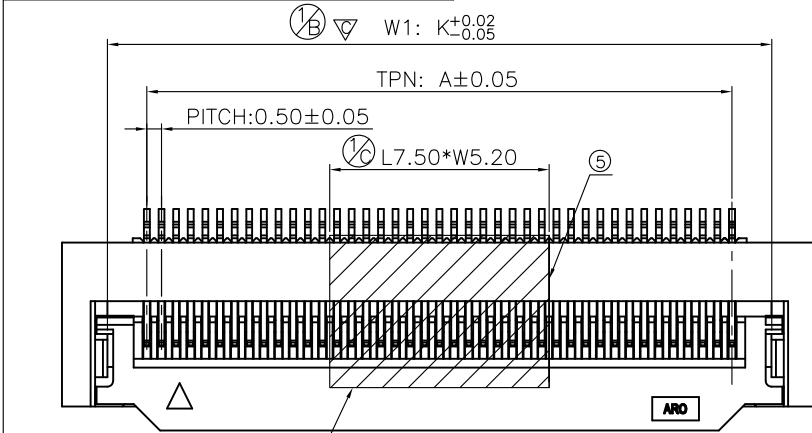


This document is the property of Amphenol Aorora Corporation and is delivered on the express condition that it is not to be disclosed, reproduced or used, in whole or in part, for manufacture or sale by anyone other than Amphenol Aorora Corporation without its prior consent, & that no right is granted to disclose or to use any information in this document.



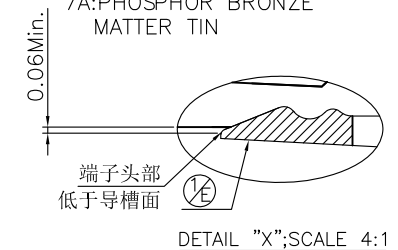
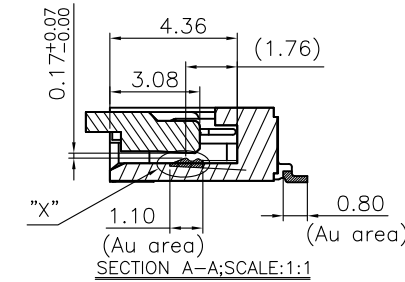
REV.	ECR/ECN No.	DESCRIPTION	DRAWN/DATE	CHECKED/DATE	APPROVED/DATE
E	/	改善皮线保持力, 端子头部形状变更	May 2016-04-13	Rain 2016-04-13	Hongkui.Liu 2016-04-13
F	/	客户要求料号升级	May 2016-05-13	Rain 2016-05-13	Hongkui.Liu 2016-05-13
G	/	新增规格PIN数	May 2017-03-27	Rain 2017-03-27	Hongkui.Liu 2017-03-27

**SPECIFICATION**

- CONTACT RESISTANCE : 30mΩ MAX.;
- DIELECTRIC WITHSTANDING VOLTAGE; 500V AC R.M.S. FOR 1 MINUTE;
- INSULATION RESISTANCE : 500MΩ MIN;
- "▽" IS IMPORTANT DIMENSION;
- "▽" NOTATION FOR CPK AND X-R TEST SIZE
- ALL MATERIAL MUST BE COMPLY WITH SS-00259 OR RoHS.
- PART NO.:

F31L-1\*7\*1-110\*\*(WITH MYLAR)  
F31L-1\*7\*1-110\*\*-E\*20(升级料号) 1:WITH MYLAR 2:WITHOUT MYLAR

1A:LCP Natural  
1B:LCP Black  
NO. OF POSITIONS  
7H:PHOSPHOR BRONZE  
0.05um MIN Au(Au Area)  
7A:PHOSPHOR BRONZE  
MATTER TIN

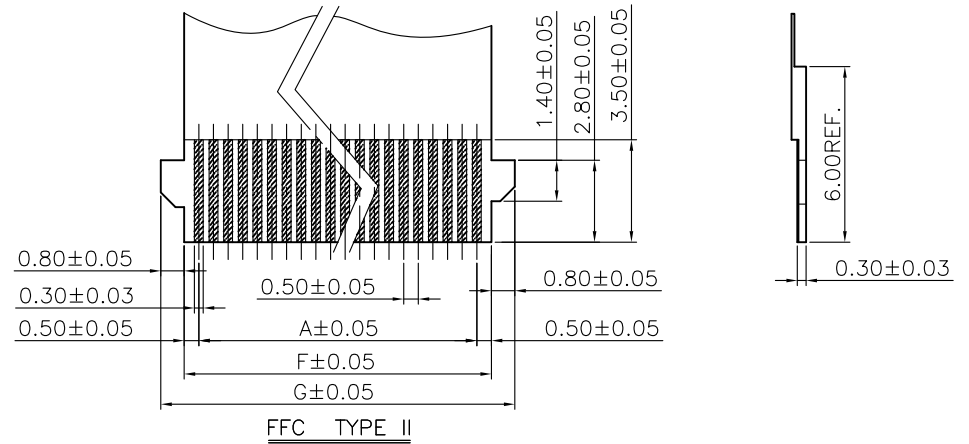
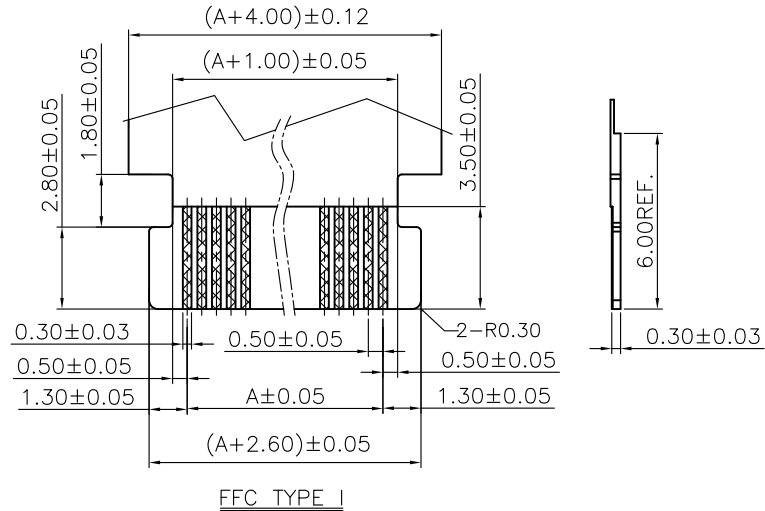


NO.	COMPONENTS	MATERIALS	FINISH/COLOR	SPECIFICATION	QTY.
1	HOUSING	Liquid crystal polymer	Natural or Black(UL94V-0);		1
2	ACTUATOR	Polyamide 9T	black(UL94V-0);		1
3	CONTACT	Phosphor Bronze T=0.20mm	UNDER PLATING:1~3um Ni SURFACE SELECT PLATING:SEE PART NO.		N
4	ANCHOR-PLATE	Brass T=0.20mm	2~4um Tin PLATING 1~3um Ni UNDERPLATING		2
5	MYLAR	T=0.10mm THERMOSTABLE	YELLOW		1

UNLESS OTHERWISE SPECIFIED TOLERANCES				ANGLE OF PROJECTION		Amphenol AORORA	
X.	±0.50	X. *	± 1'			Amphenol Aorora Technology (Huizhou) Co.,Ltd	
XX	±0.25	XX *	± 0.5'				
XXX	±0.15	XXX *	± 0.5'	DOC TYPE Customer Drw		TITLE: Assembly Drawing For 0.5mm pitch Front side filp, with lock,H2.55mm(41~69PIN)	
X.XX	±0.10	X.XX *	± 1'				
LINEAR DIMS		ANGLES DIMS		DRAWN	DATE	SIZE	DWG NO.
P/N: F31L-1*7*1-110** F31L-1*7*1-110**-E*20				May	2017-03-27	A4	A-S0083
MATERIAL		SEE NOTES		DESIGN	DATE	REV.	
FINISHED		SEE NOTES		May	2017-03-27	G	
				CHECKED	DATE	SCALE	UNIT : mm
				Rain	2017-03-27	1:1	SHEET 1 OF 2
				APPROVED	DATE		
				Hongkui.Liu	2017-03-27		

This document is the property of Amphenol Aorora Corporation and is delivered on the express condition that it is not to be disclosed, reproduced or used, in whole or in part, for manufacture or sale by anyone other than Amphenol Aorora Corporation without its prior consent, & that no right is granted to disclose or to use any information in this document.

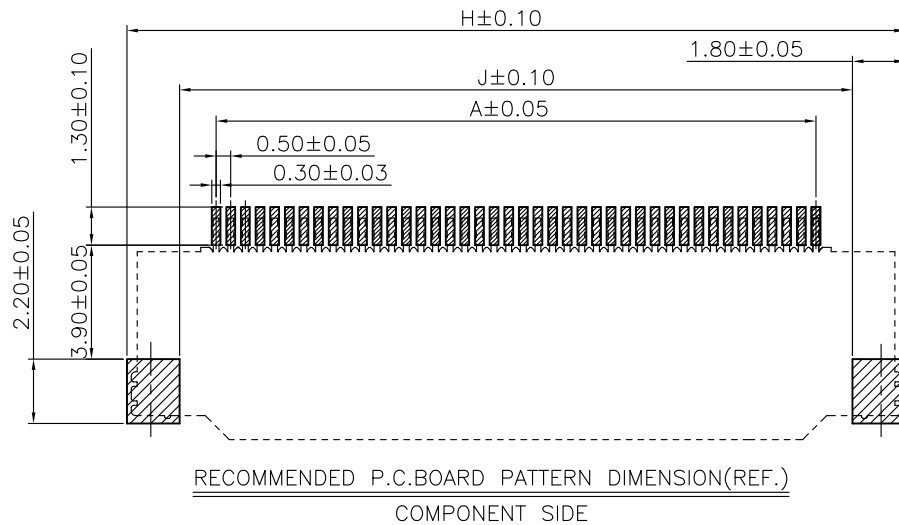
1. FFC PATTERN DIMENSION



DIMENSION LIST:

NO. OF POS	A	B	C	D	F	G	H	J	K	NO. OF POS	A	B	C	D	F	G	H	J	K
41	20.0	25.8	23.54	21.01	21.0	22.6	26.1	22.5	22.72	56	27.5	33.3	31.04	28.51	28.5	30.1	33.6	30.0	30.22
42	20.5	26.3	24.04	21.51	21.5	23.1	26.6	23.0	23.22	57	28.0	33.8	31.54	29.01	29.0	30.6	34.1	30.5	30.72
43	21.0	26.8	24.54	22.01	22.0	23.6	27.1	23.5	23.72	58	28.5	34.3	32.04	29.51	29.5	31.1	34.6	31.0	31.22
44	21.5	27.3	25.04	22.51	22.5	24.1	27.6	24.0	24.22	59	29.0	34.8	32.54	30.01	30.0	31.6	35.1	31.5	31.72
45	22.0	27.8	25.54	23.01	23.0	24.6	28.1	24.5	24.72	60	29.5	35.3	33.04	30.51	30.5	32.1	35.6	32.0	32.22
46	22.5	28.3	26.04	23.51	23.5	25.1	28.6	25.0	25.22	61	30.0	35.8	33.54	31.01	31.0	32.6	36.1	32.5	32.72
47	23.0	28.8	26.54	24.01	24.0	25.6	29.1	25.5	25.72	62	30.5	36.3	34.04	31.51	31.5	33.1	36.6	33.0	33.22
48	23.5	29.3	27.04	24.51	24.5	26.1	29.6	26.0	26.22	63	31.0	36.8	34.54	32.01	32.0	33.6	37.1	33.5	33.72
49	24.0	29.8	27.54	25.01	25.0	26.6	30.1	26.5	26.72	64	31.5	37.3	35.04	32.51	32.5	34.1	37.6	34.0	34.22
50	24.5	30.3	28.04	25.51	25.5	27.1	30.6	27.0	27.22	65	32.0	37.8	35.54	33.01	33.0	34.6	38.1	34.5	34.72
51	25.0	30.8	28.54	26.01	26.0	27.6	31.1	27.5	27.72	66	32.5	38.3	36.04	33.51	33.5	35.1	38.6	35.0	35.22
52	25.5	31.3	29.04	26.51	26.5	28.1	31.6	28.0	28.22	67	33.0	38.8	36.54	34.01	34.0	35.6	39.1	35.5	35.72
53	26.0	31.8	29.54	27.01	27.0	28.6	32.1	28.5	28.72	68	33.5	39.3	37.04	34.51	34.5	36.1	39.6	36.0	36.22
54	26.5	32.3	30.04	27.51	27.5	29.1	32.6	29.0	29.22	69	34.0	39.8	37.54	35.01	35.0	36.6	40.1	36.5	36.72
55	27.0	32.8	30.54	28.01	28.0	29.6	33.1	29.5	29.72										

2. P.C.B LAYOUT, TOL: ±0.05



UNLESS OTHERWISE SPECIFIED TOLERANCES	
X. ±0.50	X. * ± 1°
XX ±0.25	XX * ± 0.5°
XXX ±0.15	XXX * ± 0.5°
X.XX ±0.10	X.XX * ± 1°
LINEAR DIMS	ANGLES DIMS
P/N: F31L-1*7*1-110**	
F31L-1*7*1-110**-E*20	
MATERIAL	SEE NOTES
FINISHED	SEE NOTES

ANGLE OF PROJECTION	
DOC	Customer Drw
DRAWN	DATE
DESIGN	DATE
CHECKED	DATE
APPROVED	DATE

**Amphenol AORORA**  
Amphenol Aorora Technology (Huizhou) Co.,Ltd

TITLE: Assembly Drawing For 0.5mm pitch Front side filp, with lock,H2.55mm(41~69PIN)

SCALE: 1:1 UNIT: mm SHEET 2 OF 2

REV. G

DWG NO. A-S0083