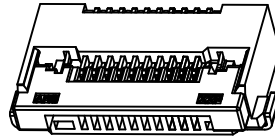
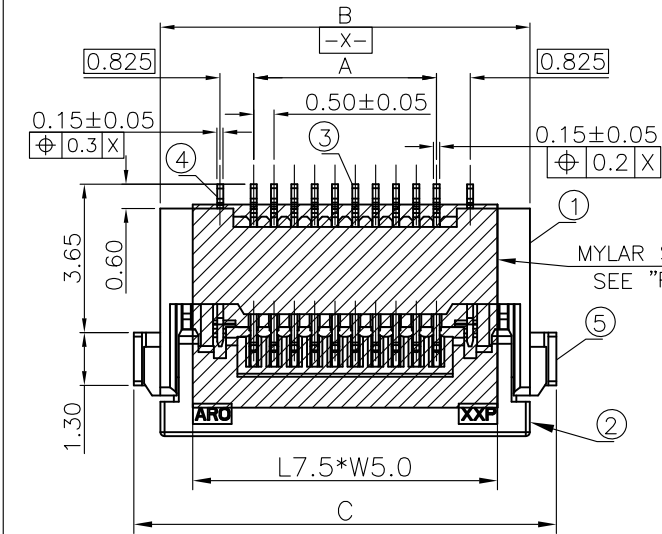
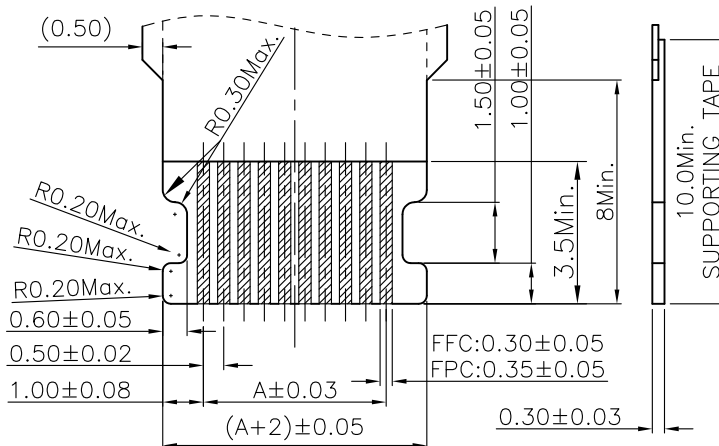
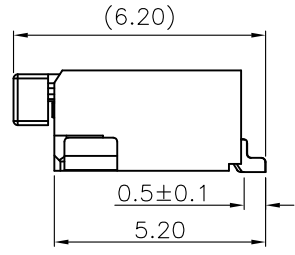
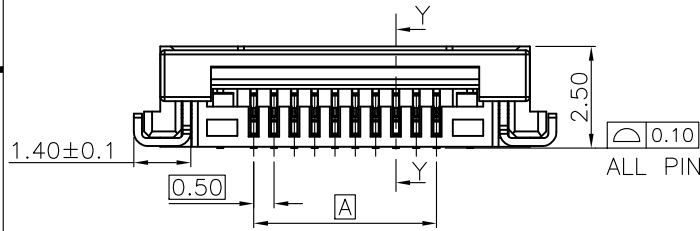
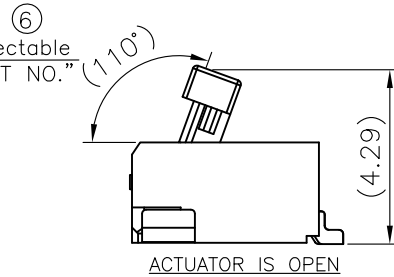


This document is the property of Amphenol Aorora Corporation and is delivered on the express condition that it is not to be disclosed, reproduced or used, in whole or in part, for manufacture or sale by anyone other than Amphenol Aorora Corporation without its prior consent, & that no right is granted to disclose or to use any information in this document.



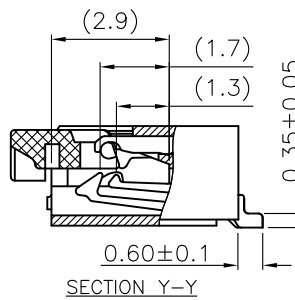
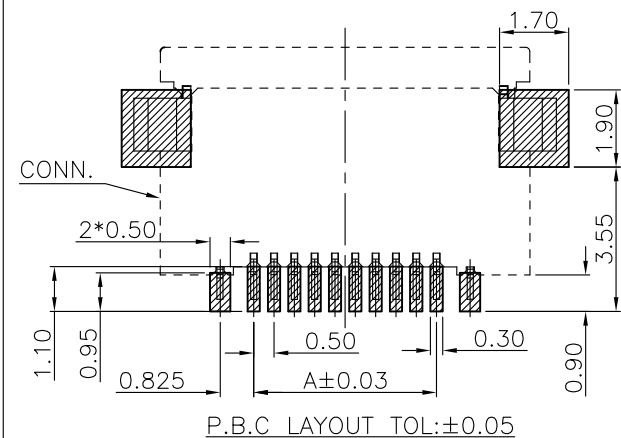
3D VIEW.



RECOMMENDED FFC/FPC SIZE

DIMENSION LIST:

NO. OF POS	A	B	C
06	2.50	7.10	8.40
10	4.50	9.10	10.40
12	5.50	10.10	11.40
20	9.50	14.10	15.40
30	14.50	19.10	20.40
40	19.50	24.10	25.40
50	24.50	29.10	30.40
60	29.50	34.10	35.40



REV.	ECR/ECN No.	DESCRIPTION	DRAWN/DATE	CHECKED/DATE	APPROVED/DATE
A	/	New version	May 2017-04-11	Rain 2017-04-11	Hongkui.Liu 2017-04-11
B	/	Add PIN specification	May 2018-08-22	Rain 2018-08-22	Hongkui.Liu 2018-08-22

NO.	COMPONENTS	MATERIALS	FINISH/COLOR SPECIFICATION	QTY.
1	HOUSING	Liquid crystal polymer	Natural (UL94V-0);	1
2	ACTUATOR	Polyamide 9T	black(UL94V-0);	1
3	CONTACT-1	Phosphor Bronze T=0.15mm	UNDER PLATING:1~3um Ni SURFACE SELECT PLATING:SEE PART NO.	N
4	CONTACT-2	Phosphor Bronze T=0.15mm	UNDER PLATING:1~3um Ni SURFACE SELECT PLATING:SEE PART NO.	2
5	ANCHOR-PLATE	Brass;T=0.15mm	2~4 um Tin PLATING 1~3um Ni UNDERPLATING	2
6	MYLAR	T=0.10mm THERMOSTABLE	YELLOW	1

NOTE:
 1. ALL MATERIAL MUST BE COMPLY WITH SS-00259 OR RoHS.
 2. PART NO.:
 F304-1A7*1-110**-E*00
 1:WITH MYLAR
 2:WITHOUT MYLAR
 NO. OF POSITIONS
 7H:PHOSPHOR BRONZE 0.05um MIN. Au(Au Area)
 7A:PHOSPHOR BRONZE MATTER TIN

UNLESS OTHERWISE SPECIFIED TOLERANCES		ANGLE OF PROJECTION		 Amphenol Aorora Technology (Huizhou) Co.,Ltd	
X.	±0.50	X.	± 1°		
XX	±0.30	XX	± 0.5°	TITLE: FFC/FPC P0.50 H2.5 front side filp, With lock,Double beam	
XXX	±0.20	XXX	± 0.5°		
X.XX	±0.10	X.XX	± 1°	DWG NO. A-S0438	
LINEAR DIMS	ANGLES DIMS	DOC TYP	Customer Drw		
P/N:F304-1A7*1-110**-E*00		DRAWN DATE	May 2018-08-22	SCALE	1:1
MATERIAL	SEE NOTES	DESIGN DATE	May 2018-08-22	UNIT : mm	
FINISHED	SEE NOTES	CHECKED DATE	Rain 2018-08-22	SHEET	1 OF 1
		APPROVED DATE	Hongkui.Liu 2018-08-22		