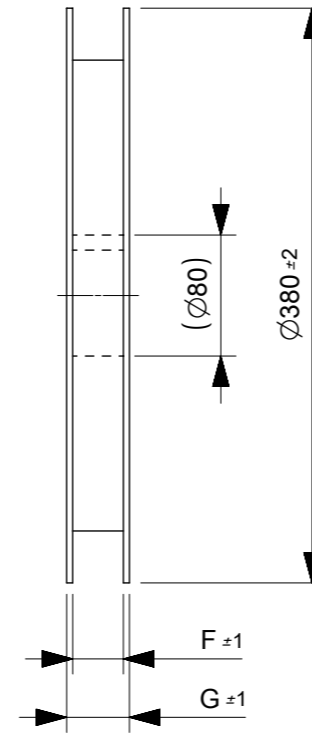
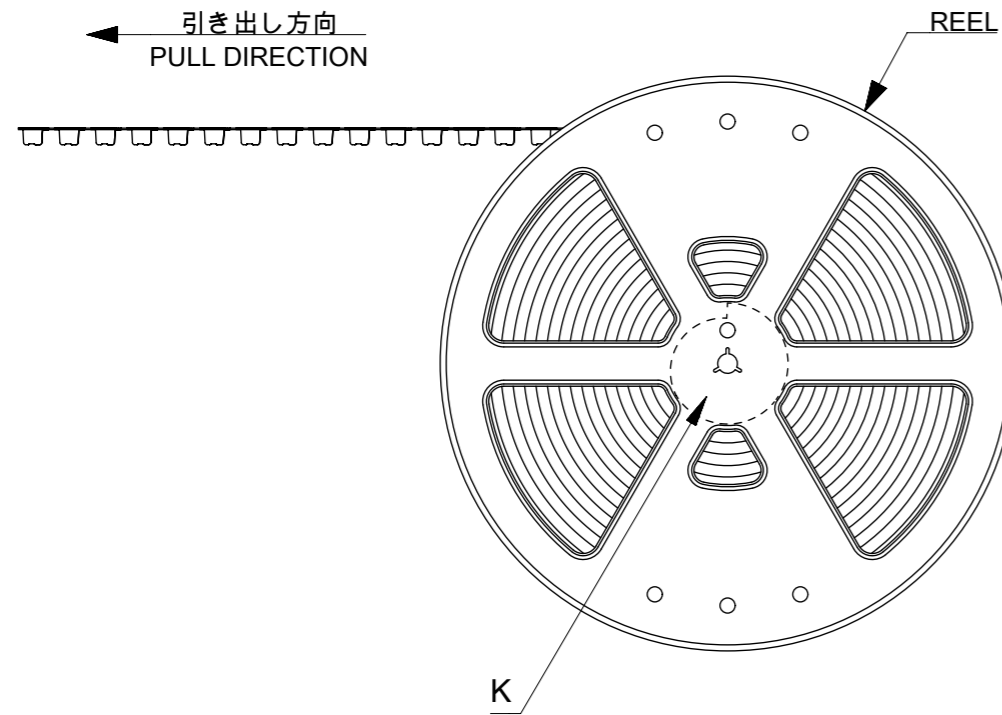
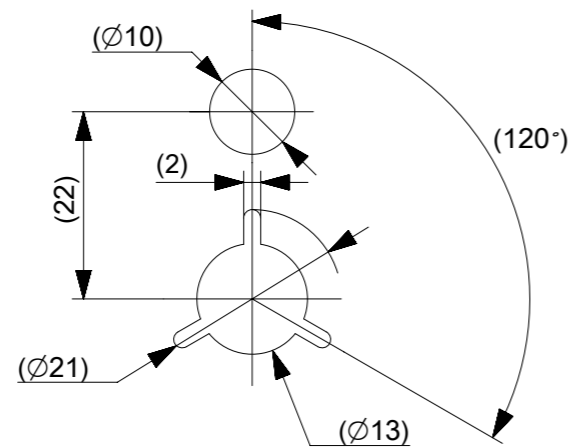
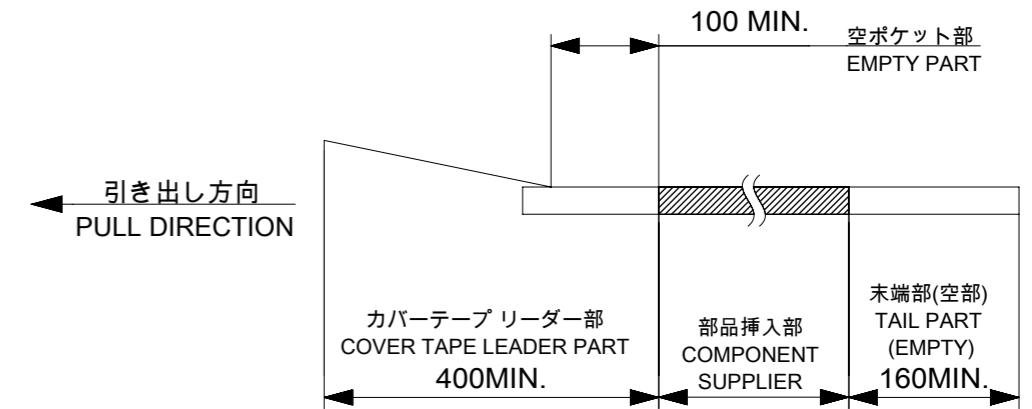


引き出し方向
PULL DIRECTION



NOTES

- 製品詳細寸法については 5019511005-SDを参照下さい。
FOR DIMENSIONS OF PRODUCT, REFER TO 5019511005-SD.
- 梱包数量 : 2000個/リール
NUMBER OF CONNECTORS : 2000PIECES/REEL
- リードテープ長さ
LEAD TAPE LENGTH



DETAIL K

- カバーテープの剥離強度については、IEC60286-3に準拠。
COVER TAPE PEEL FORCE IS DEFINED BY IEC60286-3.
- 材料 MATERIAL
キャリアテープ : ポリスチレン
CARRIER TAPE : POLYSTYRENE
カバーテープ : ポリエチレンテレフタレート、ポリエチレン
COVER TAPE : POLYETHYLENE TEREPHTHALATE , POLYETHYLENE
リール : ポリスチレン<リサイクル材を含む>
REEL : POLYSTYRENE<RECYCLE MATERIAL CONTAINED>

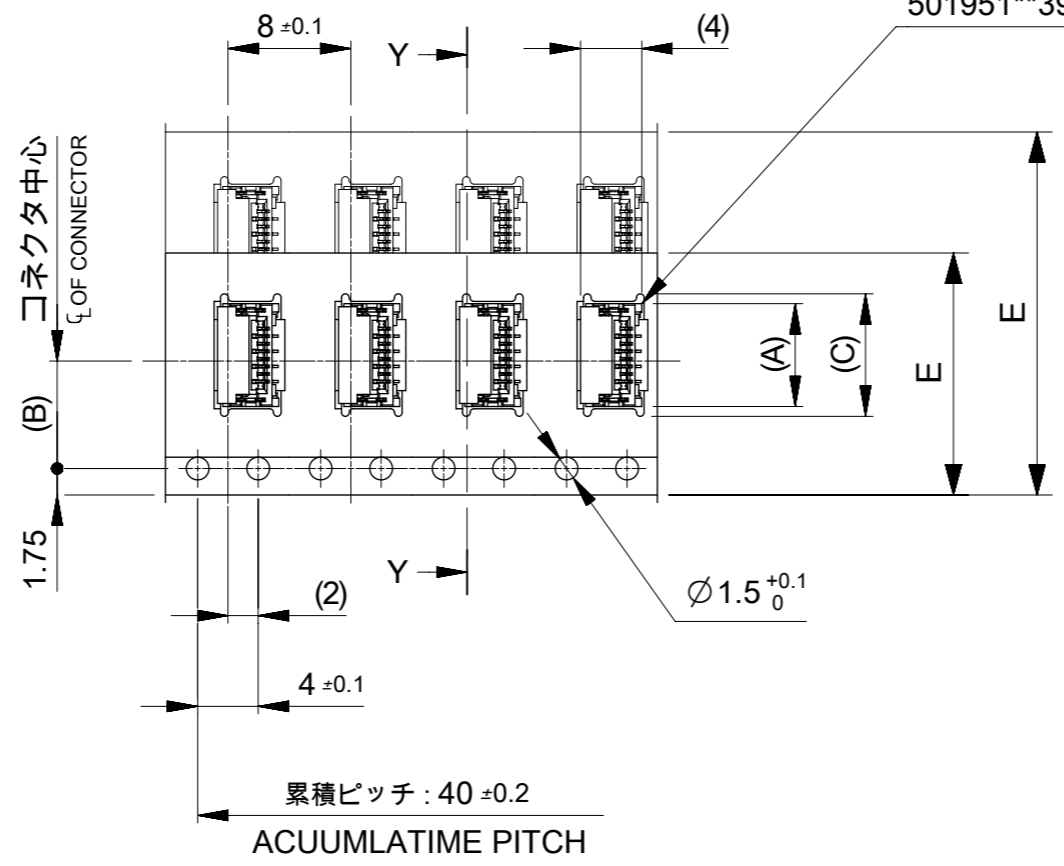
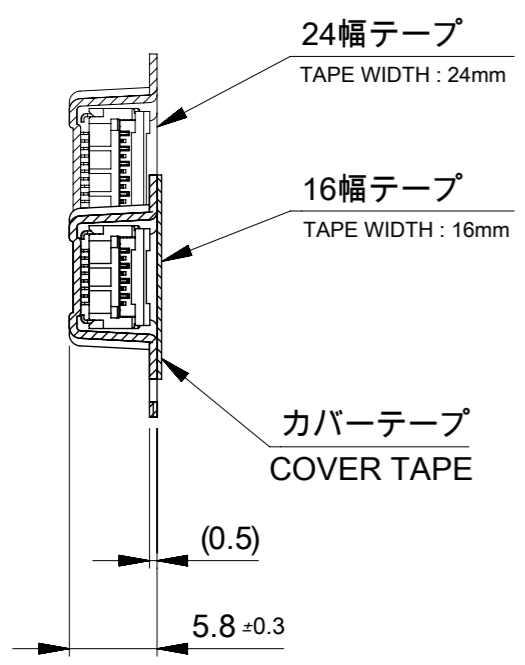
| | | | | | | | | | | |
|---|---------|----------------------------|---------|--------|-----------------|----------|--|----------|---|--------|
| THIS DRAWING CONTAINS INFORMATION THAT IS PROPRIETARY TO MOLEX ELECTRONIC TECHNOLOGIES, LLC AND SHOULD NOT BE USED WITHOUT WRITTEN PERMISSION | | | | | | | | | | |
| DIMENSION UNITS | SCALE | CURRENT REV DESC: | | | | | molex | | | |
| mm | 1:1 | | | | | | | | | |
| GENERAL TOLERANCES (UNLESS SPECIFIED) | | EC NO: 611684 | | | | | 0.5 FPC CONN. EMBSTP PKG EASY ON VERTICAL (LOW-HALOGEN) | | | |
| ANGULAR TOL | ± 1.0 ° | DRWN: SKAWAKAMI 2019/02/07 | | | | | PRODUCT CUSTOMER DRAWING | | | |
| 4 PLACES | ± 0.2 | CHK'D: TRSUZUKI 2019/02/07 | | | | | DOCUMENT NUMBER | | | |
| 3 PLACES | ± 0.2 | APPR: RTAKEUCHI 2019/02/08 | | | | | 5019510005-SD | | | |
| 2 PLACES | ± 0.2 | INITIAL REVISION: | | | | | DOC TYPE | | | |
| 1 PLACE | ± 0.25 | DRWN: SKAWAKAMI 2019/01/28 | | | | | PSD | | | |
| 0 PLACES | ± 0.3 | APPR: RTAKEUCHI 2019/02/01 | | | | | DOC PART | | | |
| DRAFT WHERE APPLICABLE MUST REMAIN WITHIN DIMENSIONS | | THIRD ANGLE PROJECTION | DRAWING | SERIES | MATERIAL NUMBER | CUSTOMER | | REVISION | | |
| | | | A3-SIZE | 501951 | SEE TABLE | | | 000 | B | 1 OF 3 |

E

E

引き出し方向
PULL DIRECTION

CONNECTOR SERIES No.
501951**39



| | | | | | | | |
|------|------|----------------------------|------|------|----------------------------|------------|----------|
| 29.4 | 25.4 | 24 | 11.5 | 15.1 | 14.1 | 5019512230 | 22 |
| | | | | 14.6 | 13.6 | 5019512130 | 21 |
| | | | | 14.1 | 13.1 | 5019512030 | 20 |
| | | | | 13.6 | 12.6 | 5019511930 | 19 |
| | | | | 13.1 | 12.1 | 5019511830 | 18 |
| | | | | 12.6 | 11.6 | 5019511730 | 17 |
| | | | | 12.1 | 11.1 | 5019511630 | 16 |
| | | | | 11.6 | 10.6 | 5019511530 | 15 |
| | | | | 11.1 | 10.1 | 5019511430 | 14 |
| | | | | 10.6 | 9.6 | 5019511330 | 13 |
| | | | | 10.1 | 9.1 | 5019511230 | 12 |
| 21.4 | 17.4 | 16 | 7.5 | 9.6 | 8.6 | 5019511130 | 11 |
| | | | | 9.1 | 8.1 | 5019511030 | 10 |
| | | | | 8.6 | 7.6 | 5019510930 | 9 |
| | | | | 8.1 | 7.1 | 5019510830 | 8 |
| | | | | 7.6 | 6.6 | 5019510730 | 7 |
| G | F | E CARRIER TAPE WIDTH | D | 7.1 | 6.1 | 5019510630 | 6 |
| | | | | 6.6 | 5.6 | 5019510530 | 5 |
| | | | | 6.1 | 5.1 | 5019510430 | 4 |
| | | | | (A) | EMBOSSED PACKAGE ORDER NO. | | CIRCUITS |

THIS DRAWING CONTAINS INFORMATION THAT IS PROPRIETARY TO MOLEX ELECTRONIC TECHNOLOGIES, LLC AND SHOULD NOT BE USED WITHOUT WRITTEN PERMISSION

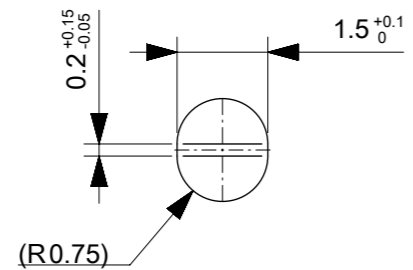
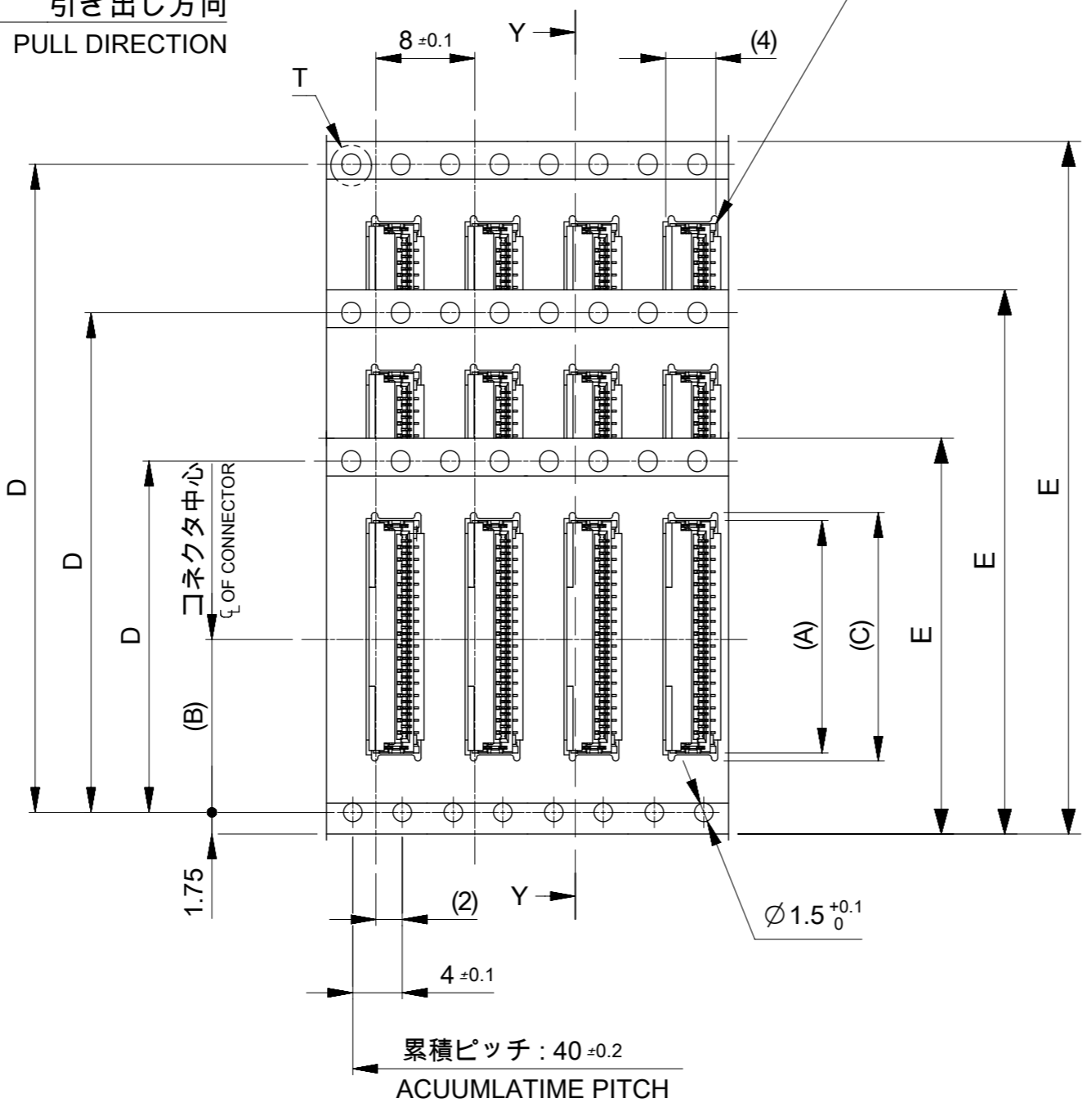
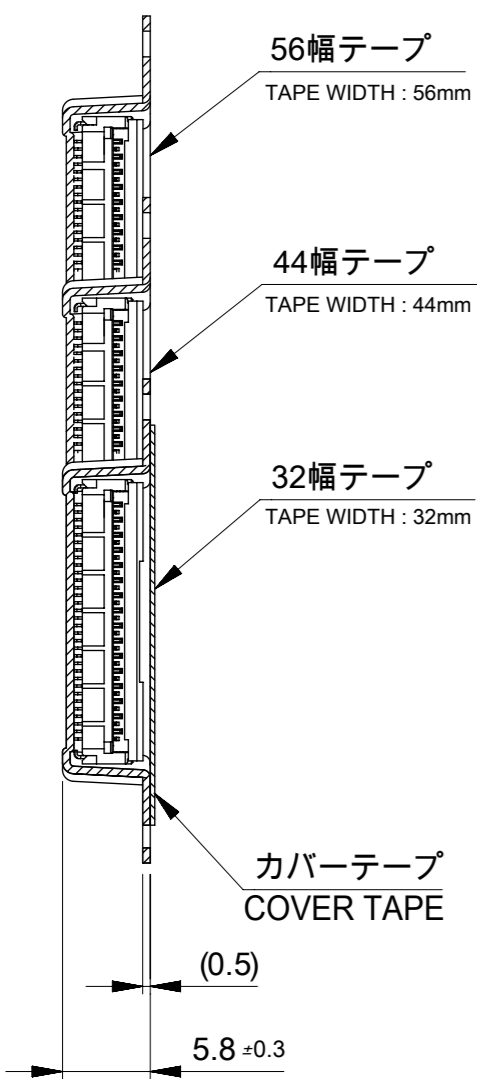
| | | | | | | |
|--|---------------------|----------------------------|---------|--------------------------|-----------------|----------|
| DIMENSION UNITS mm | SCALE 1:1 | CURRENT REV DESC: | | molex | | |
| GENERAL TOLERANCES (UNLESS SPECIFIED) | | EC NO: 611684 | | | | |
| ANGULAR TOL | ± 1.0 ° | DRWN: SKAWAKAMI 2019/02/07 | | PRODUCT CUSTOMER DRAWING | | |
| 4 PLACES | ± 0.2 | CHK'D: TRSUZUKI 2019/02/07 | | DOCUMENT NUMBER | | |
| 3 PLACES | ± 0.2 | APPR: RTAKEUCHI 2019/02/08 | | 5019510005-SD | | |
| 2 PLACES | ± 0.2 | INITIAL REVISION: | | DOC TYPE | DOC PART | REVISION |
| 1 PLACE | ± 0.25 | DRWN: SKAWAKAMI 2019/01/28 | | PSD | 000 | B |
| 0 PLACES | ± 0.3 | APPR: RTAKEUCHI 2019/02/01 | | SHEET NUMBER | | |
| DRAFT WHERE APPLICABLE MUST REMAIN WITHIN DIMENSIONS | | THIRD ANGLE PROJECTION | DRAWING | SERIES | MATERIAL NUMBER | CUSTOMER |
| | | | A3-SIZE | 501951 | SEE TABLE | 2 OF 3 |

A

A

CONNECTOR SERIES NO.
501951**39

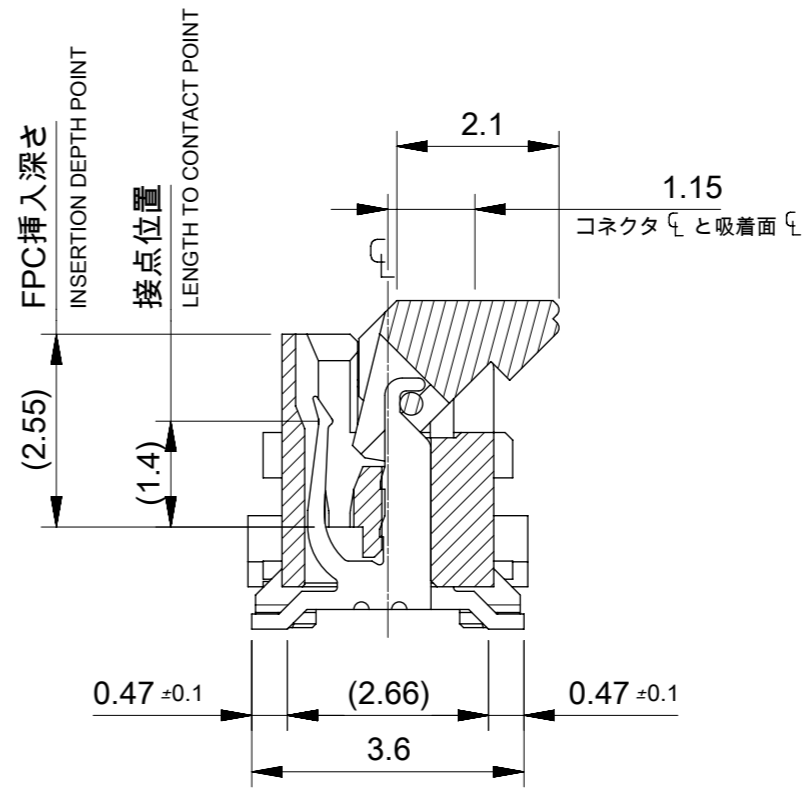
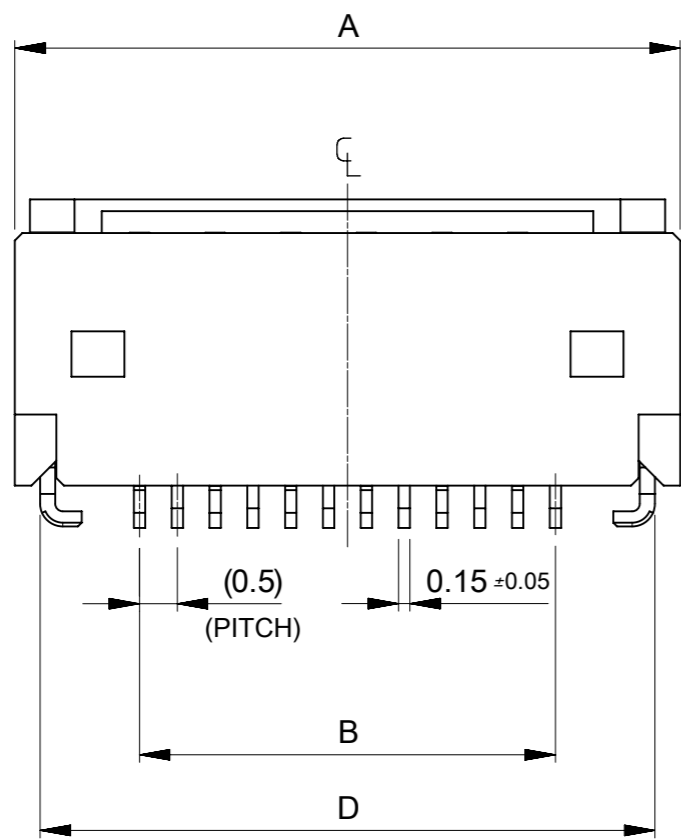
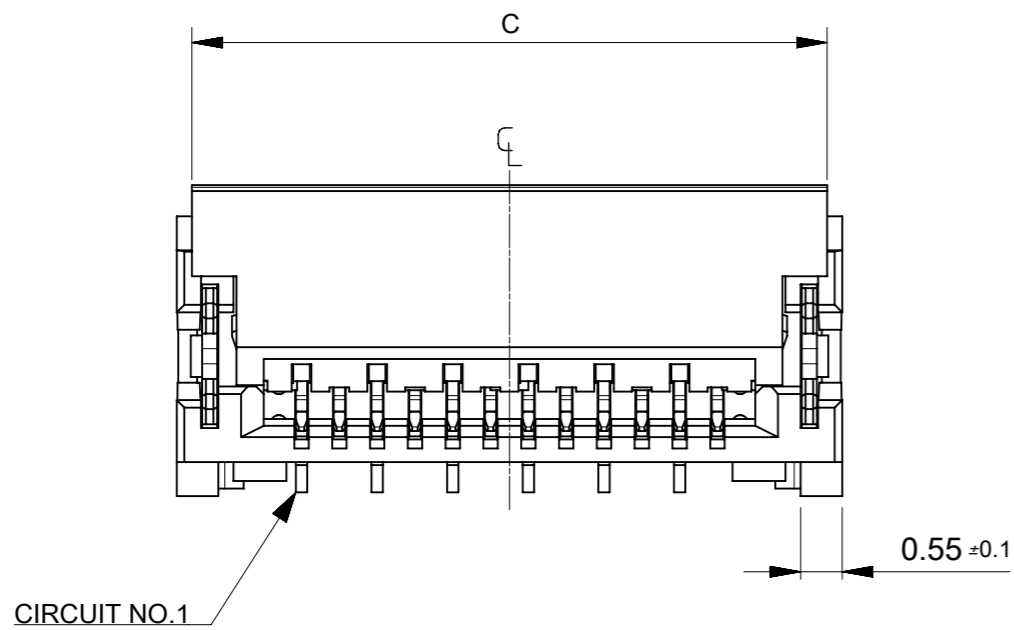
引き出し方向
PULL DIRECTION



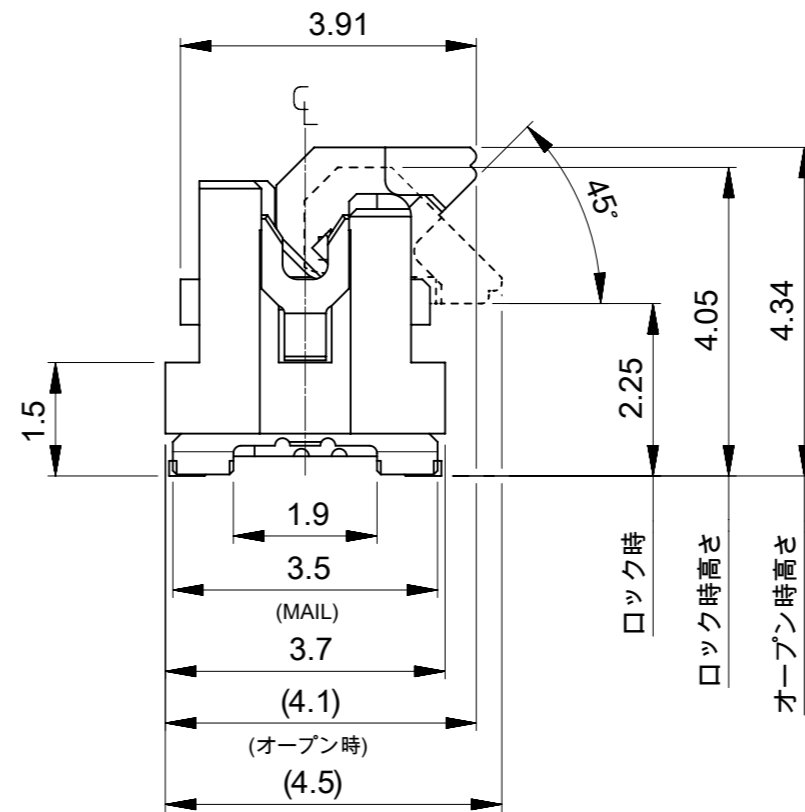
| | | | | | | | | |
|------|------|----------------------------|------|------|------|------|-------------------------------|----------|
| 61.4 | 57.4 | 56 | 52.4 | 26.2 | 39.1 | 38.1 | 5019517030 | 70 |
| | | | | | 34.1 | 33.1 | 5019516030 | 60 |
| | | | | | 33.6 | 32.6 | 5019515930 | 59 |
| | | | | | 33.1 | 32.1 | 5019515830 | 58 |
| 49.4 | 45.4 | 44 | 40.4 | 20.2 | 32.6 | 31.6 | 5019515730 | 57 |
| | | | | | 32.1 | 31.1 | 5019515630 | 56 |
| | | | | | 31.6 | 30.6 | 5019515530 | 55 |
| | | | | | 31.1 | 30.1 | 5019515430 | 54 |
| | | | | | 30.6 | 29.6 | 5019515330 | 53 |
| | | | | | 30.1 | 29.1 | 5019515230 | 52 |
| | | | | | 29.6 | 28.6 | 5019515130 | 51 |
| | | | | | 29.1 | 28.1 | 5019515030 | 50 |
| | | | | | 28.6 | 27.6 | 5019514930 | 49 |
| | | | | | 28.1 | 27.1 | 5019514830 | 48 |
| | | | | | 27.6 | 26.6 | 5019514730 | 47 |
| | | | | | 27.1 | 26.1 | 5019514630 | 46 |
| | | | | | 26.6 | 25.6 | 5019514530 | 45 |
| | | | | | 26.1 | 25.1 | 5019514430 | 44 |
| | | | | | 25.6 | 24.6 | 5019514330 | 43 |
| | | | | | 25.1 | 24.1 | 5019514230 | 42 |
| 24.6 | 23.6 | 5019514130 | 41 | | | | | |
| 24.1 | 23.1 | 5019514030 | 40 | | | | | |
| 23.6 | 22.6 | 5019513930 | 39 | | | | | |
| 23.1 | 22.1 | 5019513830 | 38 | | | | | |
| 22.6 | 21.6 | 5019513730 | 37 | | | | | |
| 22.1 | 21.1 | 5019513630 | 36 | | | | | |
| 21.6 | 20.6 | 5019513530 | 35 | | | | | |
| 21.1 | 20.1 | 5019513430 | 34 | | | | | |
| 20.6 | 19.6 | 5019513330 | 33 | | | | | |
| 37.4 | 33.4 | 32 | 28.4 | 14.2 | 20.1 | 19.1 | 5019513230 | 32 |
| | | | | | 19.6 | 18.6 | 5019513130 | 31 |
| | | | | | 19.1 | 18.1 | 5019513030 | 30 |
| | | | | | 18.6 | 17.6 | 5019512930 | 29 |
| | | | | | 18.1 | 17.1 | 5019512830 | 28 |
| | | | | | 17.6 | 16.6 | 5019512730 | 27 |
| | | | | | 17.1 | 16.1 | 5019512630 | 26 |
| | | | | | 16.6 | 15.6 | 5019512530 | 25 |
| | | | | | 16.1 | 15.1 | 5019512430 | 24 |
| | | | | | 15.6 | 14.6 | 5019512330 | 23 |
| G | F | E CARRIER TAPE WIDTH | D | (C) | (B) | (A) | EMBOSSED PACKAGE ORDER NO. | CIRCUITS |

THIS DRAWING CONTAINS INFORMATION THAT IS PROPRIETARY TO MOLEX ELECTRONIC TECHNOLOGIES, LLC AND SHOULD NOT BE USED WITHOUT WRITTEN PERMISSION

| | | | | | | | |
|--|--------------|------------------------|------------|--------------------------|-----------------|----------|--|
| DIMENSION UNITS mm | SCALE 1:1 | CURRENT REV DESC: | | molex | | | |
| GENERAL TOLERANCES (UNLESS SPECIFIED) | | EC NO: 611684 | | | | | 0.5 FPC CONN. EMBSTP PKG EASY ON VERTICAL (LOW-HALOGEN) |
| ANGULAR TOL | ± 1.0 ° | DRWN: SKAWAKAMI | 2019/02/07 | PRODUCT CUSTOMER DRAWING | | | |
| 4 PLACES | ± 0.2 | CHK'D: TRSUZUKI | 2019/02/07 | DOCUMENT NUMBER | | | |
| 3 PLACES | ± 0.2 | APPR: RTAKEUCHI | 2019/02/08 | 5019510005-SD | | | |
| 2 PLACES | ± 0.2 | INITIAL REVISION: | | DOC TYPE | DOC PART | REVISION | |
| 1 PLACE | ± 0.25 | DRWN: SKAWAKAMI | 2019/01/28 | PSD | 000 | B | |
| 0 PLACES | ± 0.3 | APPR: RTAKEUCHI | 2019/02/01 | SHEET NUMBER | | | |
| DRAFT WHERE APPLICABLE MUST REMAIN WITHIN DIMENSIONS | | THIRD ANGLE PROJECTION | DRAWING | SERIES | MATERIAL NUMBER | CUSTOMER | SHEET NUMBER |
| | | | A3-SIZE | 501951 | SEE TABLE | | 3 OF 3 |



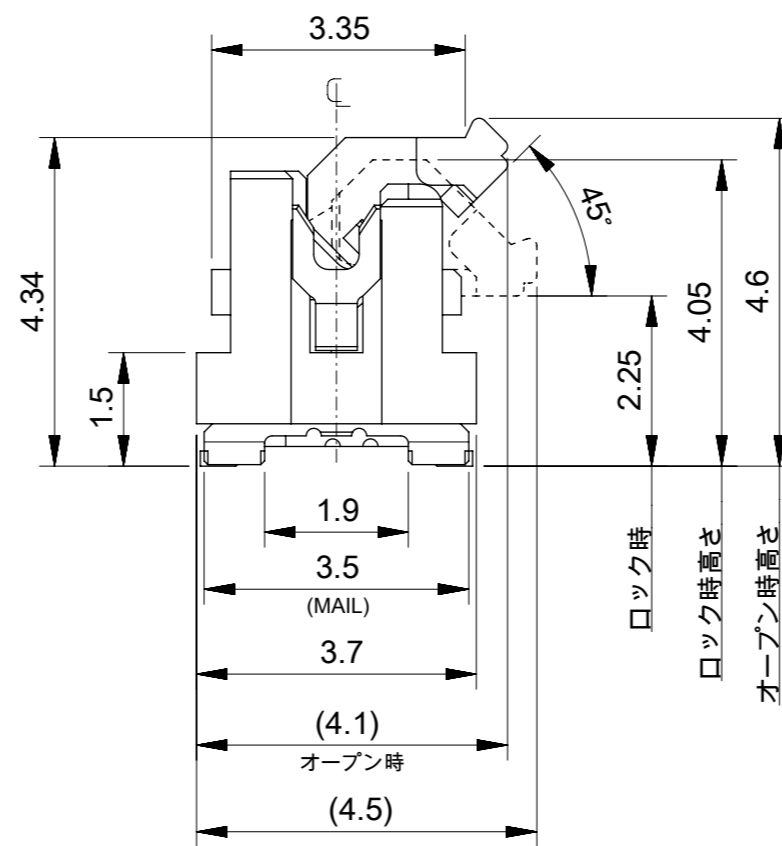
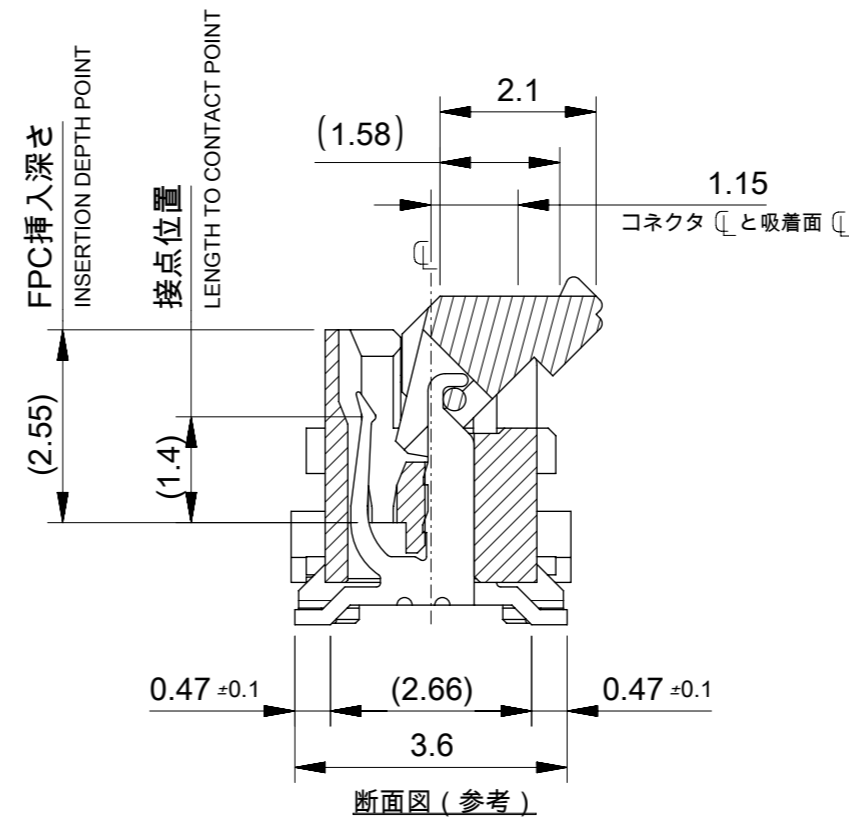
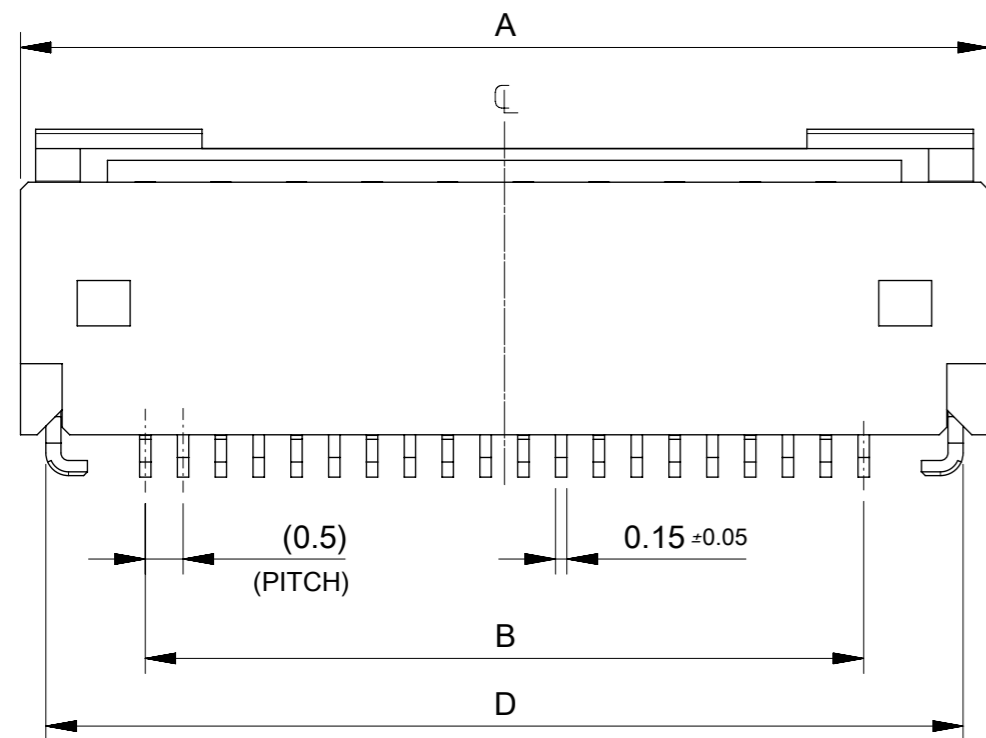
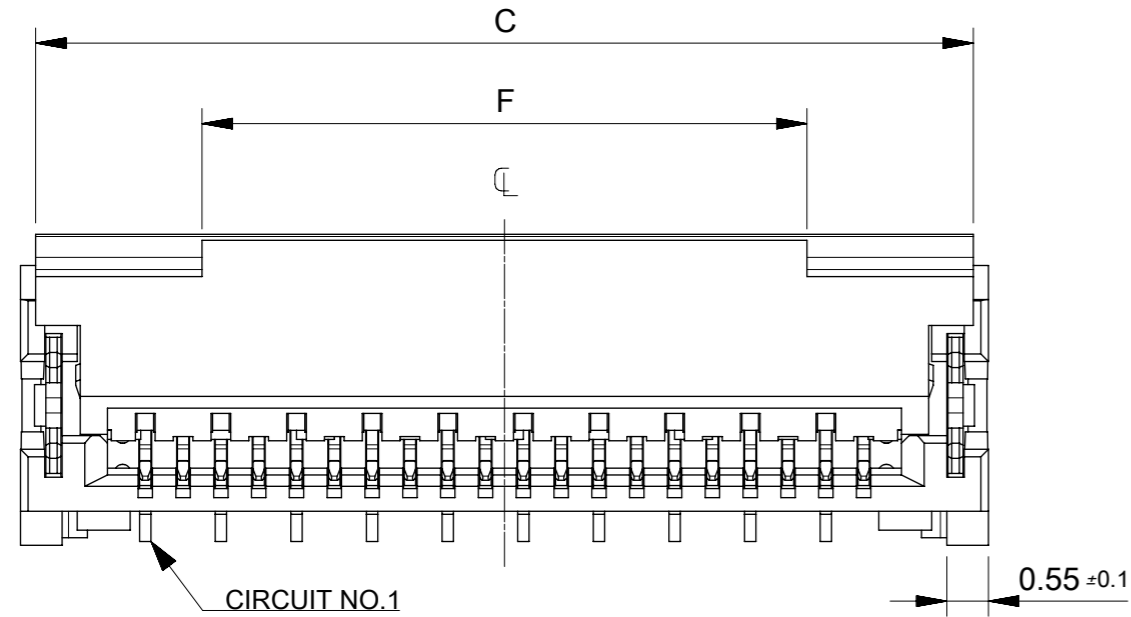
断面図 (参考)



| | | | | | | |
|-----|-----|-----|-----|-----|-------------------------|----------|
| 7.7 | 9.1 | 9.4 | 6.5 | 9.8 | 5019511430 | 14 |
| 7.2 | 8.6 | 8.9 | 6 | 9.3 | 5019511330 | 13 |
| 6.7 | 8.1 | 8.4 | 5.5 | 8.8 | 5019511230 | 12 |
| 6.2 | 7.6 | 7.9 | 5 | 8.3 | 5019511130 | 11 |
| 5.7 | 7.1 | 7.4 | 4.5 | 7.8 | 5019511030 | 10 |
| 5.2 | 6.6 | 6.9 | 4 | 7.3 | 5019510930 | 9 |
| 4.7 | 6.1 | 6.4 | 3.5 | 6.8 | 5019510830 | 8 |
| 4.2 | 5.6 | 5.9 | 3 | 6.3 | 5019510730 | 7 |
| 3.7 | 5.1 | 5.4 | 2.5 | 5.8 | 5019510630 | 6 |
| 3.2 | 4.6 | 4.9 | 2 | 5.3 | 5019510530 | 5 |
| 2.7 | 4.1 | 4.4 | 1.5 | 4.8 | 5019510430 | 4 |
| E | D | C | B | A | EMBOSSED TAPE ORDER NO. | CIRCUITS |

THIS DRAWING CONTAINS INFORMATION THAT IS PROPRIETARY TO MOLEX ELECTRONIC TECHNOLOGIES, LLC AND SHOULD NOT BE USED WITHOUT WRITTEN PERMISSION

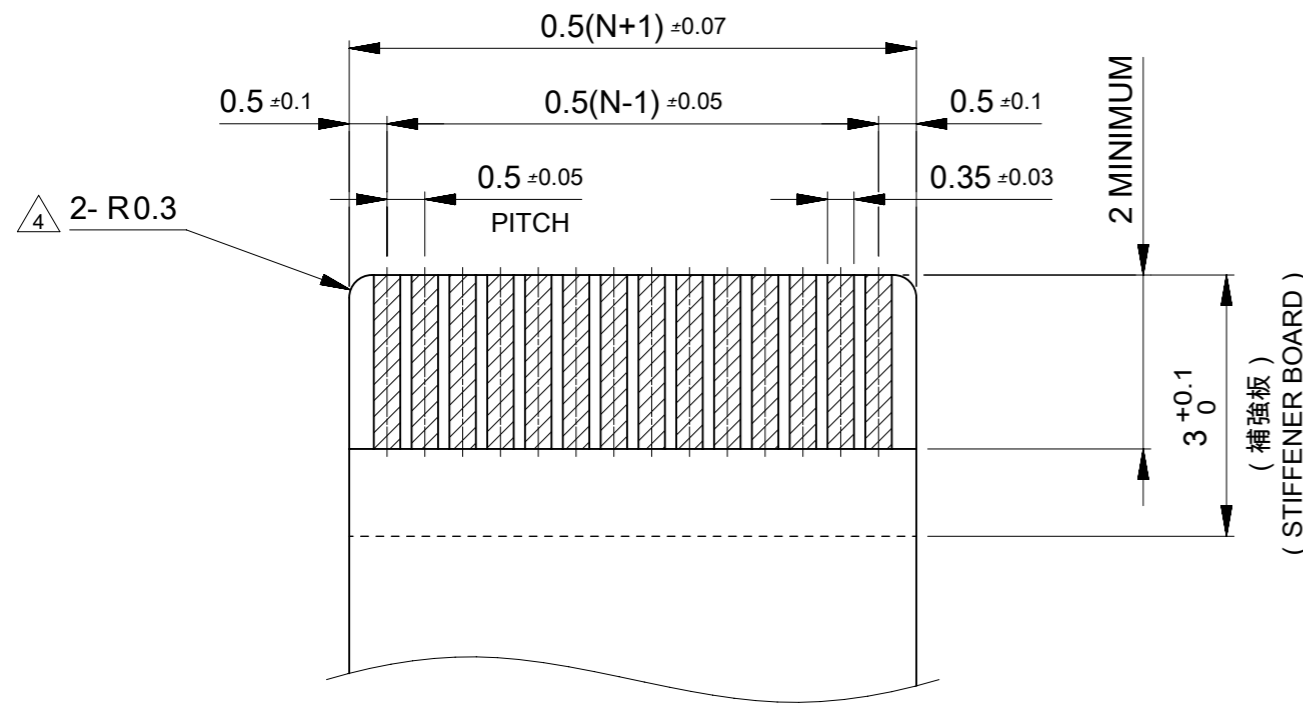
| | | | | | | | |
|--|--------|---|---------|--------|-----------------|----------|--------------|
| DIMENSION UNITS | SCALE | CURRENT REV DESC: | | | | | |
| mm | 10:1 | | | | | | |
| GENERAL TOLERANCES (UNLESS SPECIFIED) | | molex 0.5 FPC CONN. HSG ASSY EASY ON VERTICAL (LOW-HALOGEN) PRODUCT CUSTOMER DRAWING | | | | | |
| ANGULAR TOL | ± 1.0° | | | | | | |
| 4 PLACES | ± 0.2 | | | | | | |
| 3 PLACES | ± 0.2 | | | | | | |
| 2 PLACES | ± 0.2 | | | | | | |
| 1 PLACE | ± 0.2 | EC NO: 611684 DRWN: SKAWAKAMI 2019/02/07 CHK'D: TRSUZUKI 2019/02/07 APPR: RTAKEUCHI 2019/02/08 | | | | | |
| 0 PLACES | ± 0.2 | INITIAL REVISION: DRWN: SKAWAKAMI 2018/11/26 APPR: RTAKEUCHI 2019/02/01 | | | | | |
| DRAFT WHERE APPLICABLE MUST REMAIN WITHIN DIMENSIONS | | THIRD ANGLE PROJECTION | DRAWING | SERIES | MATERIAL NUMBER | CUSTOMER | SHEET NUMBER |
| | | | A3-SIZE | 501951 | SEE CHART | | 1 OF 4 |



| | | | | | | | |
|------|------|------|------|------|------------|----------------------------|----------|
| 35.7 | 37.1 | 37.4 | 34.5 | 37.8 | 5019517030 | 70 | |
| 30.7 | 32.1 | 32.4 | 29.5 | 32.8 | 5019516030 | 60 | |
| 30.2 | 31.6 | 31.9 | 29 | 32.3 | 5019515930 | 59 | |
| 29.7 | 31.1 | 31.4 | 28.5 | 31.8 | 5019515830 | 58 | |
| 29.2 | 30.6 | 30.9 | 28 | 31.3 | 5019515730 | 57 | |
| 28.7 | 30.1 | 30.4 | 27.5 | 30.8 | 5019515630 | 56 | |
| 28.2 | 29.6 | 29.9 | 27 | 30.3 | 5019515530 | 55 | |
| 27.7 | 29.1 | 29.4 | 26.5 | 29.8 | 5019515430 | 54 | |
| 27.2 | 28.6 | 28.9 | 26 | 29.3 | 5019515330 | 53 | |
| 26.7 | 28.1 | 28.4 | 25.5 | 28.8 | 5019515230 | 52 | |
| 26.2 | 27.6 | 27.9 | 25 | 28.3 | 5019515130 | 51 | |
| 25.7 | 27.1 | 27.4 | 24.5 | 27.8 | 5019515030 | 50 | |
| 25.2 | 26.6 | 26.9 | 24 | 27.3 | 5019514930 | 49 | |
| 24.7 | 26.1 | 26.4 | 23.5 | 26.8 | 5019514830 | 48 | |
| 24.2 | 25.6 | 25.9 | 23 | 26.3 | 5019514730 | 47 | |
| 23.7 | 25.1 | 25.4 | 22.5 | 25.8 | 5019514630 | 46 | |
| 23.2 | 24.6 | 24.9 | 22 | 25.3 | 5019514530 | 45 | |
| 22.7 | 24.1 | 24.4 | 21.5 | 24.8 | 5019514430 | 44 | |
| 22.2 | 23.6 | 23.9 | 21 | 24.3 | 5019514330 | 43 | |
| 21.7 | 23.1 | 23.4 | 20.5 | 23.8 | 5019514230 | 42 | |
| 21.2 | 22.6 | 22.9 | 20 | 23.3 | 5019514130 | 41 | |
| 20.7 | 22.1 | 22.4 | 19.5 | 22.8 | 5019514030 | 40 | |
| 20.2 | 21.6 | 21.9 | 19 | 22.3 | 5019513930 | 39 | |
| 19.7 | 21.1 | 21.4 | 18.5 | 21.8 | 5019513830 | 38 | |
| 19.2 | 20.6 | 20.9 | 18 | 21.3 | 5019513730 | 37 | |
| 18.7 | 20.1 | 20.4 | 17.5 | 20.8 | 5019513630 | 36 | |
| 18.2 | 19.6 | 19.9 | 17 | 20.3 | 5019513530 | 35 | |
| 17.7 | 19.1 | 19.4 | 16.5 | 19.8 | 5019513430 | 34 | |
| 17.2 | 18.6 | 18.9 | 16 | 19.3 | 5019513330 | 33 | |
| 16.7 | 18.1 | 18.4 | 15.5 | 18.8 | 5019513230 | 32 | |
| 16.2 | 17.6 | 17.9 | 15 | 18.3 | 5019513130 | 31 | |
| 15.7 | 17.1 | 17.4 | 14.5 | 17.8 | 5019513030 | 30 | |
| 15.2 | 16.6 | 16.9 | 14 | 17.3 | 5019512930 | 29 | |
| 14.7 | 16.1 | 16.4 | 13.5 | 16.8 | 5019512830 | 28 | |
| 14.2 | 15.6 | 15.9 | 13 | 16.3 | 5019512730 | 27 | |
| 13.7 | 15.1 | 15.4 | 12.5 | 15.8 | 5019512630 | 26 | |
| 13.2 | 14.6 | 14.9 | 12 | 15.3 | 5019512530 | 25 | |
| 12.7 | 14.1 | 14.4 | 11.5 | 14.8 | 5019512430 | 24 | |
| 12.2 | 13.6 | 13.9 | 11 | 14.3 | 5019512330 | 23 | |
| 11.7 | 13.1 | 13.4 | 10.5 | 13.8 | 5019512230 | 22 | |
| 11.2 | 12.6 | 12.9 | 10 | 13.3 | 5019512130 | 21 | |
| 10.7 | 12.1 | 12.4 | 9.5 | 12.8 | 5019512030 | 20 | |
| 10.2 | 11.6 | 11.9 | 9 | 12.3 | 5019511930 | 19 | |
| 9.7 | 11.1 | 11.4 | 8.5 | 11.8 | 5019511830 | 18 | |
| 9.2 | 10.6 | 10.9 | 8 | 11.3 | 5019511730 | 17 | |
| 8.7 | 10.1 | 10.4 | 7.5 | 10.8 | 5019511630 | 16 | |
| 8.2 | 9.6 | 9.9 | 7 | 10.3 | 5019511530 | 15 | |
| F | E | D | C | B | A | EMBOSSED PACKAGE ORDER NO. | CIRCUITS |

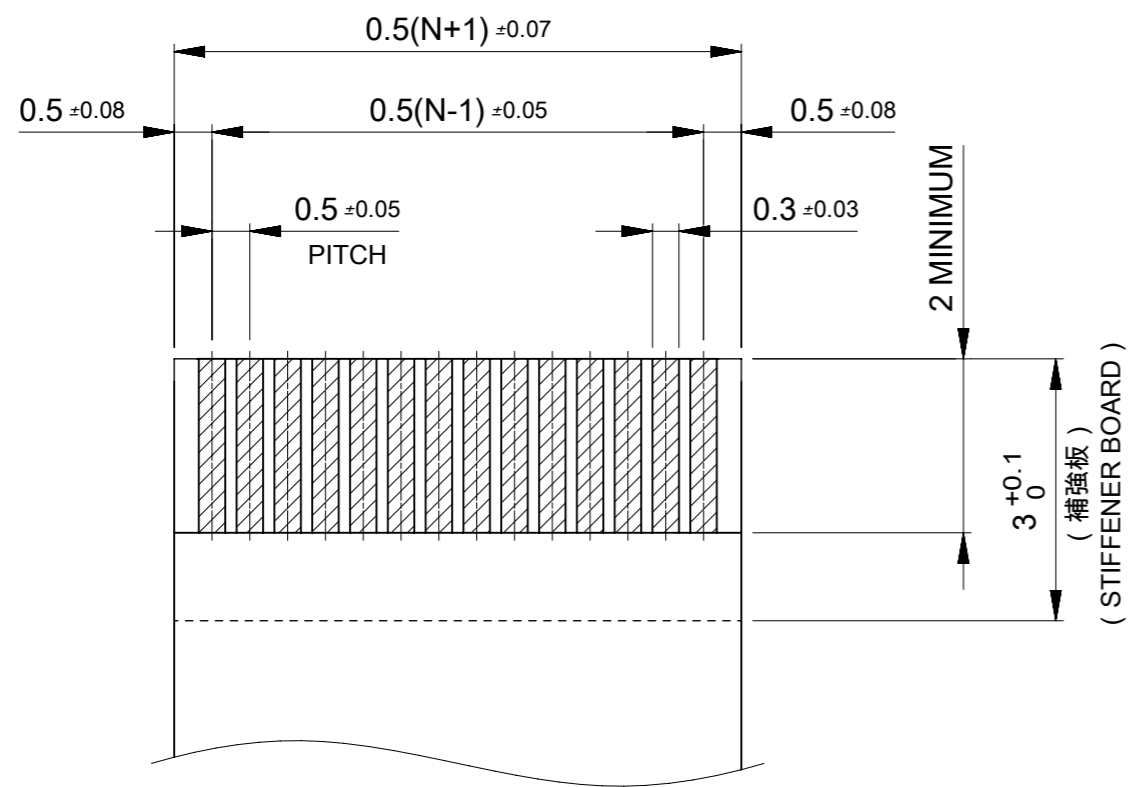
THIS DRAWING CONTAINS INFORMATION THAT IS PROPRIETARY TO MOLEX ELECTRONIC TECHNOLOGIES, LLC AND SHOULD NOT BE USED WITHOUT WRITTEN PERMISSION

| | | | | | | | |
|--|--------|------------------------|------------|--|-----------------|----------|---------------|
| DIMENSION UNITS | SCALE | CURRENT REV DESC: | | molex | | | |
| mm | 10:1 | | | | | | |
| GENERAL TOLERANCES (UNLESS SPECIFIED) | | EC NO: 611684 | | 0.5 FPC CONN. HSG ASSY EASY ON VERTICAL (LOW-HALOGEN) | | | |
| ANGULAR TOL | ± 1.0° | DRWN: SKAWAKAMI | 2019/02/07 | | | | |
| 4 PLACES | ± 0.2 | CHK'D: TRSUZUKI | 2019/02/07 | PRODUCT CUSTOMER DRAWING | | | |
| 3 PLACES | ± 0.2 | APPR: RTAKEUCHI | 2019/02/08 | | | | |
| 2 PLACES | ± 0.2 | INITIAL REVISION: | | DOCUMENT NUMBER | | | |
| 1 PLACE | ± 0.2 | DRWN: SKAWAKAMI | 2018/11/26 | | | | 5019511005-SD |
| 0 PLACES | ± 0.2 | APPR: RTAKEUCHI | 2019/02/01 | DOC TYPE | DOC PART | REVISION | |
| DRAFT WHERE APPLICABLE MUST REMAIN WITHIN DIMENSIONS | | THIRD ANGLE PROJECTION | DRAWING | SERIES | MATERIAL NUMBER | CUSTOMER | SHEET NUMBER |
| | | | A3-SIZE | 501951 | SEE CHART | | 2 OF 4 |



適合FPC推奨寸法
APPLICABLE FPC
RECOMMENDED DIMENSION
(仕上がり厚さ : 0.3±0.05)
(THICKNESS : 0.3±0.05)

N : 極数
N : CIRCUITS



適合FFC推奨寸法
APPLICABLE FFC
RECOMMENDED DIMENSION
(仕上がり厚さ : 0.3±0.05)
(THICKNESS : 0.3±0.05)

N : 極数
N : CIRCUITS

めっき : 金めっき (0.1µm以上)
PLATING : GOLD (0.1µm MINIMUM)
: 下地ニッケル (1-5µm)
: NICKEL UNDER (1-5µm)

カバーレイ : ポリイミド (25µm)
COVER FILM : POLYIMIDE (25µm)
熱硬化接着剤
THERMOSETTING ADHESIVE
導体部 : 銅箔 (35µm)
CONDUCTOR : COPPER FOIL (35µm)
熱硬化接着剤
THERMOSETTING ADHESIVE
ベースフィルム : ポリイミド (25µm)
BASE FILM : POLYIMIDE (25µm)
熱硬化接着剤
THERMOSETTING ADHESIVE
補強板 : ポリイミド
STIFFENER : POLYIMIDE

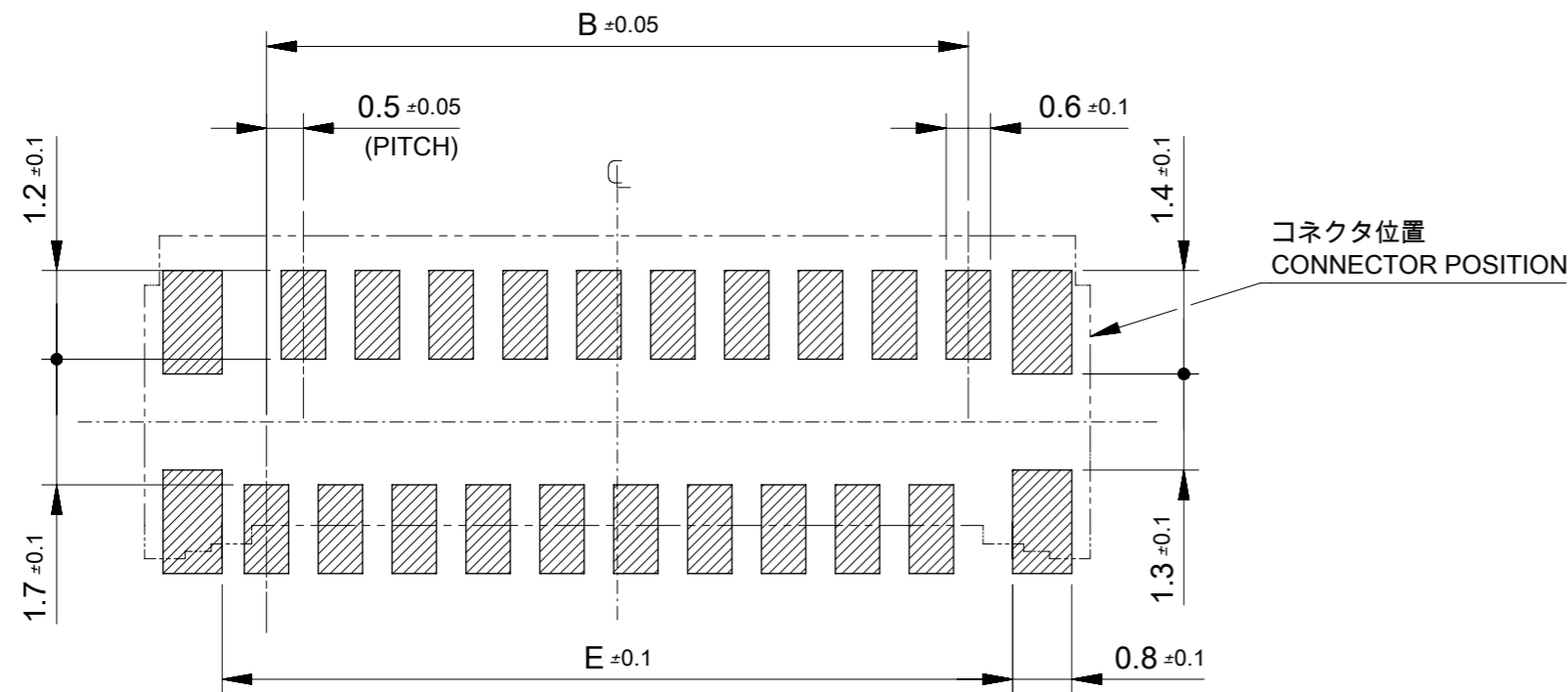
FPC構成推奨仕様
STRUCTURE OF FPC

めっき : 金めっき (0.1µm以上)
PLATING : GOLD (0.1µm MINIMUM)
: 下地ニッケル (1-5µm)
: NICKEL UNDER (1-5µm)

絶縁テープ : ポリエステル系 (25µm)
INSULATING FILM : PET (25µm)
接着剤 (難燃ポリエステル系)
ADHESIVE (FLAME-RETARDANT POLYESTER ADHESIVE)
導体部 : 銅箔 (35µm or 50µm)
CONDUCTOR : COPPER FOIL (35µm or 50µm)
接着剤 (難燃ポリエステル系)
ADHESIVE (FLAME-RETARDANT POLYESTER ADHESIVE)
絶縁テープ : ポリエステル系 (25µm)
INSULATING FILM : PET (25µm)
接着剤 (難燃ポリエステル系)
ADHESIVE (FLAME-RETARDANT POLYESTER ADHESIVE)
補強板 : ポリエステル系
STIFFENER : PET

FFC構成推奨仕様
STRUCTURE OF FFC

| | | | | | | | | | | |
|---|--|--|--|-------------------|--|-----------------|--|--------------------------|--|--|
| THIS DRAWING CONTAINS INFORMATION THAT IS PROPRIETARY TO MOLEX ELECTRONIC TECHNOLOGIES, LLC AND SHOULD NOT BE USED WITHOUT WRITTEN PERMISSION | | | | | | | | | | |
| DIMENSION UNITS mm | | SCALE 10:1 | | CURRENT REV DESC: | | | | molex | | 0.5 FPC CONN. HSG ASSY EASY ON VERTICAL (LOW-HALOGEN) |
| GENERAL TOLERANCES (UNLESS SPECIFIED) | | ANGULAR TOL ± 1.0° | | EC NO: 611684 | | | | | | |
| 4 PLACES ± 0.2 | | 3 PLACES ± 0.2 | | DRWN: SKAWAKAMI | | 2019/02/07 | | PRODUCT CUSTOMER DRAWING | | |
| 2 PLACES ± 0.2 | | 1 PLACE ± 0.2 | | CHK'D: TRSUZUKI | | 2019/02/07 | | DOCUMENT NUMBER | | |
| 0 PLACES ± 0.2 | | DRAFT WHERE APPLICABLE MUST REMAIN WITHIN DIMENSIONS | | APPR: RTAKEUCHI | | 2019/02/08 | | 5019511005-SD | | |
| THIRD ANGLE PROJECTION | | DRAWING | | SERIES | | MATERIAL NUMBER | | CUSTOMER | | |
| A3-SIZE | | 501951 | | SEE CHART | | PSD | | 000 | | |
| SHEET NUMBER | | 3 OF 4 | | REVISION | | B | | | | |



参考基板レイアウト
RECOMMENDED P.C.BOARD
PATTERN DIMENSION(REF.)
(マウント面)
(MOUNTING SIDE)

マスク厚 : 100μm
マスク開口率 : 100%
SCREEN THICKNESS : 100μm
SCREEN OPEN RATIO : 100%

FPC/FFCについて ABOUT FPC/FFC

打ち抜き方向は導体側から補強板側を推奨します。
導体部については軟箔銅35μmまたは50μmを推奨します。
FFCに規定された定格温度がFFC単体前提である場合が御座います。
コネクタと組み合わせての実使用において、接着層が劣化するなどの信頼性を満足できないケースを回避するため、
実機での評価/確認をお願い致します。
RECOMMENDED PUNCHING DIRECTION: FROM CONDUCTOR SIDE TO STIFFENER SIDE
RECOMMENDED CONDUCTOR SPEC: SOFT COPPER FOIL
RECOMMENDED CONDUCTOR THICKNESS: 35 MICROMETER OR 50 MICROMETER
NOTE: WHEN ACTUALLY USING IT WITH CONNECTOR, PLEASE DO THE EVALUATION AND THE CONFIRMATION WITH AN ACTUAL EQUIPMENT TO EVADE THE CASE WHERE RELIABILITY CANNOT BE FILLED (THE ADHESIVE LINE OF FFC IS DETERIORATED ETC,)

FPCについて ABOUT FPC

補強フィルム材質はポリイミドを推奨します。ベースフィルムは25μmを推奨します。
接着剤は熱硬化接着剤を推奨します。
尚、接着剤の接点部への付着は導通不良の原因になりますので、染み出しが無い様お願い致します。
RECOMMENDED MATERIAL/THICKNESS.
RECOMMENDED STIFFENER MATERIAL: POLYIMIDE
RECOMMENDED BASE FILM THICKNESS: 25 MICROMETER
RECOMMENDED ADHESIVE: THERMOSETTING ADHESIVE
NOTE: PLEASE PUT APPROPRIATE AMOUNT OF ADHESIVE ON ADHEREND BECAUSE THERE IS A POSSIBILITY THAT THE EXTRA ADHESIVE CAUSES THE DEFECT IN ELECTRICAL CONTINUITY. THERE IS A POSSIBILITY THAT THE PRESCRIPT TEMPERATURE OF FFC IS SET TO SINGLE IT.

注記 NOTES:

1. 使用材料 MATERIAL
ハウジング : 液晶ポリマー ガラス充填, UL94V-0(白)
HOUSING : LIQUID CRYSTAL POLYMER GLASS FILLED, UL94V-0 (WHITE)
アクチュエータ : ポリアミド, ガラス充填, UL94V-0(黒)
ACTUATOR : POLYAMIDE, GLASS FILLED, UL94V-0 (BLACK)
ターミナル : りん青銅(t=0.15)
TERMINAL : PHOSPHOR BRONZE
金具 : りん青銅(t=0.2)
FITTING NAIL : PHOSPHOR BRONZE
2. めっき仕様 PLATING
ターミナル TERMINAL
コンタクト部 : 部分金めっき(0.1μm以上)
テール部 : 部分金めっき
下地 : ニッケルめっき(1.0μm以上)
CONTACT AREA : SEPARATED GOLD PLATING (0.1 MICROMETER MINIMUM)
SOLDER TAIL AREA : SEPARATED GOLD PLATING
UNDERPLATE : NICKEL OVERALL
金具 FITTING NAIL
ニッケル下地錫めっき
錫めっき(1.0μm以上)
ニッケルめっき(1.0μm以上)
TIN(Sn) OVER NICKEL(Ni) PLATING.
TIN PLATING (1.0 MICROMETER MINIMUM)
NICKEL PLATING (1.0 MICROMETER MINIMUM)
3. テールと金具を併せた平坦度は 0.1ミリメートル以下(リフロー前)
TAILS AND NAILS COPLANARITY TO BE 0.1 MAX. (BEFORE REFLOW)
4. R0.3は、FPC導体部にかからないこと。
R0.3 MUST NOT BE OVERLAPPED TO PATTERN OF FPC.

| | | | | | | | | | |
|---|--------|----------------------------|---------|--------|--|----------|--|--------------|--|
| THIS DRAWING CONTAINS INFORMATION THAT IS PROPRIETARY TO MOLEX ELECTRONIC TECHNOLOGIES, LLC AND SHOULD NOT BE USED WITHOUT WRITTEN PERMISSION | | | | | | | | | |
| DIMENSION UNITS | SCALE | CURRENT REV DESC: | | | | | | | |
| mm | 1:1 | | | | | | | | |
| GENERAL TOLERANCES (UNLESS SPECIFIED) | | EC NO: 611684 | | | 0.5 FPC CONN. HSG ASSY EASY ON VERTICAL (LOW-HALOGEN) | | | | |
| ANGULAR TOL | ± 1.0° | DRWN: SKAWAKAMI 2019/02/07 | | | | | | | |
| 4 PLACES | ± 0.2 | CHK'D: TRSUZUKI 2019/02/07 | | | PRODUCT CUSTOMER DRAWING | | | | |
| 3 PLACES | ± 0.2 | APPR: RTAKEUCHI 2019/02/08 | | | | | | | |
| 2 PLACES | ± 0.2 | INITIAL REVISION: | | | DOCUMENT NUMBER DOC TYPE DOC PART REVISION 5019511005-SD PSD 000 B | | | | |
| 1 PLACE | ± 0.2 | DRWN: SKAWAKAMI 2018/11/26 | | | | | | | |
| 0 PLACES | ± 0.2 | APPR: RTAKEUCHI 2019/02/01 | | | | | | | |
| DRAFT WHERE APPLICABLE MUST REMAIN WITHIN DIMENSIONS | | THIRD ANGLE PROJECTION | DRAWING | SERIES | MATERIAL NUMBER | CUSTOMER | | SHEET NUMBER | |
| | | | A3-SIZE | 501951 | SEE CHART | | | 4 OF 4 | |