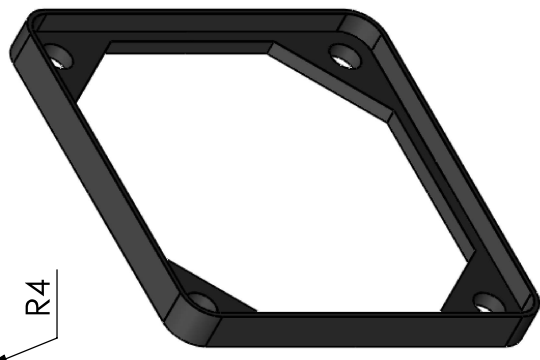
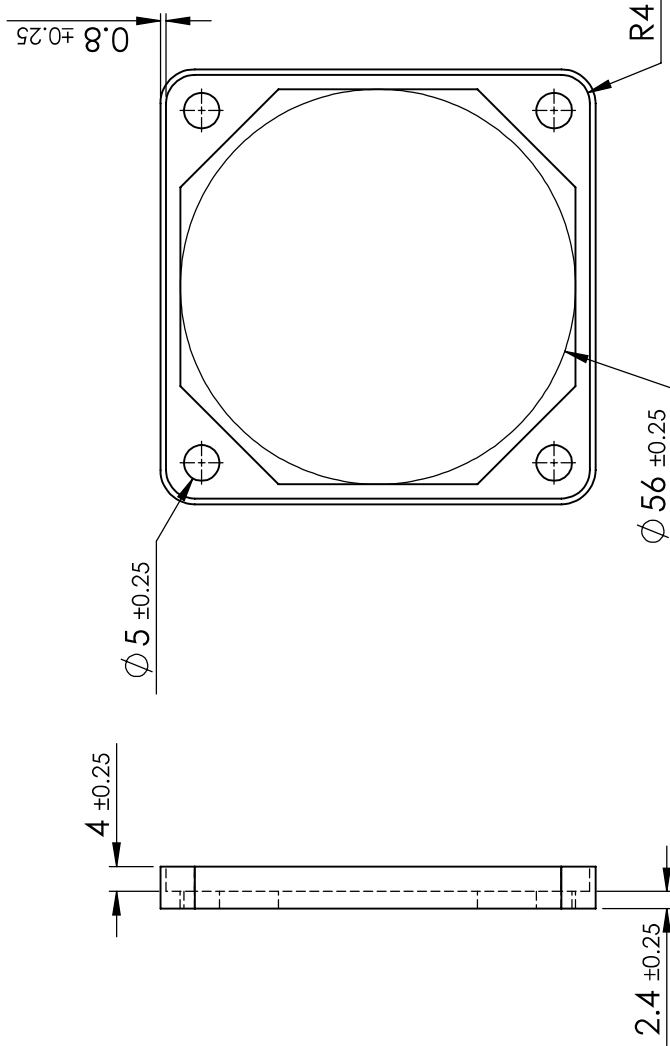


FAN SIZE 60

FAN HOLE SPACING 50



© 2013 Essentra Components. All rights reserved.
 Registered in England, Company No. 547495.
 Registered Office: Essentra plc
 Langford Locks, Kidlington, Oxford, OX5 1HX

Condition of Sale can be found on our website: essentra.com.

Essentra Components does not warrant that the files will be error free and may create new versions ("Upgrades") at any time, which may correct such errors. Essentra Components has no obligation to notify you of such upgrades. Any upgraded file will be published to the website, when it becomes available.

You are not permitted to load any of the files on to a network server for the purposes of distribution to one or more other computer(s) on that network or to effect such distribution. Essentra Components shall not be liable for any loss or damage whatsoever or however caused, arising directly or indirectly from the use of the files.

UNCONTROLLED COPY

STATUS

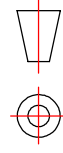
APPROVED DRAWING

UNLESS OTHERWISE STATED

ALL DIMENSIONS IN mm

DO NOT SCALE

THIRD ANGLE PROJECTION



LINEAR TOLERANCE

SIZE	(0)	(0.0)	(0.00)
0-10	±0.5	±0.15	±0.10
>10-30	±0.5	±0.20	±0.15
>30-50	±0.5	±0.30	±0.20
>50-100	±0.8	±0.50	±0.25
>100-200	±1.5	±0.80	±0.40
>200-300	±2.0	±1.20	±0.80
>300-500	±3.0	±2.00	±1.00
>500	±5.0	±3.00	±1.50

ANGULAR TOLERANCE ±0.5 DEGREES
 UNSPECIFIED RADII 0.25mm
 DRAFT ANGLE 0.5 DEGREES
 DIMENSIONS IN BRACKETS [] ARE
 IN INCHES FOR REFERENCE ONLY

CREATE DATE 09.02.2023 SEE NOTES MATERIAL

ITEM CODE 10108895 COLOUR BLACK

LEGACY NUMBER FGA-60 FINISH -

TITLE:

FAN GASKET

DWG. NO.

10108895

SCALE

1:1

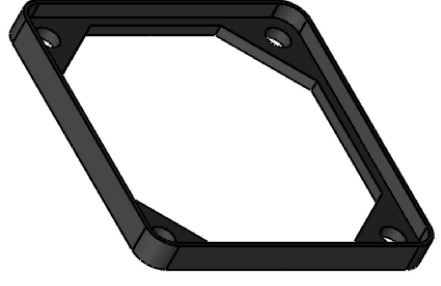
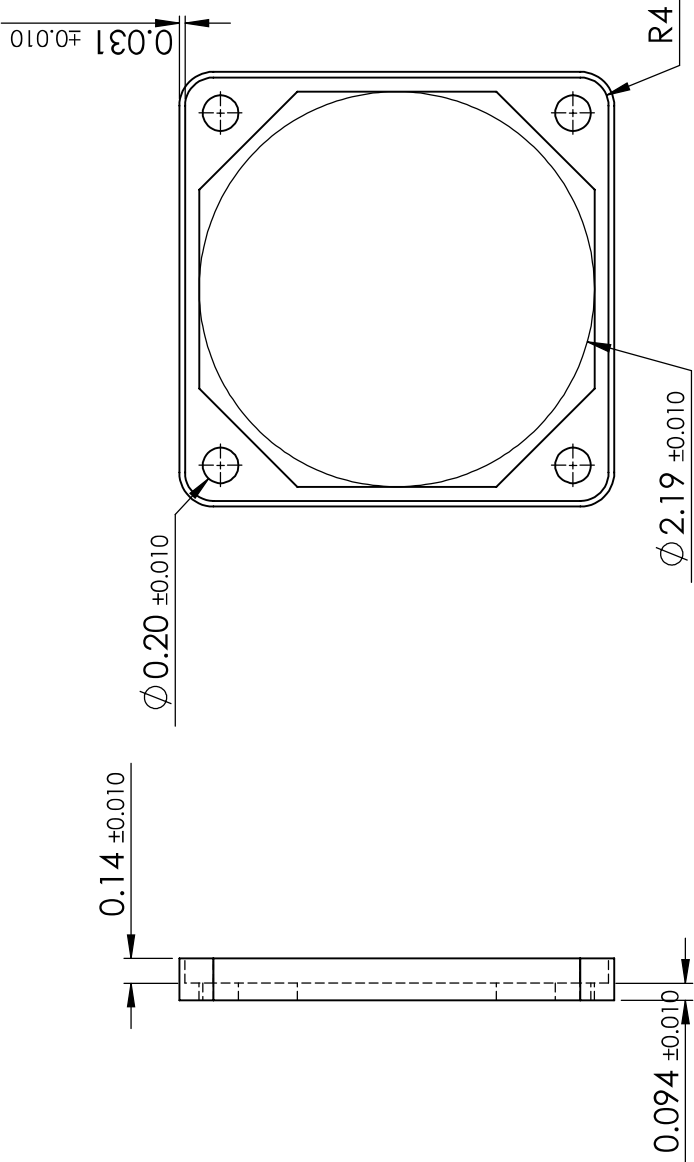
SHEET

1 of 2

ISSUE

1

FAN SIZE	2.36
FAN HOLE SPACING	1.97



© 2013 Essentra Components. All rights reserved.
 Registered in England, Company No. 547495.
 Registered Office: Essentra plc
 Langford Locks, Kidlington, Oxford, OX5 1HX

Condition of Sale can be found on our website: essentra.com.

Essentra Components does not warrant that the files will be error free and may create new versions ("Upgrades") at any time, which may correct such errors. Essentra Components has no obligation to notify you of such upgrades. Any upgraded file will be published to the website, when it becomes available.

You are not permitted to load any of the files on to a network server for the purposes of distribution to one or more other computer(s) on that network or to effect such distribution. Essentra Components shall not be liable for any loss or damage whatsoever or however caused, arising directly or indirectly from the use of the files.

UNCONTROLLED COPY

STATUS

APPROVED DRAWING

UNLESS OTHERWISE STATED

ALL DIMENSIONS IN INCHES		DO NOT SCALE
SIZE	LINEAR TOLERANCE	THIRD ANGLE PROJECTION
0 - 0.394	(0.00) ±0.020 ±0.006 ±0.004	
>0.394 - 1.181	(0.000) ±0.020 ±0.008 ±0.006	
>1.181 - 1.969	(0.000) ±0.020 ±0.012 ±0.008	
>1.969 - 3.937	(0.000) ±0.031 ±0.020 ±0.010	
>3.937 - 7.874	(0.000) ±0.059 ±0.031 ±0.016	ANGULAR TOLERANCE ±0.5 DEGREES
>7.874 - 11.811	(0.000) ±0.079 ±0.047 ±0.031	UNSPECIFIED RADIUS 0.010 INCH
>11.811 - 19.685	(0.000) ±0.118 ±0.079 ±0.039	DRAFT ANGLE 0.5 DEGREES
>19.685	(0.000) ±0.197 ±0.118 ±0.059	MINIMUM HOLE DRAGGERS FOR ARE IN INCHES FOR REFERENCE ONLY

CREATE DATE	09.02.2023	MATERIAL	SEE NOTES
ITEM CODE	10108895	COLOR	BLACK
LEGACY NUMBER	FGA-60	FINISH	-
TITLE:	FAN GASKET		

DWG. NO.	10108895	SCALE	1:1	SHEET	2 of 2	ISSUE	1
----------	----------	-------	-----	-------	--------	-------	---