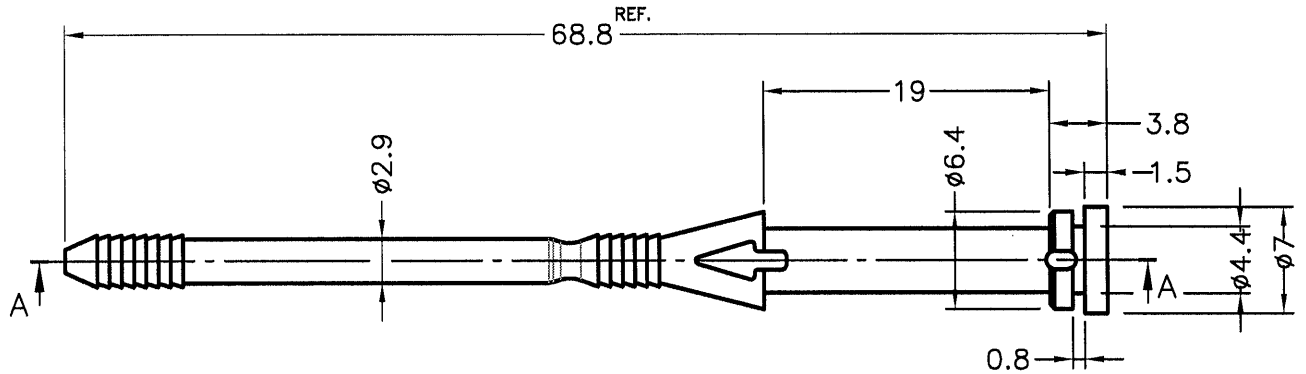


DIM.	TOL.
5mm DOWN	±0.2
5~20mm	±0.3
20~40mm	±0.4
40~60mm	±0.5
60~100mm	±0.8
100mm UP	±1.0

REVISIONS			
REV	DESCRIPTION	DATE	BY




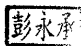
MOUNTING HOLE $\phi 4.2$



SECTION A-A

PART NO.	HARDNESS
BUB-69G	45°±10°
BUB-69H	55°±10°

NOTE:MADE OF EQUIVALENT MATERIAL.
使用同等材質

 康揚企業股份有限公司 KANG YANG HARDWARE ENTERPRISE CO., LTD. 康揚塑膠(東莞)有限公司 KANG YANG PLASTIC(DONG GUAN) CO., LTD. ISO 9001 ISO 14001 QC 080000 康哲電腦配件(吳江)有限公司 KANG CHE COMPUTER COMPONENTS(WUJIANG) CO., LTD.	TITLE	FAN SNAP RIVET	SPEC. DWG.	
	MATERIAL	TPE	DATE	2006.06.22
	HARDNESS	SEE ABOVE	DRAWN	KEVIN
	COLOR	BLACK	CHECK	
PART NUMBER	SEE ABOVE	DRAWING NUMBER	BUB-69	
SIZE	A4	SCALE	2:1	
UNIT	mm	REV	A	
UNLESS OTHERWISE SPECIFIED TOLERANCE		SEE ABOVE	APPROVED	