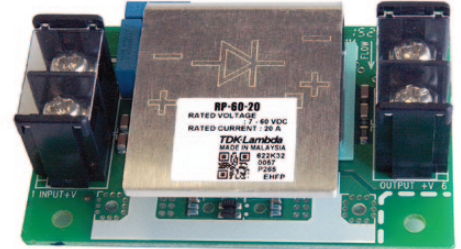




20A Reverse Current Protection Module

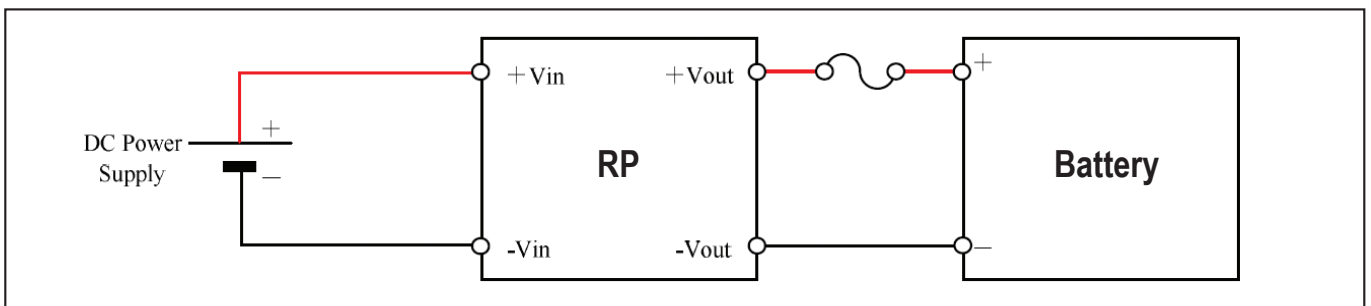
Features	Benefits
• Provides Reverse Current Protection	• Improves System Integrity
• Low Voltage Drop ORing FET	• Lower Losses than Diode Units
• Compact Size	• Easy to Integrate
• Open Frame or L Bracket Construction	• More Mechanical Options for Designer



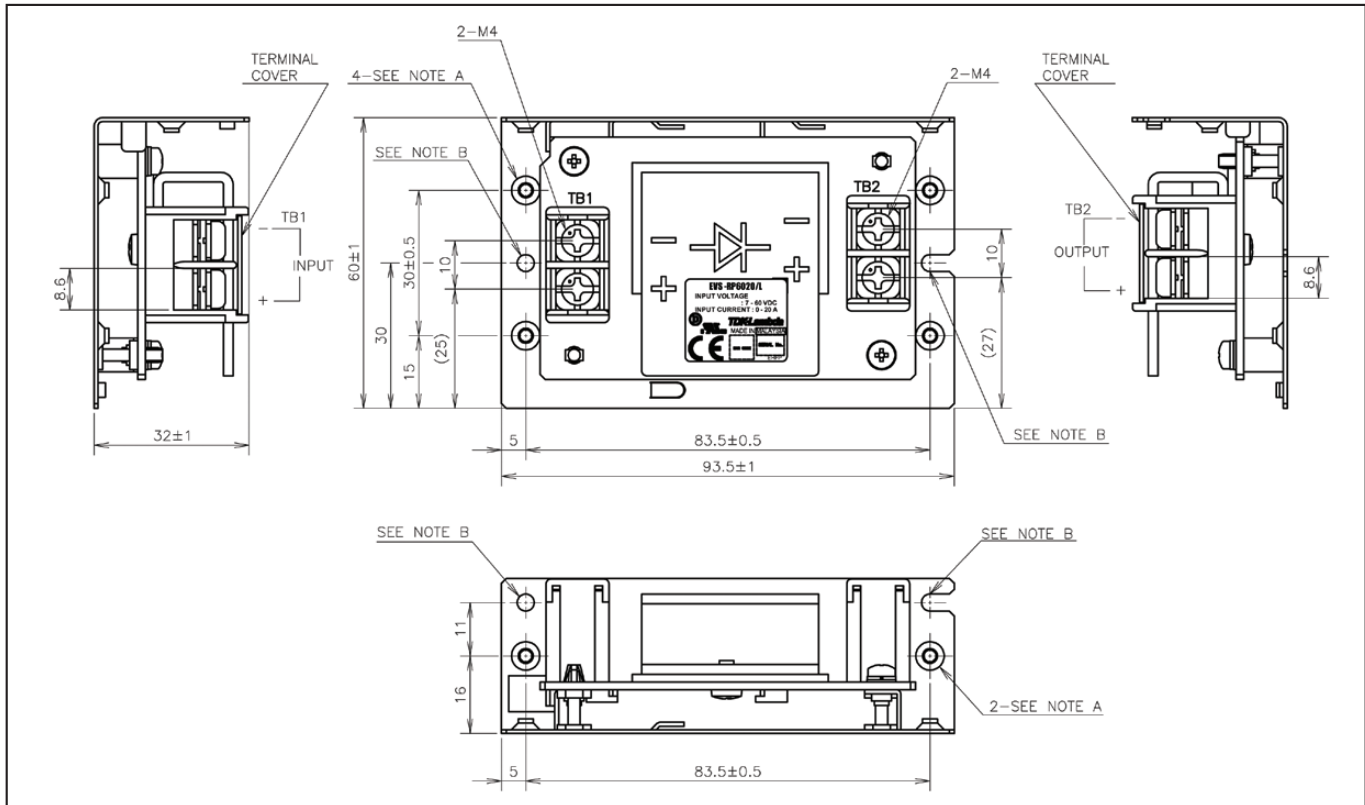
Specification		
Model	RP-60-20	
Input Voltage Range	VDC	7 - 60VDC
Maximum Current	A	20A
Voltage Drop	VDC	0.2V
Maximum Reverse Current	μ A	50 μ A
Parallel Operation	-	Maximum 2 units, no current sharing function
Cooling	-	Convection or Forced Air
Operating Temperature	$^{\circ}$ C	Convection Cooling: -20 $^{\circ}$ C to +74 $^{\circ}$ C, derate linearly to 50% load from 50 $^{\circ}$ C to 74 $^{\circ}$ C Forced Air (≥ 1.4 m/s) : -20 $^{\circ}$ C to +74 $^{\circ}$ C, derate linearly to 60% load from 60 $^{\circ}$ C to 74 $^{\circ}$ C
Storage Temperature	$^{\circ}$ C	-40 $^{\circ}$ C to +85 $^{\circ}$ C
Humidity (non condensing)	%RH	Operating: 20 - 90%RH, Storage: 10 - 90%RH
Withstand Voltage	VAC	Input or output to ground: 500VAC for 1 minute
Isolation Resistance	M Ω	Input or output to ground >100M Ω at 25 $^{\circ}$ C, 70%RH and 500VDC
Vibration (non operating)	-	10-55Hz (sweep for 1 min), 19.6m/s ² constant X, Y, Z each for 1 hour
Shock	-	196m/s ²
Safety Agency Certifications	-	UL60950-1, CSA60950-1, EN60950-1, CE mark for LVD and RoHS2
Size	mm	Open Frame: 50 x 26 x 77.5 L Bracket: 60 x 32 x 93.5
Weight	g	Open frame: 60g L Bracket: 100g
Warranty	yrs	5

Note: See Installation Manual for full details, test methods of parameters and application notes

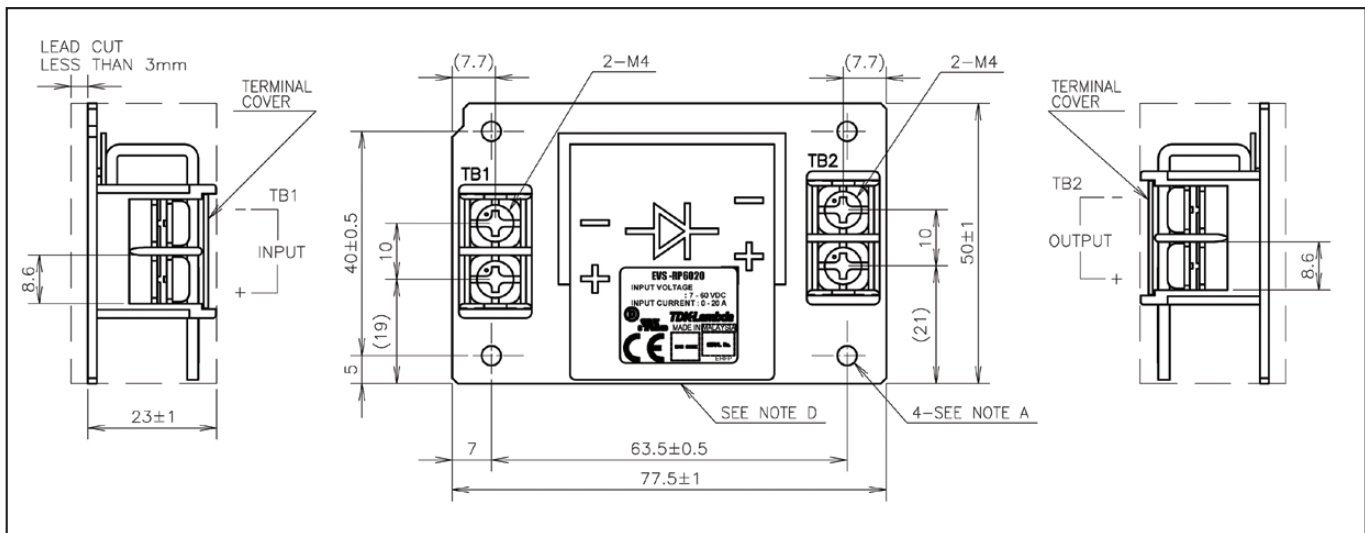
Application Sample



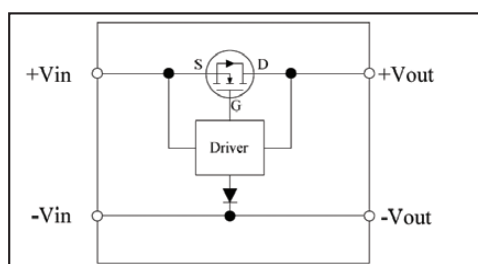
Outline Drawing RP-60-20/L (L bracket)



Outline Drawing RP-60-20 (Open frame)



Block Diagram



Options

Suffix	Description
-	Open Frame Construction
/L	L Bracket Construction



TDK-Lambda France SAS

Tel: +33 1 60 12 71 65
tlf.fr.powersolutions@tdk.com
www.emea.lambda.tdk.com/fr



Italy Sales Office

Tel: +39 02 61 29 38 63
tlf.it.powersolutions@tdk.com
www.emea.lambda.tdk.com/it



Netherlands

tlf.nl.powersolutions@tdk.com
www.emea.lambda.tdk.com/nl



TDK-Lambda Germany GmbH

Tel: +49 7841 666 0
tlg.powersolutions@tdk.com
www.emea.lambda.tdk.com/de



Austria Sales Office

Tel: +43 2256 655 84
tlg.at.powersolutions@tdk.com
www.emea.lambda.tdk.com/at



Switzerland Sales Office

Tel: +41 44 850 53 53
tlg.ch.powersolutions@tdk.com
www.emea.lambda.tdk.com/ch



Nordic Sales Office

Tel: +45 8853 8086
tlg.dk.powersolutions@tdk.com
www.emea.lambda.tdk.com/dk



TDK-Lambda UK Ltd.

Tel: +44 (0) 12 71 85 66 66
tlu.powersolutions@tdk.com
www.emea.lambda.tdk.com/uk



TDK-Lambda Ltd.

Tel: +9 723 902 4333
tli.powersolutions@tdk.com
www.emea.lambda.tdk.com/il-en



TDK-Lambda Americas

Tel: +1 800-LAMBDA-4 or 1-800-526-2324
tla.powersolutions@tdk.com
www.us.lambda.tdk.com



TDK Electronics do Brasil Ltda

Tel: +55 11 3289-9599
sales.br@tdk-electronics.tdk.com
www.tdk-electronics.tdk.com/en



TDK-Lambda Corporation

Tel: +81-3-6778-1113
www.jp.lambda.tdk.com



TDK-Lambda (China) Electronics Co. Ltd.

Tel: +86 21 6485-0777
tlc.powersolutions@tdk.com
www.lambda.tdk.com.cn



TDK-Lambda Singapore Pte Ltd.

Tel: +65 6251 7211
tts.marketing@tdk.com
www.sg.lambda.tdk.com



TDK India Private Limited, Power Supply Division

Tel: +91 80 4039-0660
mathew.philip@tdk.com
www.sg.lambda.tdk.com

