

GlobTek, Inc. www.globtek.com 186 Veterans Drive, Northvale, NJ 07647 Tel. (201) 784-1000 Fax (201) 784-0111	Drawing Title: Low voltage cable, , Efficiency Level: , Case Color/Style: GlobTek Black, , , Input Rating: , , Output Rating: W, 0.0V@0.0A, Output Configuration: mm, / Cond, , Ferrite: , , GT Cord # , Pin Out: , Blades/Input Cord: , Approvals: to , GT Cable #:	
	Model No. Low voltage cable	Part No./Ordering No. T-USB-TYPE-C(R)

In Addition to GlobTek Inc.'s renewed ISO9001:2008 - Quality Management System Certification, GlobTek Inc. is now certified to:

ISO13485:2003 - Medical Devices Quality Management System Certification
ISO14001:2004 - Environmental Management System Certification

ISO Certificates are available online at <http://www.globtek.com/iso-certificates/>

The acceptance of this specification and use of the product described in this document indicates the acceptance and binding of the customer to Globtek TERMS AND CONDITIONS (attached to the end of this document), which supersede all other agreements, terms, and conditions (<http://www.globtek.com/terms-and-conditions/>).

Prop 65 Statement:<https://www.globtek.com/prop-65-statement.pdf>

Footnote:

GlobTek Inc. will not be liable for the safety and performance of these power supplies if unauthorized access and repair occurs. End user should consult applicable UL, CSA or EN standards for proper installation instruction.

Limitation of Use:

GlobTek products are intended for use with commercial, medical, and/or industrial equipment only. GlobTek product are not authorized for use as mission critical components in life support hazardous environment, nuclear or aircraft applications without prior written approval from the CEO of GlobTek Inc.

Contents of this document are subject to change without prior notice.

Customer Approval of Specification:

Please approve, sign and send back to GlobTek so we can complete order processing.

A delay in receipt of this form will delay delivery schedule.

Company Name: _____	Customer P/N: _____
Quote Number: _____	Date: _____
Authorized Representative Name: _____	Authorized Representative Signature: _____

GlobTek, Inc. www.globtek.com 186 Veterans Drive, Northvale, NJ 07647 Tel. (201) 784-1000 Fax (201) 784-0111	Drawing Title: Low voltage cable, , Efficiency Level: , Case Color/Style: GlobTek Black, , , Input Rating: , , Output Rating: W, 0.0V@0.0A, Output Configuration: mm, / Cond, , , Ferrite: , , GT Cord # , Pin Out: , Blades/Input Cord: , Approvals: to , GT Cable #:	
	Model No. Low voltage cable	Part No./Ordering No. T-USB-TYPE-C(R)

REVISION HISTORY

REV	DESCRIPTION	SUB	DATE	APPROVED
A	Initial release	QA	03/24/2022	QA

AGENCY ONLINE DOCUMENTS

RoHS/RoHS3 Declaration https://www.globtek.com/pdf/rohs_cert/01t3a000005KpB5AAK

REACH Declaration https://www.globtek.com/pdf/iso_certificates/REACH.pdf

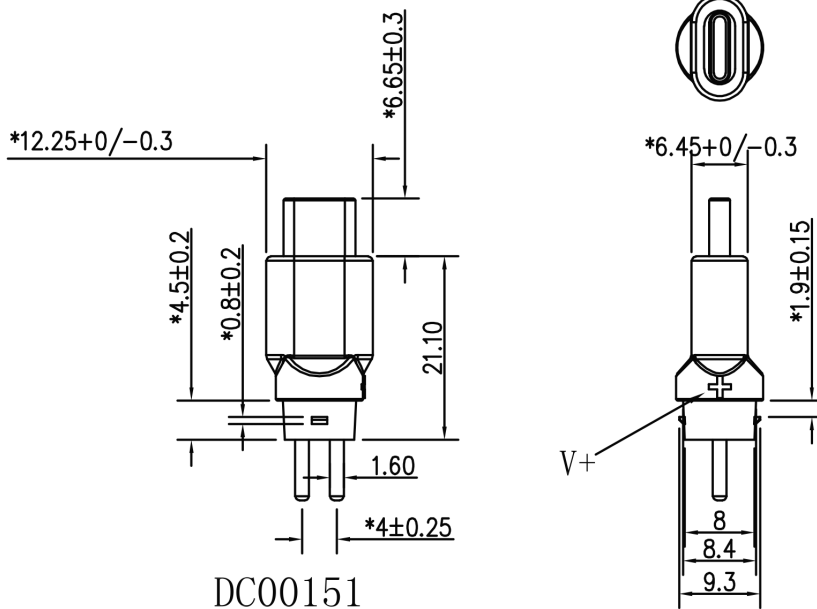
Conflict Minerals Declaration <https://www.globtek.com/pdf/conflict-minerals.pdf>

Prop 65 Statement <https://en.globtek.com/prop-65-statement.pdf>

IPXY rating is based on 3rd party testing and customers should check suitability and test system level IPXY rating before ordering.

This USB Type C adapter tip allows for the use of the popular USB Type C connector on a wide range of in-stock GlobTek power supplies in a huge variety of packages and output voltage and current combinations.

When installed on a power supply who's output voltage and current combination do not match USB Protocols and may work outside of power values for which the system was designed, can cause damage to downstream circuitry and devices. Products implementing this solution do not provide USB Power Delivery (PD) negotiation. This device is provided for engineers and users who understand the implications of using such a solution.

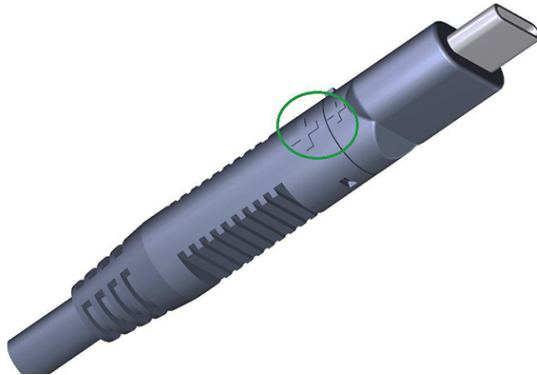


A4, A9, B4, B9: "V+"
 A1, A12, B1, B12, Shell: "V-"
 A6, A7: Short

Important dimension "*"

GlobTek, Inc. www.globtek.com 186 Veterans Drive, Northvale, NJ 07647 Tel. (201) 784-1000 Fax (201) 784-0111	Drawing Title: Low voltage cable, , Efficiency Level: , Case Color/Style: GlobTek Black, , , Input Rating: , , Output Rating: W, 0.0V@0.0A, Output Configuration: mm, / Cond, , Ferrite: , , GT Cord # , Pin Out: , Blades/Input Cord: , Approvals: to , GT Cable #:	
	Model No. Low voltage cable	
Part No./Ordering No. T-USB-TYPE-C(R)		Rev A

Installation instructions

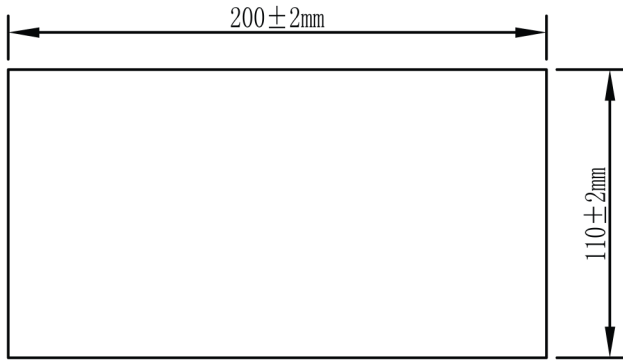


When installing T-USB-TYPE-C(R) changeable output Type C Plug, please match up the + Symbols on both the end of the output cord and the USB type C plug.

<p>GlobTek, Inc. www.globtek.com 186 Veterans Drive, Northvale, NJ 07647 Tel. (201) 784-1000 Fax (201) 784-0111</p>	<p>Drawing Title: Low voltage cable, , Efficiency Level: , Case Color/Style: GlobTek Black, , Input Rating: , , Output Rating: W, 0.0V@0.0A, Output Configuration: mm, / Cond, , Ferrite: , , GT Cord # , Pin Out: , Blades/Input Cord: , Approvals: to , GT Cable #:</p>
	<p>Model No. Low voltage cable</p>
	<p>Part No./Ordering No. T-USB-TYPE-C(R) Rev A</p>

Packaging:

1. Qty: 50 pcs per PE Vacuum Sealed bag.
2. Bag Dimensions: 200*110 mm



Electrical parameter:

1. Current Rating: 5A
2. Current Voltage: 30V MAX
3. Contact Impedance: 30mΩ MAX
4. Insulation Resistance: 100MΩ MIN, 500V DC
5. Withstanding Voltage: 500V AC for one minute
6. Operating Temperature: -20~50°C
7. Fire Rating: VW-1

GlobTek, Inc. www.globtek.com 186 Veterans Drive, Northvale, NJ 07647 Tel. (201) 784-1000 Fax (201) 784-0111	Drawing Title: Low voltage cable, , Efficiency Level: , Case Color/Style: GlobTek Black, , , Input Rating: , , Output Rating: W, 0.0V@0.0A, Output Configuration: mm, / Cond, , , Ferrite: , , GT Cord # , Pin Out: , Blades/Input Cord: , Approvals: to , GT Cable #:	
	Model No. Low voltage cable	
	Part No./Ordering No. T-USB-TYPE-C(R)	Rev A

PACKAGING

Packing Spec P/N:

Box Qty: 1000

Gift Box Size (mm):

Gift Box Color: White

Master Carton Size (mm): TBD

Master Carton Cubic Volume (m³): 0.00

Master GW (Kg): kg

wt Ea. (Kg): kg

wt Ea. (Kg): kg

LABEL SPECS: ,

PACK SPEC: