

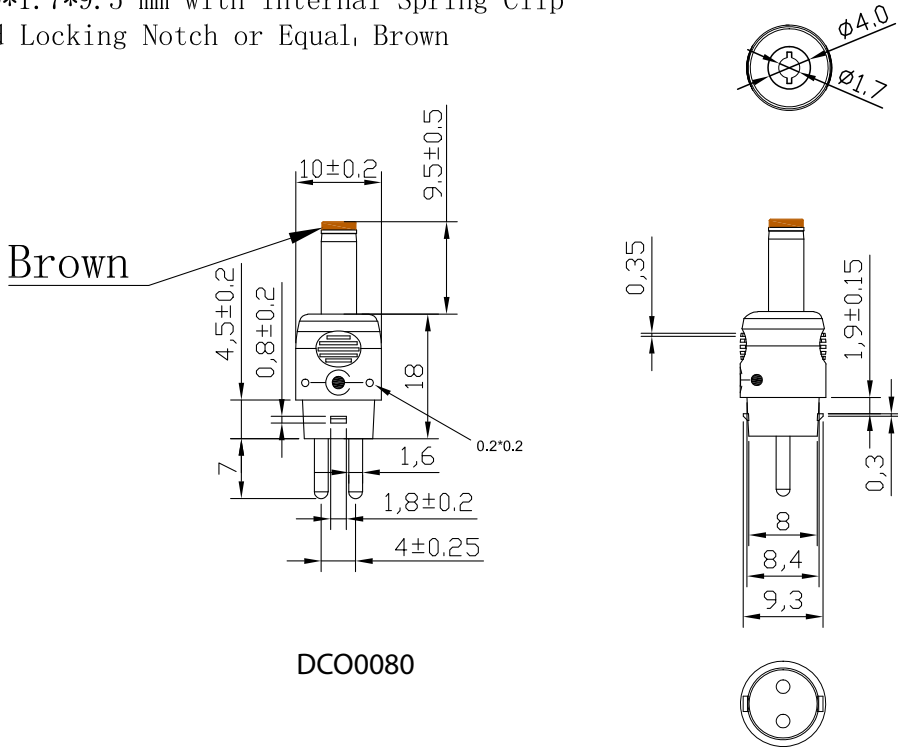
PROPRIETARY INFORMATION:
 PROPRIETARY OF GLOBTEK, INC. ANY REPRODUCTION, DISCLOSURE OR USE OF THIS DRAWING, IN WHOLE OR IN PART, IS HEREBY PROHIBITED EXCEPT AS SPECIFIED IN WRITING BY GLOBTEK, INC.

REVISION			
REV	DESCRIPTION	DATE	APPROVED
A	INITIAL RELEASE, RFS. 26640, MK	02/01/17	BS

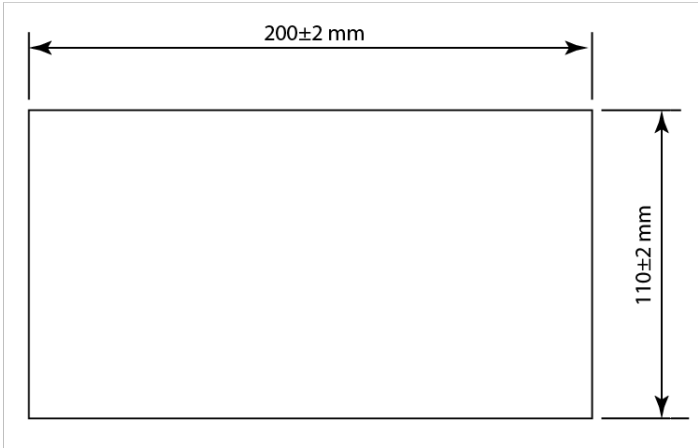
1. ROHS 2: Complies with EU 2011/65/EU and China SJ/T 11364-2014
2. Material: PVC-40P
3. 4.0*1.7*9.5 mm with internal Spring Clip and Locking Notch or Equal, Brown

Packaging:


1. Qty: 50 pcs per PE Vacuum Sealed bag.
2. Bag Dimensions: 200*110 mm



DCO0080



RELEASED
 By N.Frost at 3:56 pm, Feb 08, 2017

DASH NO.	PART NO	REV.	DESCRIPTION	NOTES
TABULATION BLOCK				
		TOLERANCES: DECIMALS ANGULAR .xx +/- 0.1 +/- 1° .xxx +/- .005		 GlobTek, Inc. www.globtek.com 186 Veterans Dr. Northvale, NJ 07647 Tel. 201-784-1000 Fax 201.784.0111
		MILLIMETERS ANGULAR .xx +/- 0.3 +/- 1° .xxx +/- .013		
INIT.BY: MK		DATE: 02/01/17		DWG TITLE: Femal Barrel Connector 4.0*1.7*9.5 mm with Spring Clip and Locking Notch or Equal, Brown MODEL: N / A PART NO: T-EJ2-95-S(R)
DRAWN: NF		DATE: 02/01/17		
APRVD: DR		DATE: 02/01/17		
		FSCN No.: G, CC	SIZE A	REV. A
		SCALE: NONE		SHEET 1/1

Foot Note:
 Globtek Inc. will not be liable for the safety and performance of these power product if unauthorized access and repair occurs. End user should consult the applicable UL, CSA or EN Standards for proper installation instruction.

Limitation of Use:
 Globtek product are not authorized for use as mission critical components in life support, hazardous environment, nuclear or aircraft applications without prior written approval from the CEO of Globtek Inc.

Contents of this document are subject to change without prior notice