

GlobTek, Inc. www.globtek.com 186 Veterans Drive, Northvale, NJ 07647 Tel. (201) 784-1000 Fax (201) 784-0111	Drawing Title: Changeable op plugs, T System, 3.2 x 0.9 x 9.0 MM, equal to CA-2221, PP3-017, PP-017, mates to CA-2221, PJ-029-SMT-TR, PJ-071, PJ-074-SMT-TR	
	Model No. Low voltage cable	Part No./Ordering No. T-3.2-0.9-9.0-S(R)
		Rev A

In Addition to GlobTek Inc.'s renewed ISO9001:2008 - Quality Management System Certification, GlobTek Inc. is now certified to:

ISO13485:2003 - Medical Devices Quality Management System Certification
ISO14001:2004 - Environmental Management System Certification

ISO Certificates are available online at <http://www.globtek.com/iso-certificates/>

The acceptance of this specification and use of the product described in this document indicates the acceptance and binding of the customer to Globtek TERMS AND CONDITIONS (attached to the end of this document), which supersede all other agreements, terms, and conditions (<http://www.globtek.com/terms-and-conditions/>).

Prop 65 Statement:<https://www.globtek.com/prop-65-statement.pdf>

Footnote:

GlobTek Inc. will not be liable for the safety and performance of these power supplies if unauthorized access and repair occurs. End user should consult applicable UL, CSA or EN standards for proper installation instruction.

Limitation of Use:

GlobTek products are intended for use with commercial, medical, and/or industrial equipment only. GlobTek product are not authorized for use as mission critical components in life support hazardous environment, nuclear or aircraft applications without prior written approval from the CEO of GlobTek Inc.

Contents of this document are subject to change without prior notice.

Customer Approval of Specification:

Please approve, sign and send back to GlobTek so we can complete order processing.
A delay in receipt of this form will delay delivery schedule.

Company Name: _____	Customer P/N: _____
Quote Number: _____	Date: _____
Authorized Representative Name: _____	Authorized Representative Signature: _____

GlobTek, Inc. www.globtek.com 186 Veterans Drive, Northvale, NJ 07647 Tel. (201) 784-1000 Fax (201) 784-0111	Drawing Title: Changeable op plugs, T System, 3.2 x 0.9 x 9.0 MM, equal to CA-2221, PP3-017, PP-017, mates to CA-2221, PJ-029-SMT-TR, PJ-071, PJ-074-SMT-TR	
	Model No. Low voltage cable	
Part No./Ordering No. T-3.2-0.9-9.0-S(R)	Rev A	

REVISION HISTORY

REV	DESCRIPTION	SUB	DATE	APPROVED
A	Initial release	DR	04/14/2020	QA

AGENCY ONLINE DOCUMENTS

RoHS/RoHS3 Declaration	https://www.globtek.com/pdf/rohs_cert/01t3a00004gAsvAAE
REACH Declaration	https://www.globtek.com/pdf/iso_certificates/REACH.pdf
Conflict Minerals Declaration	https://www.globtek.com/pdf/conflict-minerals.pdf
Prop 65 Statement	https://en.globtek.com/prop-65-statement.pdf

IPXY rating is based on 3rd party testing and customers should check suitability and test system level IPXY rating before ordering.

Rating: 24VDC/3A, 54VDC/1.5A

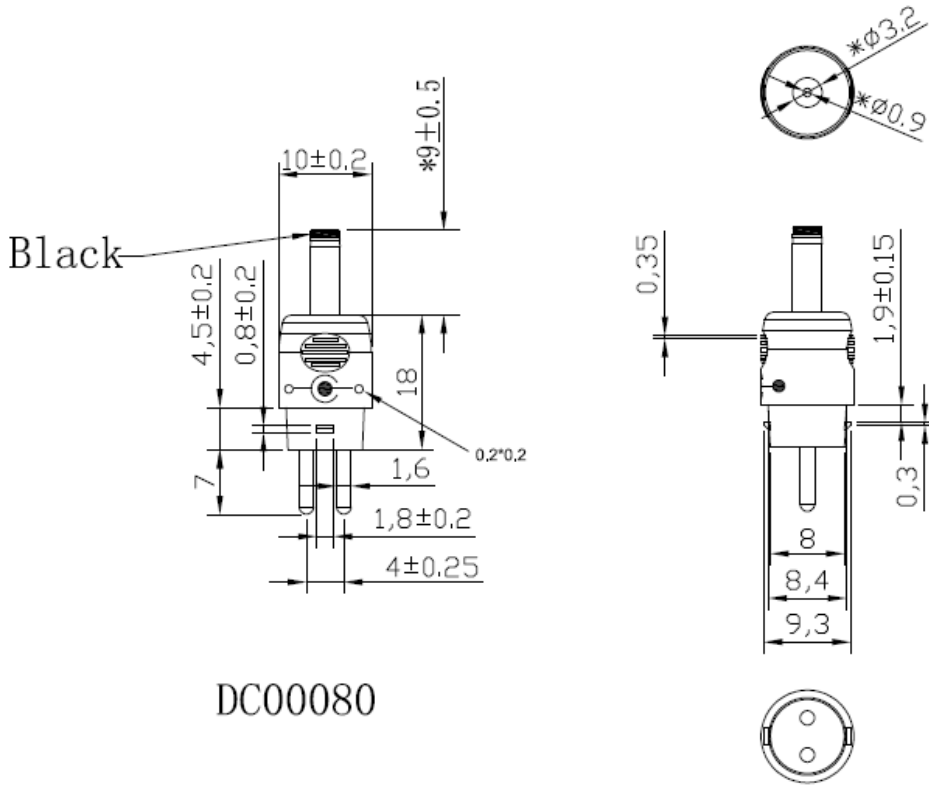
CONTACT RESISTANCE 30mOHM MAX

INSULATION RESITANCE 100MOHM MIN, 500VDC

WITHSTAND VOLTAGE 500VAC 1 MINUTE

OPERATING TEMP AND HUMIDITY RANGE: -30 DEG C TO +80 DEG C, 85% RELATIVE HUMIDITY MAX

1. ROHS 2: Complies with EU 2011/65/EU and China SJ/T 11364-2014
2. Material: PVC-40P
3. 3.2*0.9*9.0mm with internal Spring Clip and Locking Notch or Equal, Black



PROPRIETARY INFORMATION

PROPRIETARY OF GLOBTEK, INC. ANY REPRODUCTION, DISCLOSURE OR USE OF THIS DRAWING, IN WHOLE OR IN PART, IS HEREBY PROHIBITED EXCEPT AS SPECIFIED IN

WRITING BY GLOBTEK, INC. © GlobTek, Inc. 2020 - 2024

quest /04/11/2024 7:56:15 PM CLONED FROM T-EJ1-95-S(R)

GlobTek, Inc. www.globtek.com 186 Veterans Drive, Northvale, NJ 07647 Tel. (201) 784-1000 Fax (201) 784-0111	Drawing Title: Changeable op plugs, T System, 3.2 x 0.9 x 9.0 MM, equal to CA-2221, PP3-017, PP-017, mates to CA-2221, PJ-029-SMT-TR, PJ-071, PJ-074-SMT-TR	
	Model No. Low voltage cable	
	Part No./Ordering No. T-3.2-0.9-9.0-S(R)	Rev A

PACKAGING

Packing Spec P/N:

Box Qty: 50

Gift Box Size (mm):

Gift Box Color: White

Master Carton Size (mm): TBD

Master Carton Cubic Volume (m³): 0.00

Master GW (Kg): kg

wt Ea. (Kg): kg

wt Ea. (Kg): kg

LABEL SPECS: ,

PACK SPEC: