

## Time-of-Flight expansion board based on the VL53L8 series for STM32 Nucleo



### Features

- Time-of-Flight expansion board based on the VL53L8 series for STM32 Nucleo:
  - VL53L8CX Low-power high-performance 8x8 multizone ToF sensor
  - VL53L8CH Artificial intelligence enabler, high performance 8x8 multizone ToF sensor
- Accurate absolute ranging distance, independent of the reflectance of the target
- Histogram-based technology
- Multiobject detection capability
- 0.25, 0.5, and 1 mm spacers to simulate air gaps
- One cover glass to protect the sensor from dust
- Compatible with STM32 Nucleo development boards
- Equipped with Arduino® UNO R3 connectors
- Full system software supplied, including code examples and graphical user interface
- RoHS, CE, UKCA, and China RoHS compliant

### Description

The X-NUCLEO-53L8A1 is an expansion board for any STM32 Nucleo board equipped with the Arduino R3 connectors. It provides a complete evaluation kit that allows you to learn, evaluate, and develop applications based on the VL53L8 series Time-of-Flight sensors.

The expansion board is delivered with a cover glass holder in which you can fit three different spacers of 0.25, 0.5, and 1 mm height below the cover glass to simulate various air gaps.

Several ST expansion boards can be stacked through the Arduino® connectors, which allow, for example, the development of VL53L8 series ToF applications with Bluetooth® Low Energy or Wi-Fi interfaces.

Product summary	
Time-of-Flight 8x8 multizone sensor with enhanced ranging performances expansion board based on the VL53L8CX for STM32 Nucleo	X-NUCLEO-53L8A1
Time-of-Flight sensor software expansion for STM32Cube	X-CUBE-TOF1
STM32 Nucleo-64 development board with STM32F401RE MCU	NUCLEO-F401RE
Applications	Personal Electronics - Audio and Video/ Gaming and Drones/Virtual - Augmented Reality/ Wearable

## 1 Ordering information

**Table 1. Ordering information**

Order code	PCB version	Core product
X-NUCLEO-53L8A1A	X\$NUCLEO-53L8A1A	VL53L8

## 2 Ordering information for the VL53L8 series ToF sensor

This board is equipped with a non commercial VL53L8CA evaluation purposes only Time of Flight sensor. Equivalent orderable products are listed in the following table.

For a detailed description of each sensor, please refer to its datasheet on the product web page.

Additional information is available from the user manual and collateral documents of the target ToF sensor.

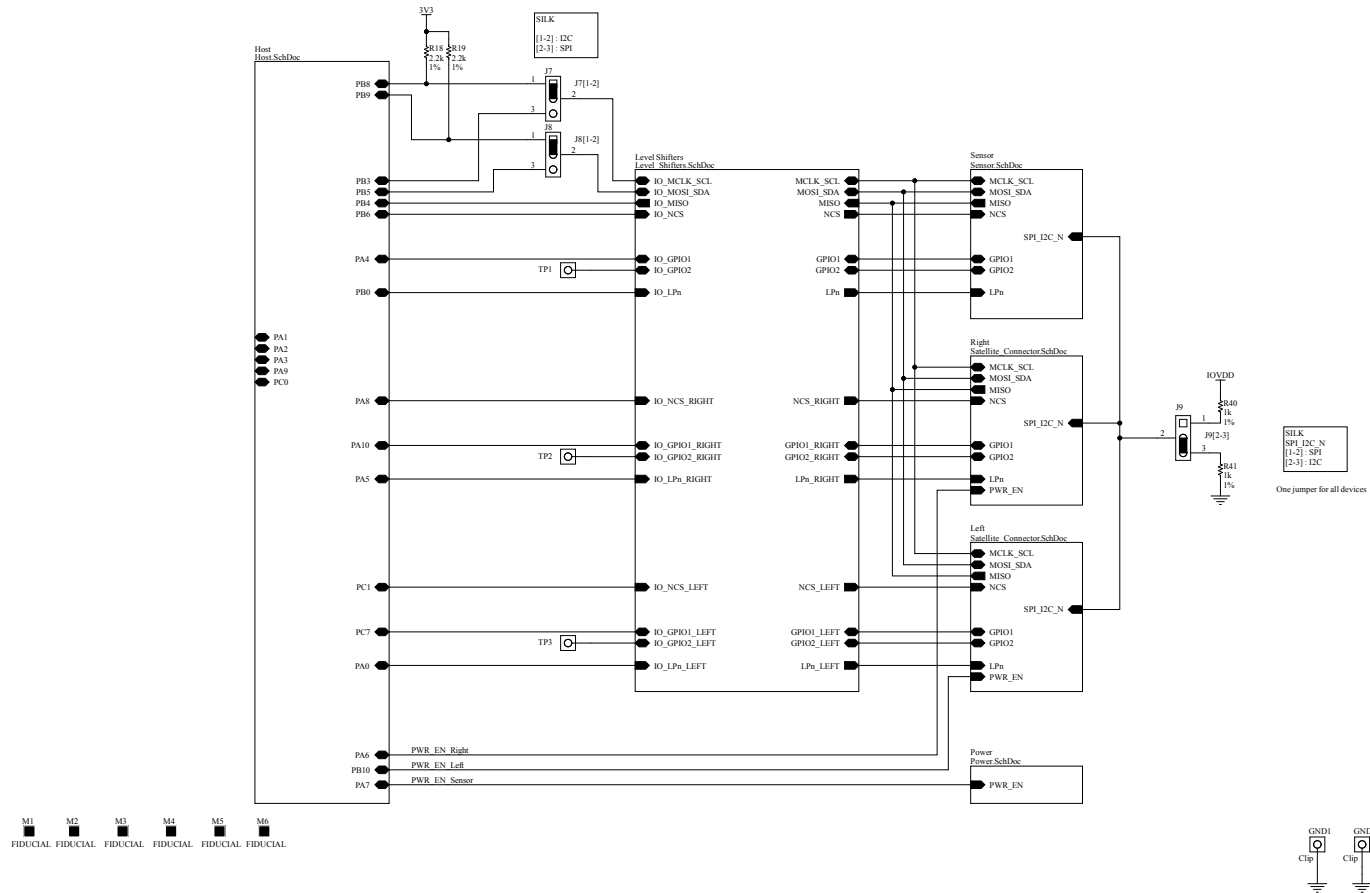
**Table 2. Ordering information for the VL53L8 ToF sensor**

PN	CPN	Datasheet	Features
VL53L8CX	VL53L8CXV0GC/1	<a href="#">DS14161</a>	Low-power high-performance 8x8 multizone Time-of-Flight sensor
VL53L8CH	VL53L8CHV0GC/1	<a href="#">DS14310</a>	Artificial intelligence enabler, high performance 8x8 multizone Time-of-Flight sensor

### 3 Schematic diagrams

Note: These schematic diagrams refer to the board latest version.

Figure 1. X-NUCLEO-53L8A1 circuit schematic (1 of 5)



Note: The display connector is an optional connector to connect an SSD1306 I2C OLED display to output the ranging data or other meaningful information if required. The related application note and example code will be available on st.com.



Figure 2. X-NUCLEO-53L8A1 circuit schematic (2 of 5)

### Nucleo Arduino connectors

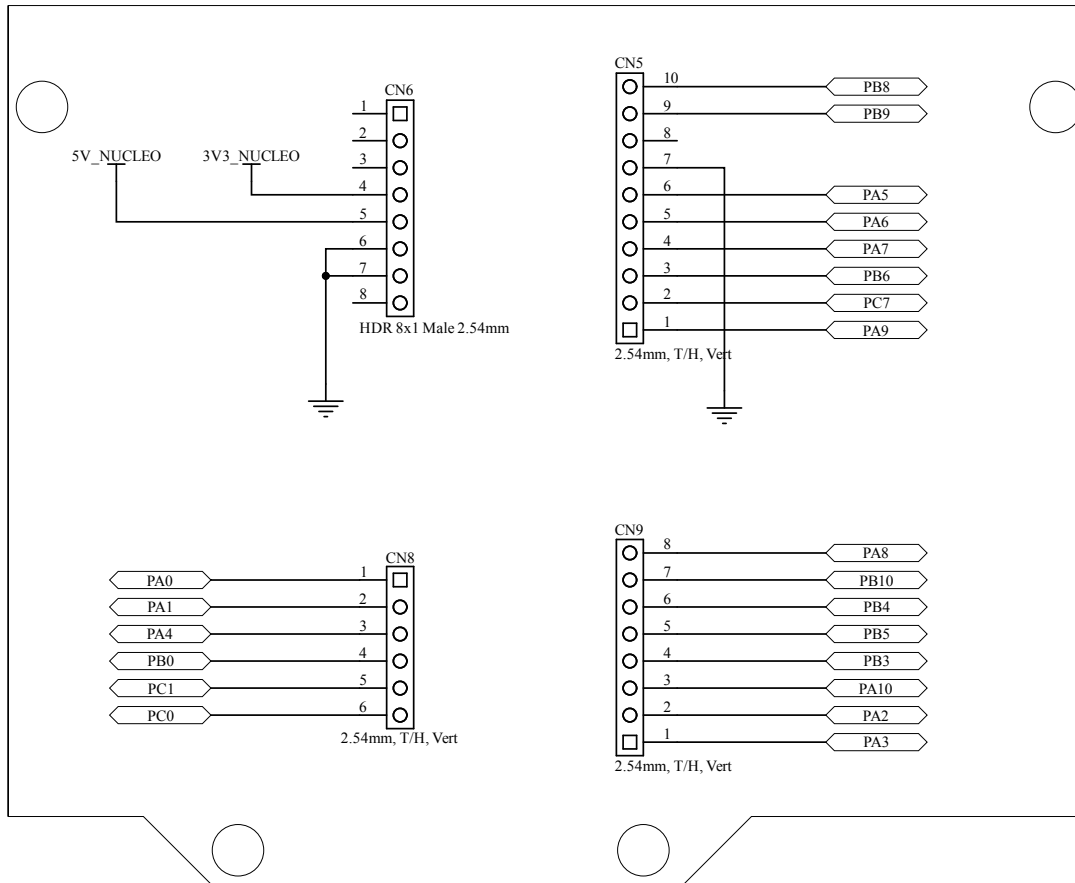


Figure 3. X-NUCLEO-53L8A1 circuit schematic (3 of 5)

### Power Section

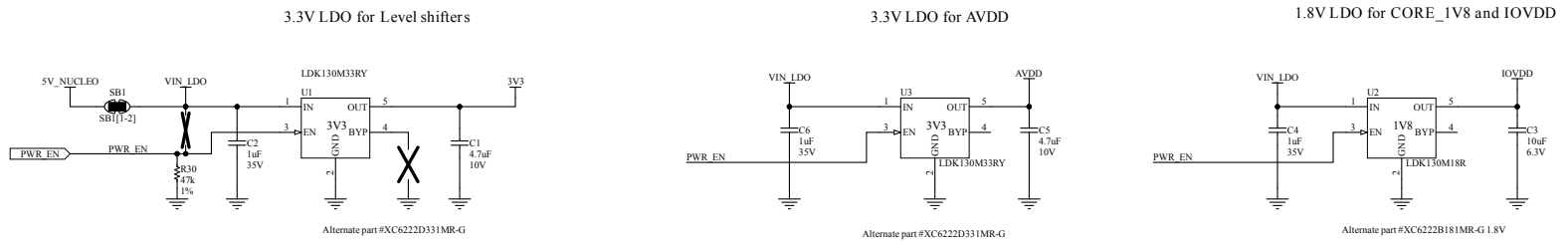


Figure 4. X-NUCLEO-53L8A1 circuit schematic (4 of 5)

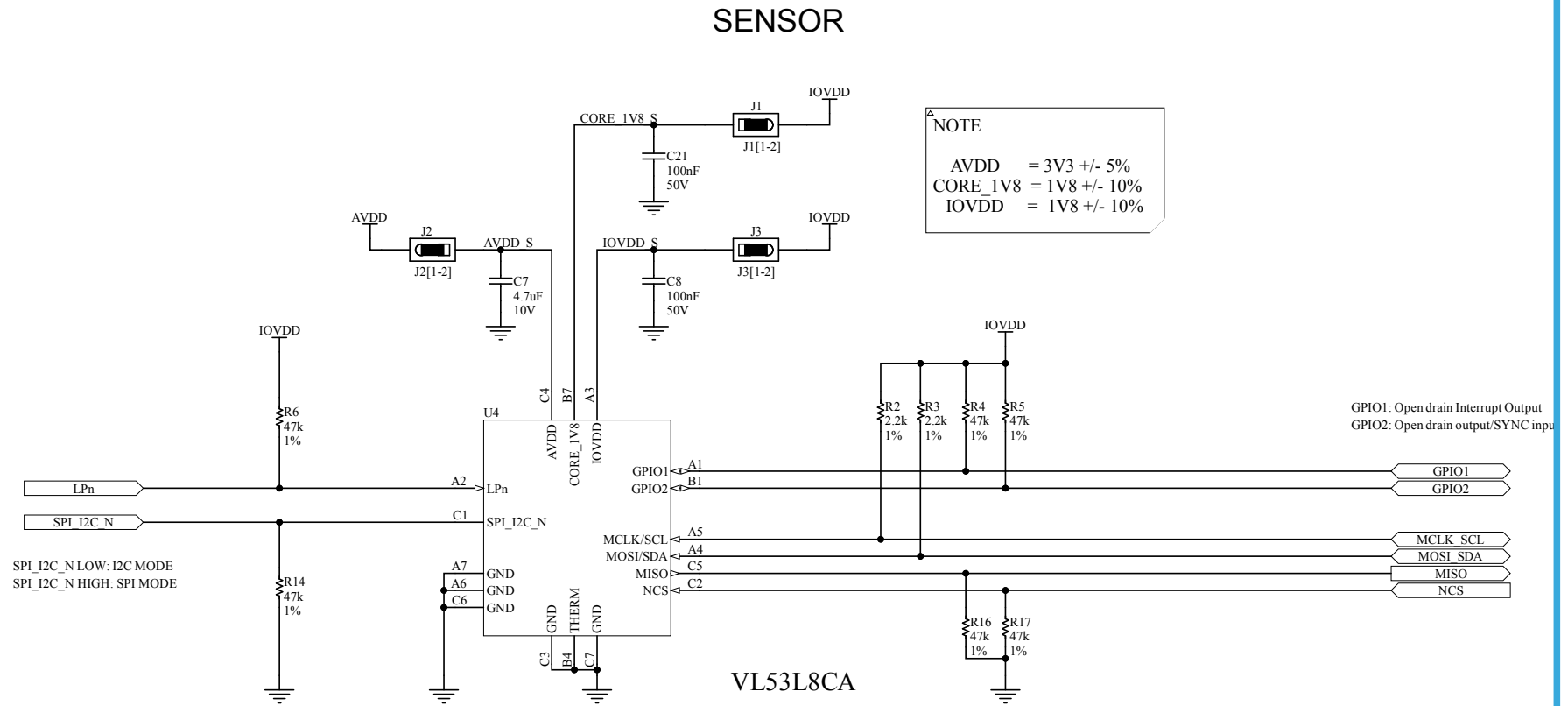
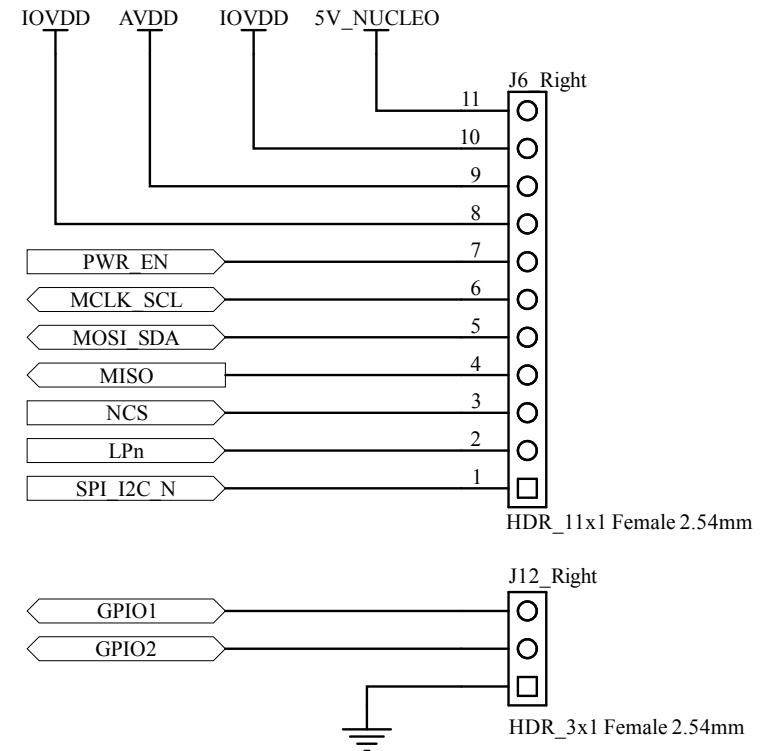


Figure 5. X-NUCLEO-53L8A1 circuit schematic (5 of 5)

## Satellite board connector

### NOTE

CORE\_1V8 and IOVDD is from the same 1.8V regulator





## 4 Board versions

**Table 3. X-NUCLEO-53L8A1 versions**

PCB version	Schematic diagrams	Bill of materials
X\$NUCLEO-53L8A1A <sup>(1)</sup>	X\$NUCLEO-53L8A1A schematic diagrams	X\$NUCLEO-53L8A1A bill of materials

1. This code identifies the X-NUCLEO-53L8A1 evaluation board first version. It is printed on the board PCB.

## Revision history

**Table 4. Document revision history**

Date	Revision	Changes
07-Mar-2023	1	Initial release.
04-Aug-2023	2	Updated features in cover page and <i>Section 2 Ordering information for the VL53L8 series ToF sensor</i> .
04-Oct-2023	3	Updated cover image.

**IMPORTANT NOTICE – READ CAREFULLY**

STMicroelectronics NV and its subsidiaries (“ST”) reserve the right to make changes, corrections, enhancements, modifications, and improvements to ST products and/or to this document at any time without notice. Purchasers should obtain the latest relevant information on ST products before placing orders. ST products are sold pursuant to ST’s terms and conditions of sale in place at the time of order acknowledgment.

Purchasers are solely responsible for the choice, selection, and use of ST products and ST assumes no liability for application assistance or the design of purchasers’ products.

No license, express or implied, to any intellectual property right is granted by ST herein.

Resale of ST products with provisions different from the information set forth herein shall void any warranty granted by ST for such product.

ST and the ST logo are trademarks of ST. For additional information about ST trademarks, refer to [www.st.com/trademarks](http://www.st.com/trademarks). All other product or service names are the property of their respective owners.

Information in this document supersedes and replaces information previously supplied in any prior versions of this document.

© 2023 STMicroelectronics – All rights reserved