

UCS 145-125-F-GD-RPI4B 9005 - Universal housings



1139242

<https://www.phoenixcontact.com/pc/products/1139242>

Please be informed that the data shown in this PDF document is generated from our online catalog. Please find the complete data in the user documentation. Our general terms of use for downloads are valid.



Complete housing for Raspberry Pi printed-circuit boards. Includes housing half shells, side panels with openings for all relevant connections, adhesive pads for affixing the Raspberry Pi model B4 computers, screws for housing and PCB attachment; black housing with turquoise-blue corner inlays

Your advantages

- High degree of application flexibility, thanks to the modular housing design
- Flexible PCB attachment, adapts to virtually all form factors
- Practical customization options
- Reduced logistics outlay, thanks to components which are compatible with one another
- Delivery as a complete housing with ready-machined side panels

Commercial data

Item number	1139242
Packing unit	1 pc
Minimum order quantity	1 pc
Product key	ACFCAA
GTIN	4063151081386
Weight per piece (including packing)	390.9 g
Weight per piece (excluding packing)	372.5 g
Customs tariff number	84879090
Country of origin	DE

Technical data

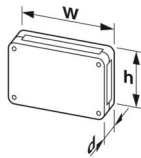
Notes

Assembly note	The housing can be opened a maximum of 10 times.
Note on application	Attach the adhesive pads: Make sure that the surface of the housing is clean, dry, and free of grease. Temperature range: +18°C ... +30°C / Closing pressure force: 60 N / Closing pressure time: 3 s
General	Refer to the data sheet for the range in the download area.

Product properties

Product type	Complete housing
Housing type	Universal housings
Housing series	UCS
Product family	UCS 145-125
Type	Flat design (GD), RPI4B
Ventilation openings present	no

Dimensions

Dimensional drawing	
Width	145 mm
Height	125 mm
Depth	47 mm

PCB design

PCB thickness	0.8 mm ... 3 mm
---------------	-----------------

Material specifications

Color (Housing)	black (RAL 9005)
Flammability rating according to UL 94	V0
CTI according to IEC 60112	225
Insulating material	PC
Housing material	PC
Surface characteristics	untreated

Environmental and real-life conditions

Power dissipation single housing for 20 °C

Ambient temperature	20 °C
Reduction factor	1
Mounting position	vertical

UCS 145-125-F-GD-RPI4B 9005 - Universal housings



1139242

<https://www.phoenixcontact.com/pc/products/1139242>

Power dissipation	11 W
-------------------	------

Power dissipation single housing for 30 °C

Ambient temperature	30 °C
Reduction factor	0.85
Mounting position	vertical
Power dissipation	9.4 W

Power dissipation single housing for 40 °C

Ambient temperature	40 °C
Reduction factor	0.7
Mounting position	vertical
Power dissipation	7.7 W

Power dissipation single housing for 50 °C

Ambient temperature	50 °C
Reduction factor	0.55
Mounting position	vertical
Power dissipation	6 W

Power dissipation single housing for 60 °C

Ambient temperature	60 °C
Reduction factor	0.4
Mounting position	vertical
Power dissipation	4.4 W

Vibration test

Specification	IEC 60068-2-6:2007-12
Frequency	10 - 150 - 10 Hz
Sweep speed	1 octave/min
Amplitude	0.15 mm (10 Hz ... 58.1 Hz)
Acceleration	2g (58.1 Hz ... 150 Hz)
Test duration per axis	2.5 h
Test directions	X-, Y- and Z-axis

Glow-wire test

Specification	IEC 60695-2-11:2014-02
Temperature	850 °C
Time of exposure	30 s

Thermal stability / ball thrust test

Specification	IEC 60695-10-2:2014-02
Temperature	125 °C
Test duration	1 h
Force	20 N

Mechanical strength / tumbling barrel

Specification	IEC 60068-2-31:2008-05
---------------	------------------------

Height of fall	50 cm
Frequency	50

Shocks

Specification	IEC 60068-2-27:2008-02
Pulse shape	Half-sine
Acceleration	15g
Shock duration	11 ms
Number of shocks per direction	3
Test directions	X-, Y- and Z-axis (pos. and neg.)

Test for substances that would hinder coating with paint or varnish

Specification	VW PV 3.10.7:2005-02
Result	Test passed

Degree of protection (IP code)

Specification	IEC 60529:1989-11 + AMD 1:1999-11 + AMD 2:2013-08
Result, degree of protection, IP code	IP20

Ambient conditions

Max. IP code to attain	IP20
Ambient temperature (operation)	-40 °C ... 105 °C (depending on power dissipation)
Ambient temperature (storage/transport)	-40 °C ... 55 °C
Ambient temperature (assembly)	-5 °C ... 100 °C
Relative humidity (storage/transport)	80 %

PCB data

Number of PCB holders	1
Type of PCB mount	Bolt mounting
Total PCB surface	12000 mm ²
Thickness of the PCB	0.8 mm ... 3 mm
Supported form factors	Raspberry Pi
Note on PCB holders	This product is prepared for a printed-circuit board. Additional printed-circuit boards can be mounted using adhesive pads (accessories).

Mounting

Mounting type	Screw mounting
Mounting position	any
Tightening torque / speed	Screw connection between housing halves: 1.2 Nm-1.4 Nm / 500 rpm-1000 rpm
	Mounting the PCB: 0.4 Nm-0.5 Nm / 500 rpm-1000 rpm

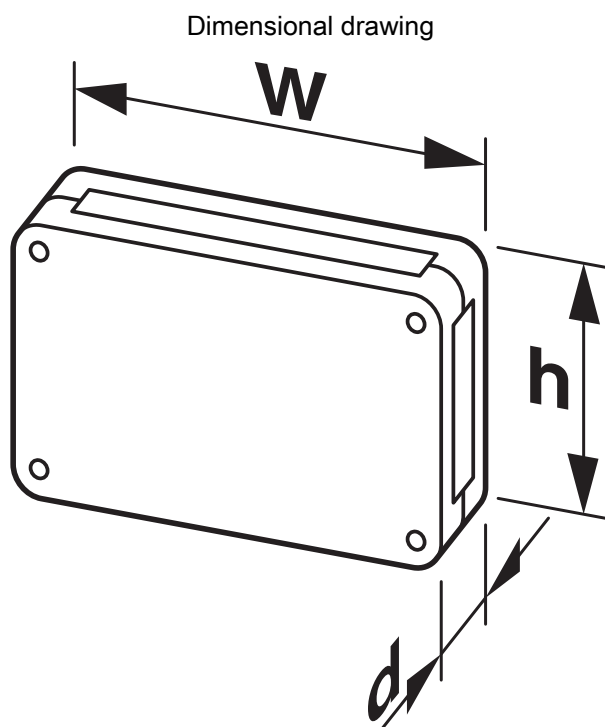
Packaging specifications

Type of packaging	Box packaging
-------------------	---------------

1139242

<https://www.phoenixcontact.com/pc/products/1139242>

Drawings



Schematic representation – for additional information, see product range drawing in the Download Center

UCS 145-125-F-GD-RPI4B 9005 - Universal housings



1139242

<https://www.phoenixcontact.com/pc/products/1139242>

Approvals

To download certificates, visit the product detail page: <https://www.phoenixcontact.com/pc/products/1139242>



UL Recognized

Approval ID: FILE E 240868

1139242

<https://www.phoenixcontact.com/pc/products/1139242>

Classifications

ECLASS

ECLASS-11.0	27182702
ECLASS-13.0	27190603

ETIM

ETIM 9.0	EC001031
----------	----------

UNSPSC

UNSPSC 21.0	31261500
-------------	----------

1139242

<https://www.phoenixcontact.com/pc/products/1139242>

Accessories

SF-TXH 10X80 - Screwdriver

1200149

<https://www.phoenixcontact.com/pc/products/1200149>



Screwdriver, Torx[®] with bore hole, TX 10 x 80, two-component handle

SF-ASD 21 - Cordless screwdriver

1212532

<https://www.phoenixcontact.com/pc/products/1212532>



Cordless screwdriver, including 1.5 Ah battery, forward/reverse running, 21-stage coupling, up to 600 rpm, 6.3 mm hexagonal fast connection drill chuck, torque can be adjusted from 0.3 Nm ... 4.4 Nm

UCS 145-125-F-GD-RPI4B 9005 - Universal housings



1139242

<https://www.phoenixcontact.com/pc/products/1139242>

TSD-M 1,2NM - Torque screwdriver

1212224

<https://www.phoenixcontact.com/pc/products/1212224>



Torque screw driver, accuracy as per EN ISO 6789 standard, adjustable from 0.3 - 1.2 Nm

SF-BIT-TX 10-50 - Screw insert

1212573

<https://www.phoenixcontact.com/pc/products/1212573>



Screw bit, Torx[®], E6.3-1/4" drive, size: TX 10 x 50 mm, hardened, suitable for holder according to DIN 3126-F6.3/ISO 1173

UCS 145-125-F-GD-RPI4B 9005 - Universal housings



1139242

<https://www.phoenixcontact.com/pc/products/1139242>

UCS CC 7035 - Corner inlay

2203395

<https://www.phoenixcontact.com/pc/products/2203395>

Corner inlay for UCS housings, material: polyamide, color: light gray, similar to RAL 7035



UCS CC 9005 - Corner inlay

2203396

<https://www.phoenixcontact.com/pc/products/2203396>

Corner inlay for UCS housings, material: polyamide, color: black, similar to RAL 9005



UCS 145-125-F-GD-RPI4B 9005 - Universal housings



1139242

<https://www.phoenixcontact.com/pc/products/1139242>

UCS SF 3,5X20 - Screw set

2203402

<https://www.phoenixcontact.com/pc/products/2203402>

Screw set for creating a UCS housing of height 47 mm



UCS SF 3,5X40 - Screw set

2203403

<https://www.phoenixcontact.com/pc/products/2203403>

Screw set for creating a UCS housing of height 67 mm



UCS 145-125-F-GD-RPI4B 9005 - Universal housings



1139242

<https://www.phoenixcontact.com/pc/products/1139242>

UCS GD 9005 - Mounting set

2203401

<https://www.phoenixcontact.com/pc/products/2203401>

Adhesive screw boss, for securing the printed-circuit board, material: polyamide;
content 4 pieces with screws 2.5 x 8



UCS PED 9005 - Stand

2203393

<https://www.phoenixcontact.com/pc/products/2203393>

Stand for mounting the UCS housing; height: 47 mm; material: polyamide; color:
black, similar to RAL 9005; wall mounting option is integrated, snaps into the
screw holes of the housing



UCS 145-125-F-GD-RPI4B 9005 - Universal housings



1139242

<https://www.phoenixcontact.com/pc/products/1139242>

UCS PED 7035 - Stand

2203392

<https://www.phoenixcontact.com/pc/products/2203392>



Stand for mounting the UCS housing; height: 47 mm; material: polyamide; color: light gray, similar to RAL 7035; wall mounting option is integrated, snaps into the screw holes of the housing

UCS PED 5018 - Stand

2203394

<https://www.phoenixcontact.com/pc/products/2203394>



Stand for mounting the UCS housing, height: 47 mm; material: polyamide; color: turquoise blue, similar to RAL 5018; wall mounting option is integrated, snaps into the screw holes of the housing

UCS 145-125-F-GD-RPI4B 9005 - Universal housings



1139242

<https://www.phoenixcontact.com/pc/products/1139242>

UCS WM-B 7035 - Wall bracket

2203718

<https://www.phoenixcontact.com/pc/products/2203718>



Adapter for mounting the UCS housing on the wall, material: polyamide, color: light gray similar to RAL 7035, used instead of UCS CC corner insert; only used in conjunction with UCS GD 9005 adhesive pad

UCS WM-B 9005 - Wall bracket

2203719

<https://www.phoenixcontact.com/pc/products/2203719>



Adapter for mounting the UCS housing on the wall, material: polyamide, color: black similar to RAL 9005, used instead of UCS CC corner insert; only used in conjunction with UCS GD 9005 adhesive pad

UCS 145-125-F-GD-RPI4B 9005 - Universal housings



1139242

<https://www.phoenixcontact.com/pc/products/1139242>

UCS WM-B 5018 - Wall bracket

2203391

<https://www.phoenixcontact.com/pc/products/2203391>



Adapter for mounting the UCS housing on the wall, material: polyamide, color: turquoise similar to RAL 5018, used instead of UCS CC corner insert. Only used in conjunction with UCS GD 9005 adhesive pad

UCS CP 7035 - Corner guards

2203346

<https://www.phoenixcontact.com/pc/products/2203346>



Adapter for protecting the corners of the UCS housing; material: TPE-U; color: light gray, similar to RAL 7035; held in the screw holes of the housing

UCS 145-125-F-GD-RPI4B 9005 - Universal housings



1139242

<https://www.phoenixcontact.com/pc/products/1139242>

UCS CP 9005 - Corner guards

2203347

<https://www.phoenixcontact.com/pc/products/2203347>

Adapter for protecting the corners of the UCS housing; material: TPE-U; color: black, similar to RAL 9005; held in the screw holes of the housing



UCS CP 5018 - Corner guards

2203348

<https://www.phoenixcontact.com/pc/products/2203348>

Adapter for protecting the corners of the UCS housing; material: TPE-U; color: turquoise blue, similar to RAL 5018; held in the screw holes of the housing



UCS 145-125-F-GD-RPI4B 9005 - Universal housings

1139242

<https://www.phoenixcontact.com/pc/products/1139242>

UCS CS 7035 - Stacking adapters

2203720

<https://www.phoenixcontact.com/pc/products/2203720>



Adapter for stacking several UCS housings of one size; material: TPE-U; color: light gray, similar to RAL 7035; held in the screw holes of the housing

UCS CS 9005 - Stacking adapters

2203721

<https://www.phoenixcontact.com/pc/products/2203721>



Adapter for stacking several UCS housings of one size; material: TPE-U; color: black, similar to RAL 9005; held in the screw holes of the housing

UCS 145-125-F-GD-RPI4B 9005 - Universal housings



1139242

<https://www.phoenixcontact.com/pc/products/1139242>

UCS CS 5018 - Stacking adapters

1029039

<https://www.phoenixcontact.com/pc/products/1029039>



Adapter for stacking several UCS housings of one size; material: TPE-U; color: turquoise blue, similar to RAL 5018; held in the screw holes of the housing

HS LC-H-D2/ R2XC1-2,54 - Fiber optic

2202316

<https://www.phoenixcontact.com/pc/products/2202316>



Multiple light guides with glare protection, passive, rigid, can be used for the ME, ME-MAX, ME-IO, ME PLC, and EH housing ranges (housing must be processed)

1139242

<https://www.phoenixcontact.com/pc/products/1139242>

HS LC-H-D2/ R2XC2-2,54 - Fiber optic

2202317

<https://www.phoenixcontact.com/pc/products/2202317>



Multiple light guides with glare protection, passive, rigid, can be used for the ME, ME-MAX, ME-IO, ME PLC, and EH housing ranges (housing must be processed)

HS LC-H-D2/ R2XC5-2,54 - Fiber optic

2202318

<https://www.phoenixcontact.com/pc/products/2202318>



Multiple light guides with glare protection, passive, rigid, can be used for the ME, ME-MAX, ME-IO, ME PLC, and EH housing ranges (housing must be processed)

UCS 145-125-F-GD-RPI4B 9005 - Universal housings



1139242

<https://www.phoenixcontact.com/pc/products/1139242>

HS LC-H-D2/ R2XC10-2,54 - Fiber optic

2202319

<https://www.phoenixcontact.com/pc/products/2202319>

Multiple light guides with glare protection, passive, rigid, can be used for the ME, ME-MAX, ME-IO, ME PLC, and EH housing ranges (housing must be processed)



UCS DIN 125-F 7035 - DIN rail adapter

2203838

<https://www.phoenixcontact.com/pc/products/2203838>

DIN rail adapter for mounting one UCS 125-87-F housing (long side) or UCS 145-125-F housing (short side) onto an NS 35 DIN rail; will be set into the housing instead of a UCS SW 125 side wall; material: polycarbonate; color: light gray, similar to RAL 7035



UCS 145-125-F-GD-RPI4B 9005 - Universal housings



1139242

<https://www.phoenixcontact.com/pc/products/1139242>

UCS DIN 145-F 7035 - DIN rail adapter

2203839

<https://www.phoenixcontact.com/pc/products/2203839>

DIN rail adapter for mounting one UCS 145-125-F housing (long side) or UCS 195-145-F housing (short side) onto an NS 35 DIN rail; will be set into the housing instead of a UCS SW 145 side wall; material: polycarbonate; color: light gray, similar to RAL 7035



UCS DIN 125-F 9005 - DIN rail adapter

1174338

<https://www.phoenixcontact.com/pc/products/1174338>

DIN rail adapter for mounting one UCS 125-87-F housing (long side) or UCS 145-125-F housing (short side) onto an NS 35 DIN rail; will be set into the housing instead of a UCS SW 125 side wall; material: polycarbonate; color: black, similar to RAL 9005



UCS 145-125-F-GD-RPI4B 9005 - Universal housings



1139242

<https://www.phoenixcontact.com/pc/products/1139242>

UCS DIN 145-F 9005 - DIN rail adapter

1174341

<https://www.phoenixcontact.com/pc/products/1174341>

DIN rail adapter for mounting one UCS 145-125-F housing (long side) or UCS 195-145-F housing (short side) onto an NS 35 DIN rail; will be set into the housing instead of a UCS SW 145 side wall; material: polycarbonate; color: black, similar to RAL 9005



Phoenix Contact 2024 © - all rights reserved

<https://www.phoenixcontact.com>

PHOENIX CONTACT GmbH & Co. KG

Flachsmarktstraße 8

D-32825 Blomberg

+49 (0) 5235-3 00

info@phoenixcontact.com