

HAPTICORE CONTROL UNIT PRO

Datasheet

V2.1, 06.10.2022

 **HAPTICORE**
by  **EELTECH**

HAPTICORE CONTROL UNIT PRO

Scope of delivery



Hardware

HAPTICORE Control Unit Pro (required to operate Eval Kits)

USB-C cable

12 V Power supply with interchangeable blades

Software

HAPTICORE Xperience (Quick Start Demo Software)

HAPTICORE Customer Test App (for advanced testing and prototyping)

Documentations

Quickstart Guide

HAPTICORE Haptic Functions Documentation

HAPTICORE Firmware Update Guide

HAPTICORE .NET Library Documentation

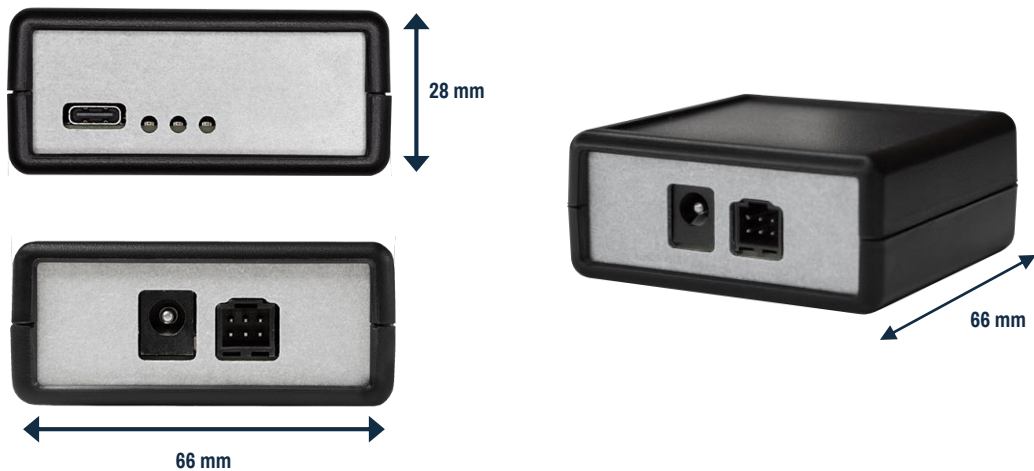
HAPTICORE Serial Communication Protocol Documentation

Libraries

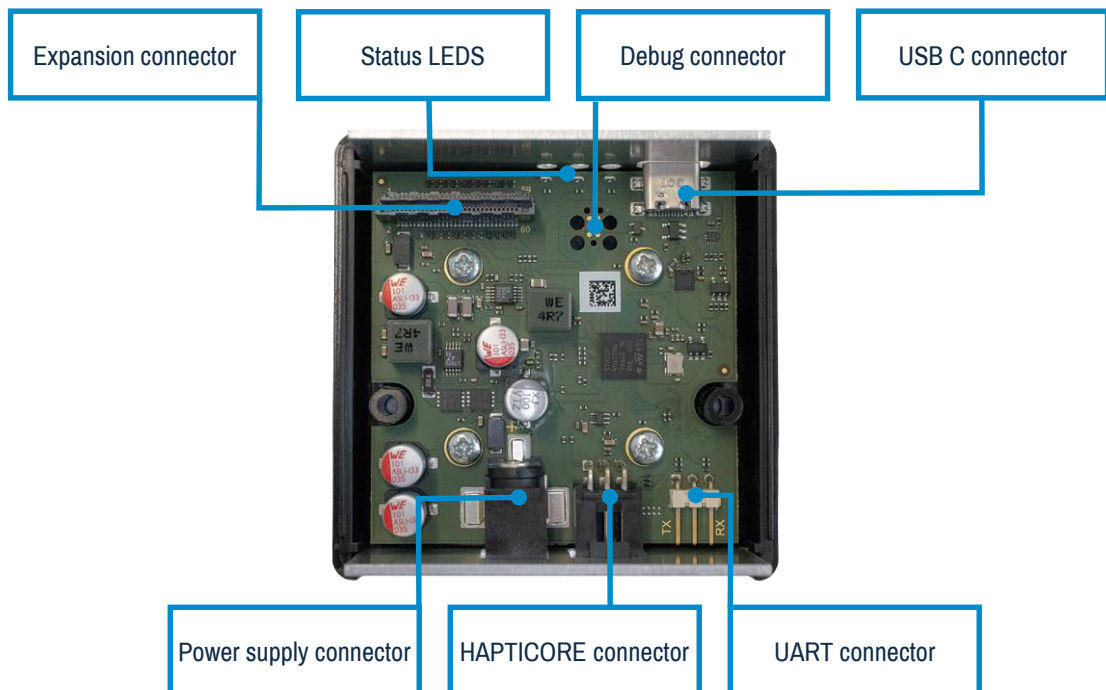
HAPTICORE .NET Library

Find the complete software package at www.xeeltech.com/downloads

Technical specifications



Outer dimensions	66x66x28 mm
Dimensions PCBA	56.6 x 57.5 mm
Available Interfaces	UART / USB
Power supply	8 to 28 V (DC socket min. 1A)
Expansion connector	Yes
ROHS / REACH	Yes



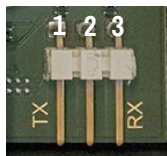


6-pin connector layout



Pin	Signal
1	Coil+
2	Coil-
3	+3V3
4	GND
5	SCL
6	SDA

UART connector layout



Pin	Signal
1	TX
2	GND
3	RX

Status LEDs



LED	Color	Status
1	Red	Error
2	Orange	Coil current
3	Green	Power

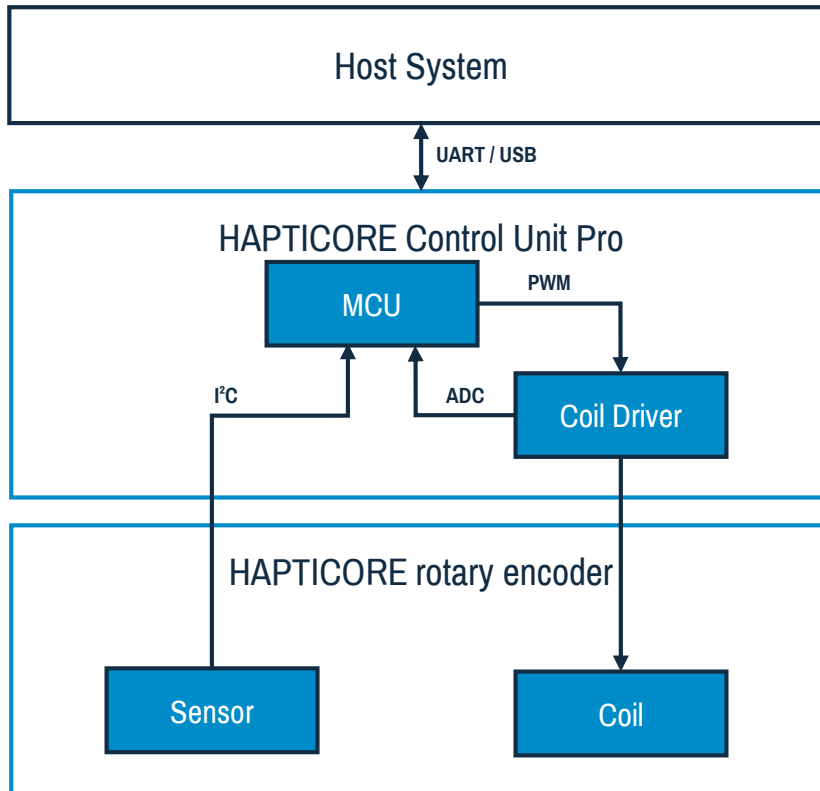
Blinking LEDs indicate an error. The report ID can be read out via the Customer Test App. For assistance with any errors reach out to our integration team.

System configuration

HAPTICORE Eval Kits are your entry to our world of programmable haptic feedback and to help you build your first prototype. To make this process as easy as possible the Eval Kits are designed to work with the HAPTICORE Control Unit to let you connect your Eval Kit to your computer as well as integrate them into your prototype.

The diagram below shows the system configuration and communication setup for your Eval Kit.

Please note that the HAPTICORE Control Unit Pro will not be required for the integration into your serial product.



Contact XeelTech

Do you have questions regarding the HAPTICORE technology, need support during the installation, or are interested in our serial products?

Contact our support team. We are at your disposal at any time.



XeelTech GmbH

Montafonerstraße 68

A-6771 St. Anton im Montafon

Austria

mail@xeeltech.com

+43 5552 93081-0

www.xeeltech.com