

CONTROL COMPONENT

KH-5012 Series



CLASSIFICATION

KH-5012- A 1 1 R
① ② ③ ④

① SHAPE	A: SQUARE
	C: ROUND
② FUNCTION	0: LED PILOT LAMP
	1: ILLUMINATE PUSHBUTTON SWITCH (MOMENTARY)
	2: ILLUMINATED PUSHBUTTON SWITCH(MAINTAINED)
	3: PUSHBUTTON SWITCH (MOMENTARY)
③ CONTACTS	4: PUSHBUTTON SWITCH (MAINTAINED)
	0: NO CONTACTS(LED PILOT LAMP)
④ COLOR	1: 1C (1A1B)
	R: RED
	G: GREEN
	Y: YELLOW
	O: ORANGE
	W: WHITE

Lamp operating voltage is under 2V. Connecting resistor is needed.

Please connect resistor [6V: 270Ω (0.5W), 12V: 680Ω (1W), 24V: 1.3KΩ (1W), 48V: 3.9KΩ (1W)] directly to the terminal.

COLOR	LED(Ø3) RATINGS				
	RED	GREEN	YELLOW	OREANGE	WHITE
VOLTAGE	1.75V	2.1V	2.0V	2.0V	2.0V
CURRENT	25mA				
AVERAGE VOLT.	15 □20mA				
REVERSE VOLT.	4V				

CONTROL COMPONENT

Dimensions

KH-5012-C00



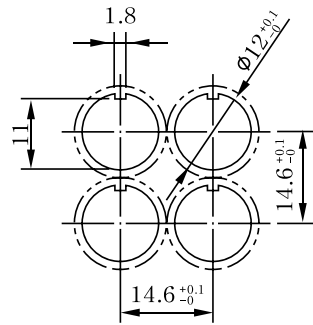
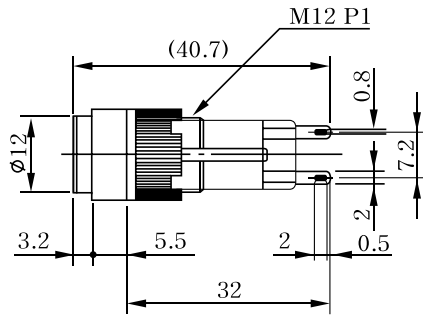
KH-5012-A00



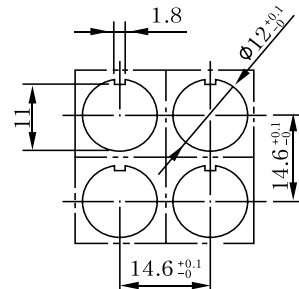
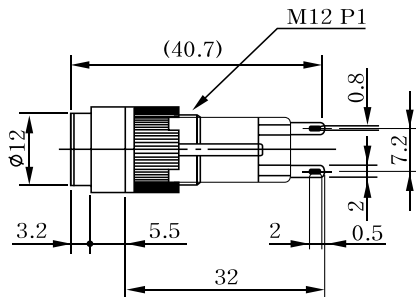
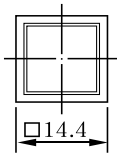
KH-5012-C11
KH-5012-C21
KH-5012-C31
KH-5012-C41



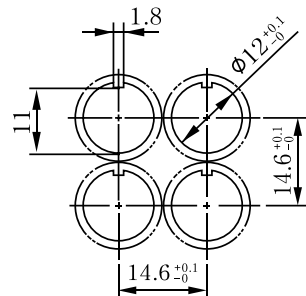
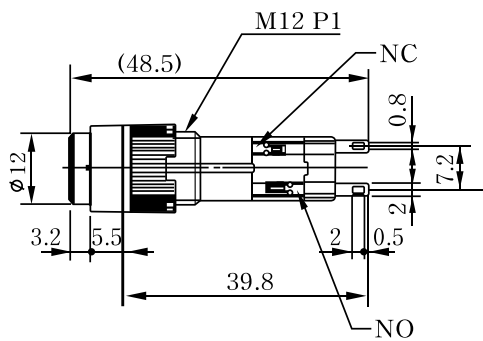
KH- 5012- C00



KH- 5012- A00



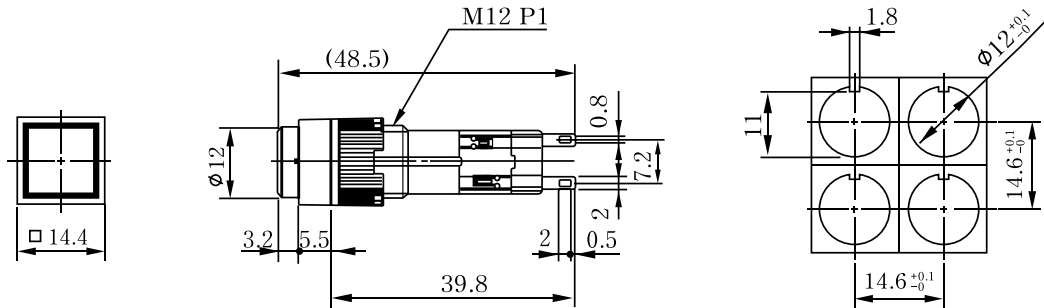
KH- 5012- C11
KH- 5012- C21
KH- 5012- C31
KH- 5012- C41



CONTROL COMPONENT

Dimensions

KH-5012-A11
KH-5012-A21
KH-5012-A31
KH-5012-A41



Specification

Switching System	The switching element of KH- 5012 is equipped with normally open contact and normally closed contact.1C contact available.					
Material	Contact	Silver alloy + Copper	Housing	PC	Buttons	PC
Mechanical Lifetime	Momentary type: 500,000 Cycles of operation Maintained type: 200,000 Cycles of operation					
Standards	This product comply with “ Standards for low- voltage switching devices” EN IEC 60947- 5- 1					
Contact Ratings	250VAC 1A (resistive load)					
Insulation Resistance	Minimum 100MΩ (500VDC)					
Contact Resistance	Maximum 30mΩ					
Electrical Lifetime	70,000 cycles of operation					
Dielectric Strength	Between Live Parts: 1,000VAC(50/60Hz) for 1 minute Between Live and Dead Parts: 1,000VAC(50/60Hz) for 1 minute					
Lamp Ratings	LED LAMP: DC2V 20mA					
Operational Temperature	- 15° C □+50° C Max. Ambient Temperature Rating : 50 °C.					
Operational Humidity	45 □85%RH					
Protection Degree	IP40					
Shock Resistance	Approximately 100G(1,000m/s2)					
Vibration Resistance	10 □5Hz double amplitude 1.5mm (at X, Y and Z axis)					
Approbations	KC					
Declaration of Conformity	None					

CONTROL COMPONENT

KH-516 Series



CLASSIFICATION

KH- 516L- A 1 2- R (12)

① ② ③ ④ ⑤ ⑥

① SHAPE	A: SQUARE
	B: RECTANGLE
	C: ROUND
	D: EMERGENCY STOP
② FUNCTION	0: PILOT LAMP
	1: ILLUMINATE PUSHBUTTON SWITCH (MOMENTARY)
	2: ILLUMINATED PUSHBUTTON SWITCH(MAINTAINED)
	3: PUSHBUTTON SWITCH (MOMENTARY)
③ CONTACTS	4: PUSHBUTTON SWITCH (MAINTAINED)
	0: NO CONTACTS(PILOT LAMP)
	1: 1C (1A1B)
④ COLOR	2: 2C (2A2B)
	R: RED
	G:GREEN
	Y: YELLOW
	O: ORANGE
	W: WHITE
	B: BLUE
⑤ INPUT VOLTAGE	6: 6V
	12:12V
	24: 24V

CONTROL COMPONENTS

MICRO SWITCH

FOOT SWITCH

LIMIT SWITCH

POWER SWITCH

HOIST SWITCH

CAM SWITCH

CONTROL COMPONENT

PILOT LAMPS

KH- 516- C00
KH- 516L- C00



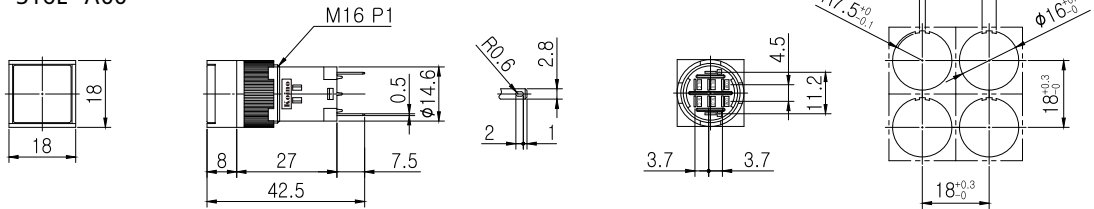
KH- 516- A00
KH- 516L- A00



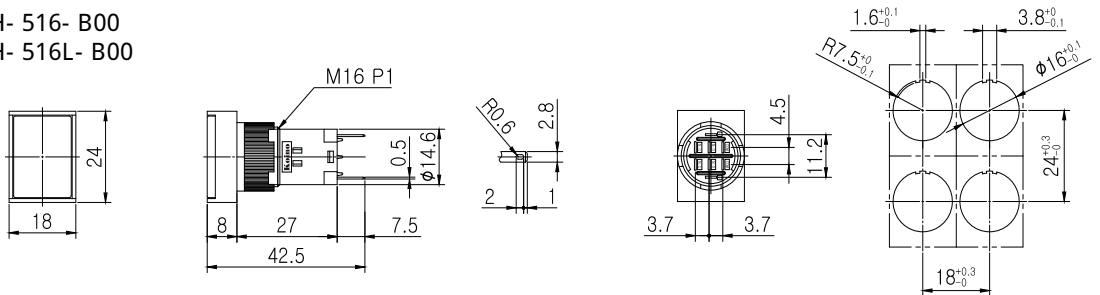
KH- 516- B00
KH- 516L- B00



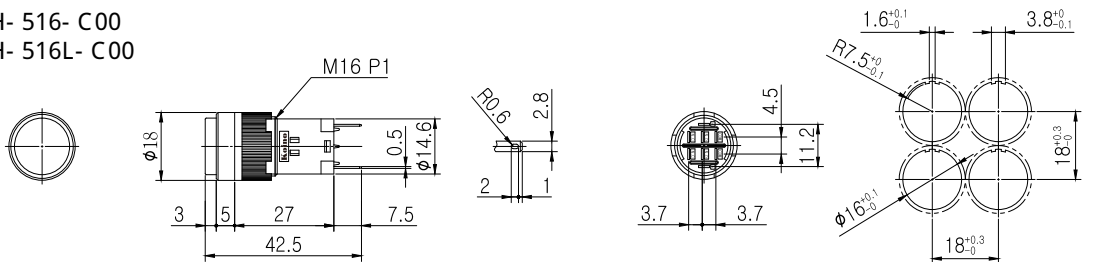
KH- 516- A00
KH- 516L- A00



KH- 516- B00
KH- 516L- B00



KH- 516- C00
KH- 516L- C00



CONTROL COMPONENT

ILLUMINATED PUSHBUTTON SWITCH(MOMENTARY)

KH- 516- C11,12
KH- 516L- C11,12



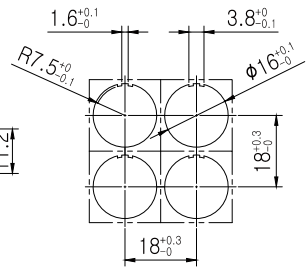
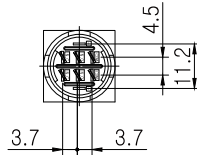
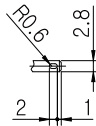
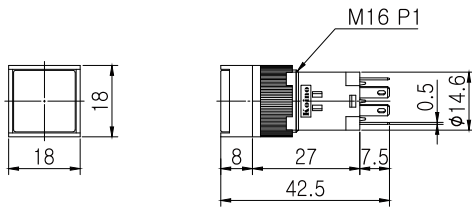
KH- 516- A11,12
KH- 516L- A11,12



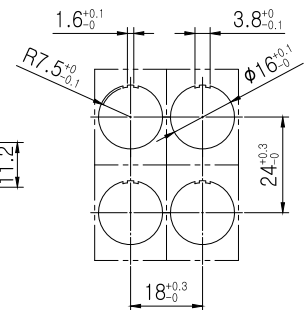
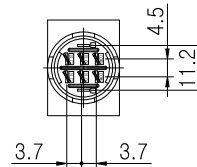
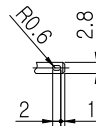
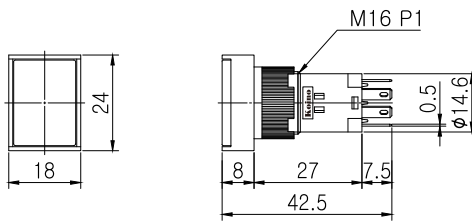
KH- 516- B11,12
KH- 516L- B11,12



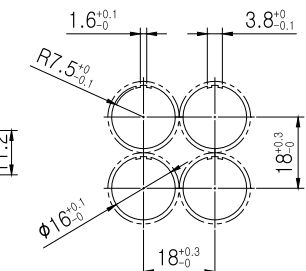
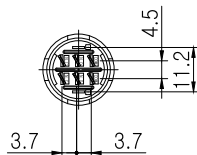
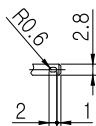
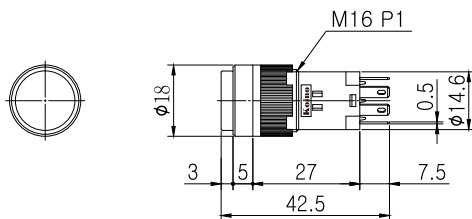
KH- 516- A11(1c),A12(2c)
KH- 516L- A11(1c),A12(2c)



KH- 516- B11(1c),B12(2c)
KH- 516L- B11(1c),B12(2c)



KH- 516- C11(1c),C12(2c)
KH- 516L- C11(1c),C12(2c)



CONTROL COMPONENTS

MICRO SWITCH

FOOT SWITCH

LIMIT SWITCH

POWER SWITCH

HOIST SWITCH

CAM SWITCH

CONTROL COMPONENT

ILLUMINATED PUSHBUTTON SWITCH(MAINTAINED)

KH- 516- C21,22
KH- 516L- C21,22



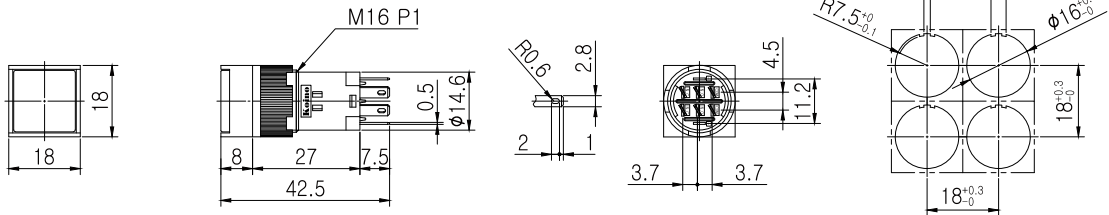
KH- 516- A21,22
KH- 516L- A21,22



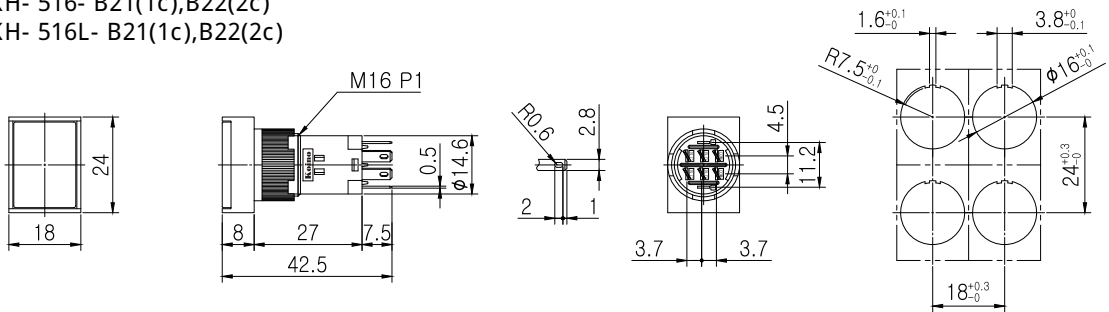
KH- 516- B21,22
KH- 516L- B21,22



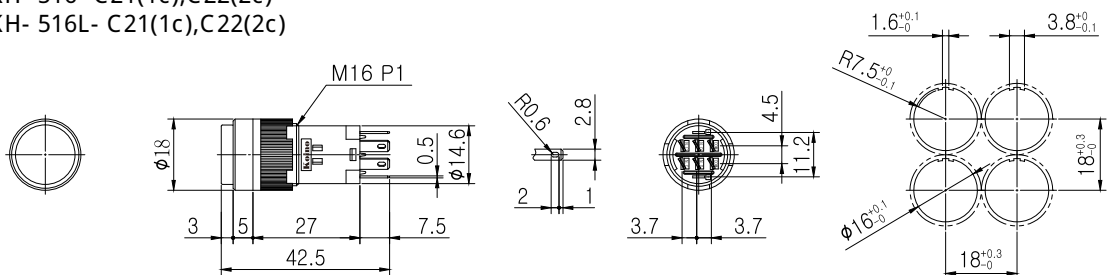
KH- 516- A21(1c),A22(2c)
KH- 516L- A21(1c),A22(2c)



KH- 516- B21(1c),B22(2c)
KH- 516L- B21(1c),B22(2c)



KH- 516- C21(1c),C22(2c)
KH- 516L- C21(1c),C22(2c)



CONTROL COMPONENT

PUSHBUTTON SWITCH(MOMENTARY)

KH- 516- C31,32



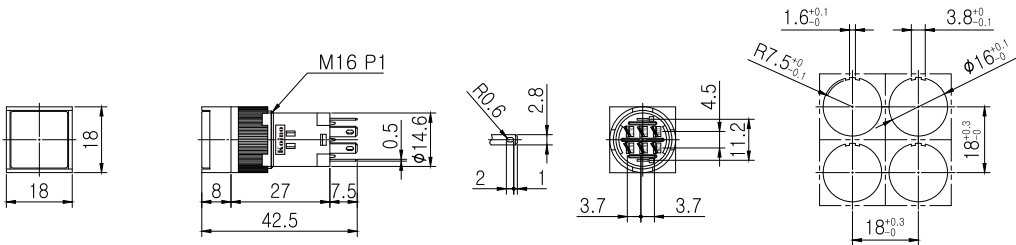
KH- 516- A31,32



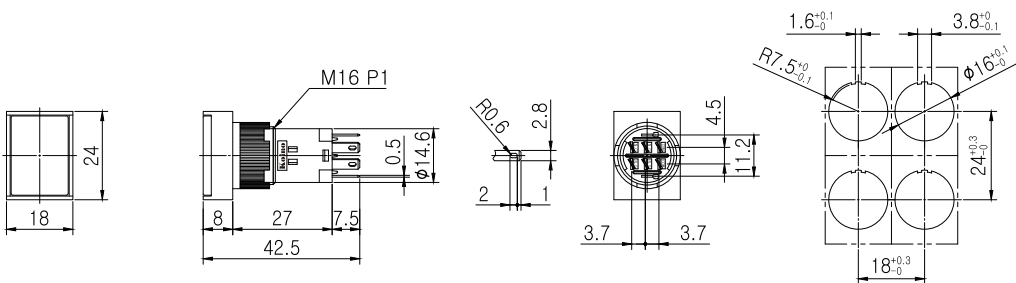
KH- 516- B31,32



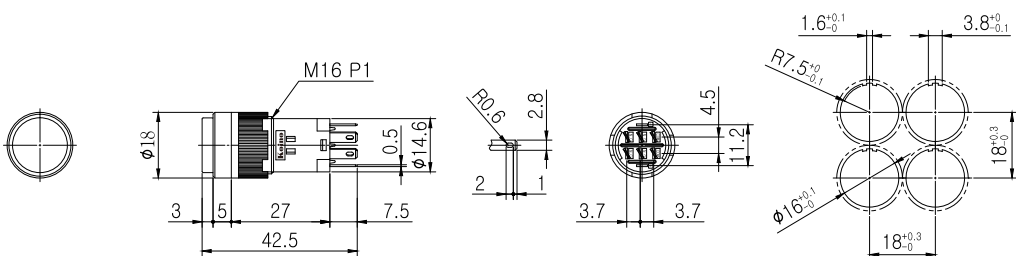
KH- 516- A31(1c),A32(2c)



KH- 516- B31(1c),B32(2c)



KH- 516- C31(1c),C32(2c)



CONTROL COMPONENT

PUSHBUTTON SWITCH(MAINTAINED)

KH- 516- C41,42



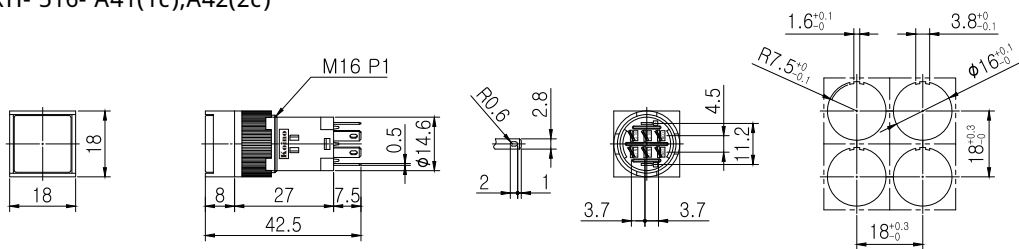
KH- 516- A41,42



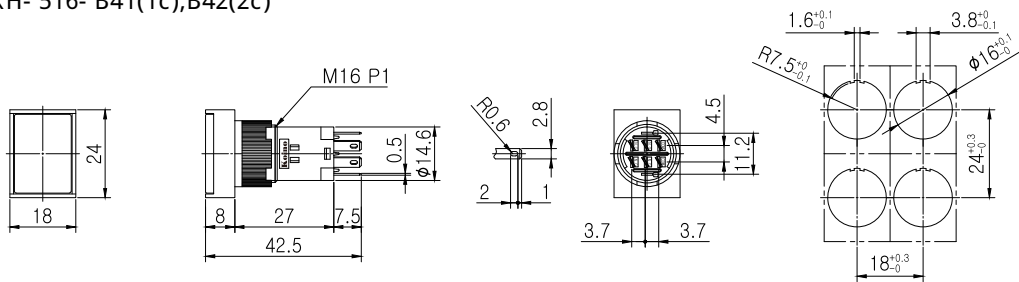
KH- 516- B41,42



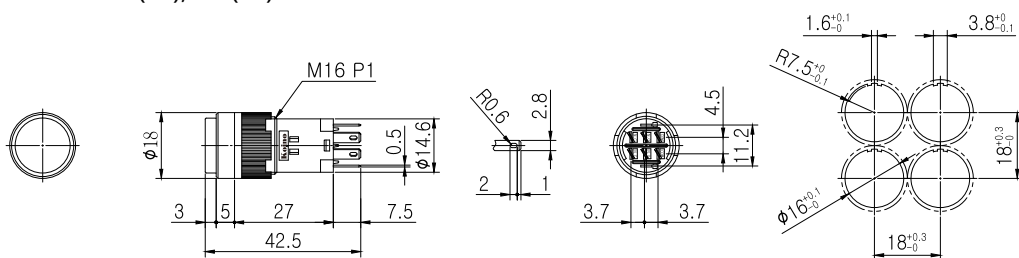
KH- 516- A41(1c),A42(2c)



KH- 516- B41(1c),B42(2c)



KH- 516- C41(1c),C42(2c)



CONTROL COMPONENT

PUSHBUTTON SWITCH(MUSHROOM HEAD TYPE)

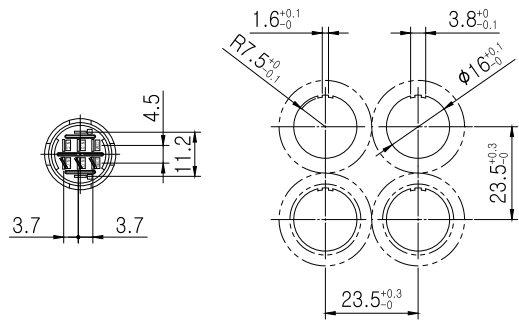
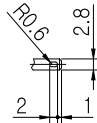
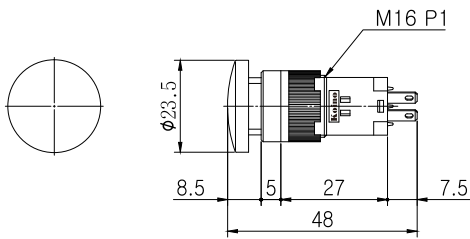
KH- 516- D31,32
MOMENTARY



KH- 516- D41,42
MAINTAINED



KH- 516- D31,32 KH- 516- D41,42

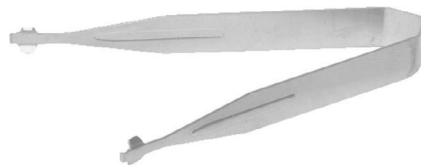


ACCESSORIES

KA- 16
SAFETY COVER FOR KH- 516



LAMP REMOVAL TOOL
FOR KH- 516



ANTI- ROTATION RING



CONTROL COMPONENTS

MICRO SWITCH

FOOT SWITCH

LIMIT SWITCH

POWER SWITCH

HOIST SWITCH

CAM SWITCH

CONTROL COMPONENT

Specification

Switching System	The switching element of KH- 516 is equipped with normally open contact and normally closed contact.1C and 2C contact available.					
Material	Contact	Silver alloy + Copper	Housing	Nylon galss	Buttons	PC
Mechanical Lifetime	Momentary type: 500,000 Cycles of operation Maintained type: 200,000 Cycles of operation					
Install	Tightening torque : Max. 6Kg/F.Cm					
Standards	This product comply with “ Standards for low- voltage switching devices” EN IEC 60947- 5- 1					
Contact Ratings	250VAC 1A (resistive load)					
Insulation Resistance	Minimum 100MΩ (500VDC)					
Contact Resistance	Maximum 30mΩ					
Electrical Lifetime	70,000 cycles of operation					
Dielectric Strength	Between Live Parts: 1,000VAC(50/60Hz) for 1 minute Between Live and Dead Parts: 1,000VAC(50/60Hz) for 1 minute					
Lamp Ratings	FILAMENT LAMP: 6V(60mA), 12V(40mA), 24V(24mA) LED LAMP: DC 6V(40mA), DC 12V(20mA), DC 24V(20mA)					
Operational Temperature	- 15°C □+50°C					
Operational Humidity	45 □85%RH					
Protection Degree	IP40					
Shock Resistance	Approximately 100G(1,000m/s ²)					
Vibration Resistance	10 □55Hz double amplitude 1.5mm (at X, Y and Z axis)					
Approbations	KC					
Declaration of Conformity	None					

PUSHBUTTON SWITCH KPB16 Series



CLASSIFICATION

KPB- 16 S M - R 1
① ② ③ ④

① SHAPE	NONE	ROUND	NONE	Ø18mm Head
			0	Ø25mm Head Flush Mounting Type
			1	Ø25mm Head
② ACTUATOR	S	SQUARE		
	R	RECTANGULAR		
③ COLOR	M	MOMENTARY		
	AT	MAINTAINED		
④ CONTACTS	R	RED		
	G	GREEN		
	Y	YELLOW		
	O	ORANGE		
	W	WHITE		
	B	BLUE		
④ CONTACTS	1	1C		
	2	2C		

CONTROL COMPONENTS

MICRO SWITCH

FOOT SWITCH

LIMIT SWITCH

POWER SWITCH

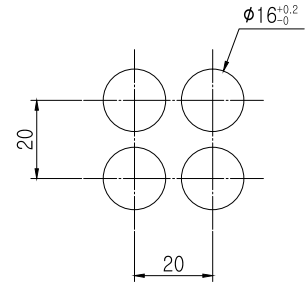
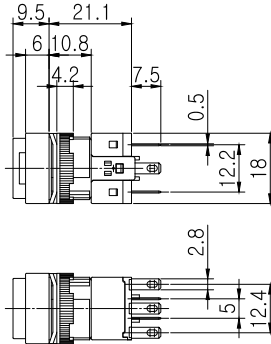
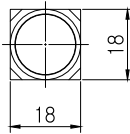
HOIST SWITCH

CAM SWITCH

Dimensions



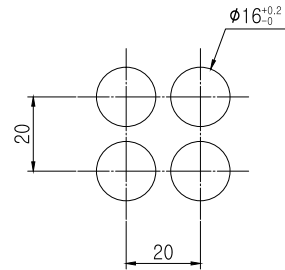
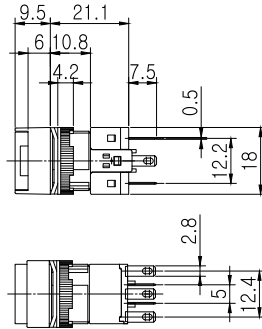
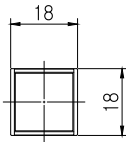
KPB16M
KPB16AT



Panel Cut Size



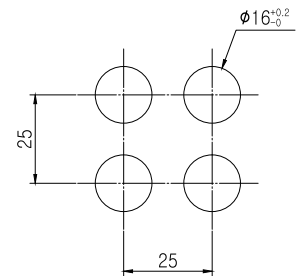
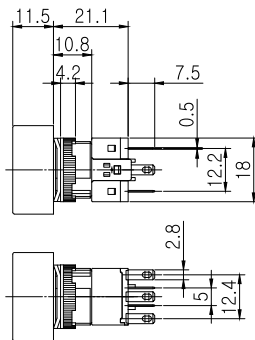
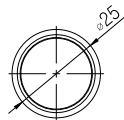
KPB16SM
KPB16SAT



Panel Cut Size



KPB160M
KPB160AT

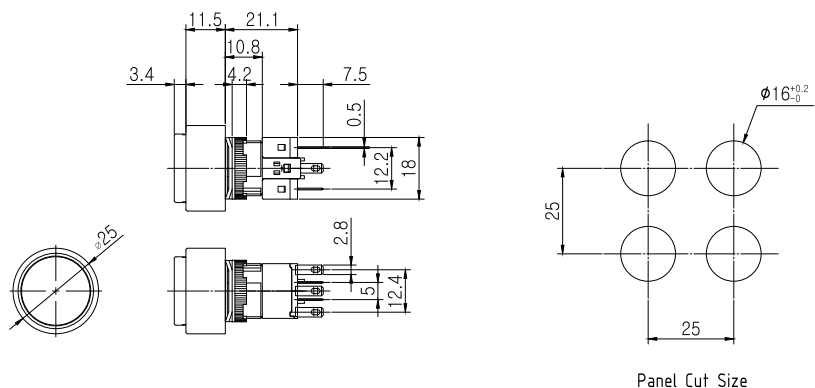


Panel Cut Size

Dimensions



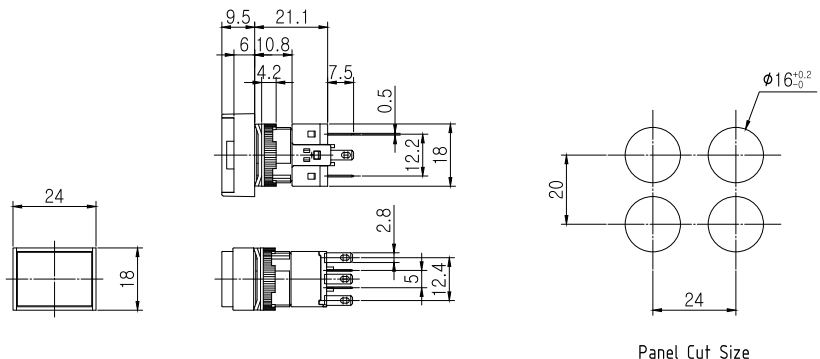
KPB161M
KPB161AT



Panel Cut Size



KPB16RM
KPB16RAT



Panel Cut Size

ACCESSORIES

KA-16
SAFETY COVER FOR KH-516



ANTI-ROTATION RING



Specification

Switching System	The switching element of KPB16 is equipped with normally open contact and normally closed contact. 1C and 2C contact available.					
Material	Contact	Silver alloy + Copper	Housing	BODY: Nylon glass CONTACT HOUSING: PBT	Buttons	PC
Mechanical Lifetime	Momentary type: 1,000,000 Cycles of operation Maintained type: 200,000 Cycles of operation					
Install	Tightening torque : Max. 6Kg/F.Cm					
Standards	This product comply with " Standards for low- voltage switching devices" EN IEC 60947- 5- 1					
Contact Ratings	250VAC 3A (resistive load)					
Insulation Resistance	Minimum 100MΩ (500VDC)					
Contact Resistance	Maximum 30mΩ					
Electrical Lifetime	100,000 cycles of operation					
Dielectric Strength	Between Live Parts: 1,000VAC(50/60Hz) for 1 minute Between Live and Dead Parts: 1,000VAC(50/60Hz) for 1 minute					
Operational Temperature	- 15° C □+50° C					
Operational Humidity	45 □85%RH					
Protection Degree	IP40					
Shock Resistance	Approximately 10G(1,000m/s ²)					
Vibration Resistance	10 □55Hz double amplitude 1.5mm (at X, Y and Z axis)					
Approbations	UL, CCC, KC					
Declaration of Conformity	CE					

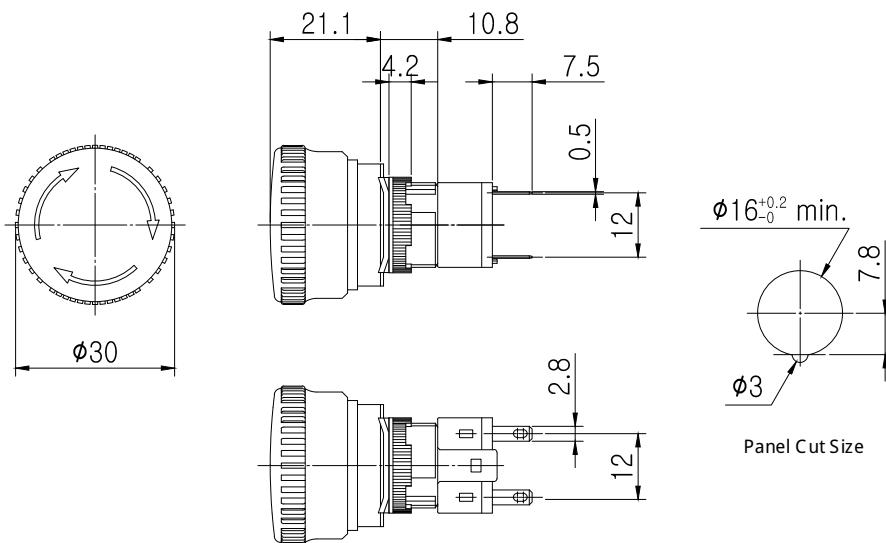
EMERGENCY STOP SWITCH **KEPB16ER**



CLASSIFICATION

KEPB16ER - R 1B
 ① ②

① COLOR	R	RED
	G	GREEN
	Y	YELLOW
② CONTACTS	1A	1A
	1B	1B
	2A	2A
	2B	2B
	1A1B	1A1B



CONTROL COMPONENTS

MICRO SWITCH

FOOT SWITCH

LIMIT SWITCH

POWER SWITCH

HOIST SWITCH

CAM SWITCH

Specification

Switching System	The switching element of KEPB16 is equipped with normally open contact and normally closed contact. 1A, 1B, 2A, 2B, and 1A1B contact available.					
Material	Contact	Silver alloy + Copper	Housing	BODY: Nylon glass CONTACT HOUSING: PBT	Buttons	PC
Mechanical Lifetime	1,000,000 Cycles of operation					
Install	Tightening torque : Max. 6Kg/F.Cm					
Standards	This product comply with " Standards for low- voltage switching devices" EN IEC 60947- 5- 1					
Contact Ratings	250VAC 3A (resistive load)					
Insulation Resistance	Minimum 100MΩ (500VDC)					
Contact Resistance	Maximum 30mΩ					
Electrical Lifetime	100,000 cycles of operation					
Dielectric Strength	Between Live Parts: 1,000VAC(50/60Hz) for 1 minute Between Live and Dead Parts: 1,000VAC(50/60Hz) for 1 minute					
Operational Temperature	- 15°C □+ 50°C					
Operational Humidity	45 □85%RH					
Protection Degree	IP40					
Shock Resistance	Approximately 100G(1,000m/s ²)					
Vibration Resistance	10 □55Hz double amplitude 1.5mm (at X, Y and Z axis)					
Approbations	UL, CCC, KC					
Declaration of Conformity	CE					

KEPB160ER

Mounting cut- out : $\varnothing 16\text{mm}$

Front dimension : $\varnothing 28\text{mm}$

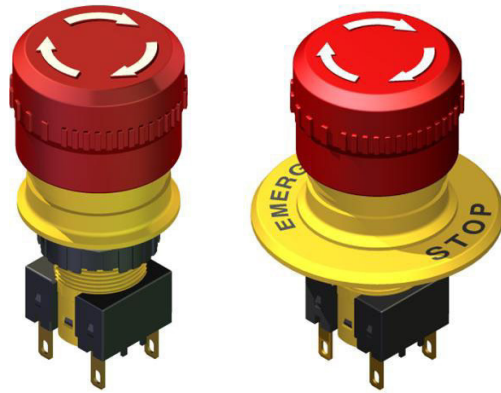
Marking: Arrows

IP- Rating : IP65

Switching action : Maintained

Function : Emergency STOP Switch

Twist to unlock clockwise



INSTALLATION



Dimensions



LP16-1



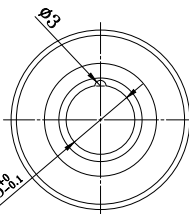
LP16-2



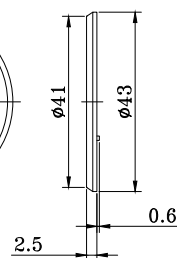
LP16-1



LP16-2



LP16-3



CONTROL COMPONENTS

MICRO SWITCH

FOOT SWITCH

LIMIT SWITCH

POWER SWITCH

HOIST SWITCH

CAM SWITCH

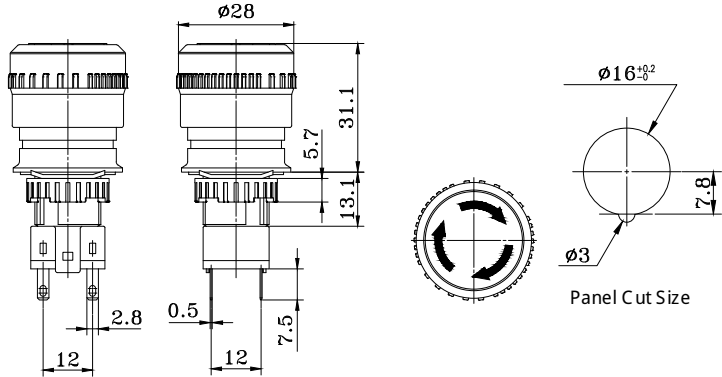
Dimensions

KEPB160ER

KEPB160ERS



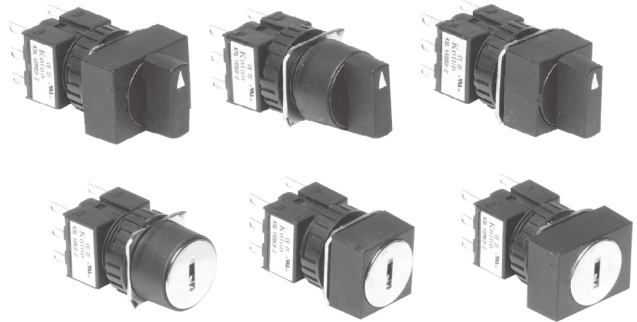
White arrows



Specification

Switching System	The switching element of KEPB160ERS is equipped with normally open contact or normally closed contact. The normally closed contact has direct opening or forced opening structure.					
Material	Contact	Silver alloy + Copper	Housing	Nylon	Buttons	PC
Mechanical Lifetime	150,000 Cycles of operation					
Standards	This product comply with " Standards for low- voltage switching devices" EN IEC 60947- 5- 1					
Contact Ratings	250VAC 3A, 125VAC 5A (resistive load)					
Insulation Resistance	Minimum 100MΩ (500VDC)					
Contact Resistance	Maximum 30mΩ					
Electrical Lifetime	100,000 cycles of operation					
Operational Temperature	- 15° C □+50° C					
Protection Degree	IP65					
Shock Resistance	Approximately 15G					
Vibration Resistance	10 □55Hz double amplitude 1.5mm (at X, Y and Z axis)					
Approbations	UL					
Declaration of Conformity	CE					

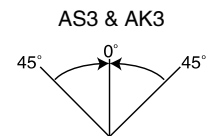
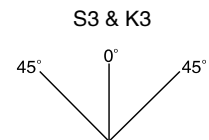
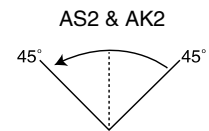
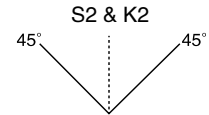
SELECTOR SWITCH KSL16 Series



CLASSIFICATION

KSL16 S S2 - L 1C R 1
 ① ② ③ ④ ⑤ ⑥

① SHAPE	NONE	ROUND
	S	SQUARE
	R	RECTANGULAR
② ACTUATOR	S2	2 STEPS MANUAL RETURN
	AS2	2 STEPS SPRING RETURN
	S3	3 STEPS MANUAL RETURN
	AS3	3 STEPS SPRING RETURN
	K2	2 STEPS MANUAL RETURN WITH KEY
	AK2	2 STEPS SPRING RETURN WITH KEY
	K3	3 STEPS MANUAL RETURN WITH KEY
③ LAMP	NONE	NO LAMP
	F	FILAMENT LAMP
	L	LED LAMP
④ INPUT VOLTAGE	1C	6V
	2C	12V
	3C	24V
⑤ COLOR	R	RED
	G	GREEN
	Y	YELLOW
	O	ORANGE
	W	WHITE
⑥ CONTACTS	1	1C
	2	2C



CONTROL COMPONENTS

MICRO SWITCH

FOOT SWITCH

LIMIT SWITCH

POWER SWITCH

HOIST SWITCH

CAM SWITCH

Dimensions

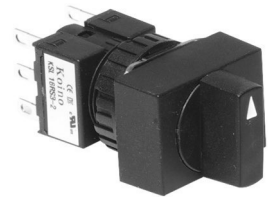
KSL16S2,AS2
KSL16S3,AS3



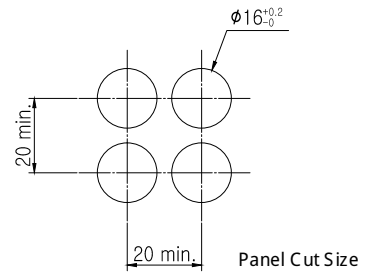
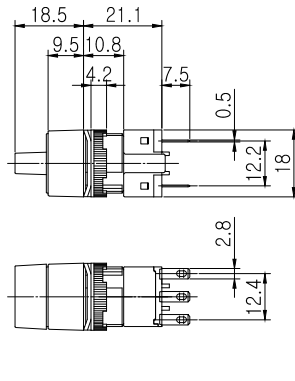
KSL16SS2,SAS2
KSL16SS3,SAS3



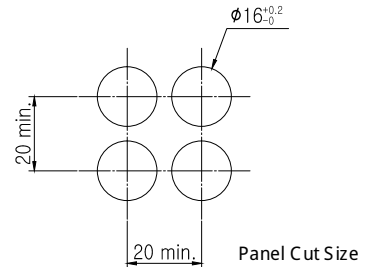
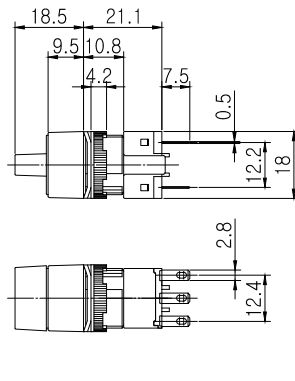
KSL16RS2,RAS2
KSL16RS3,RAS3



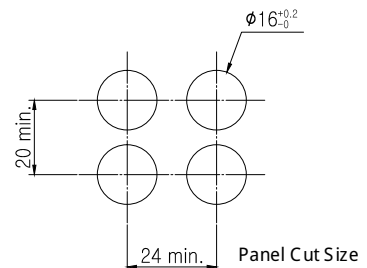
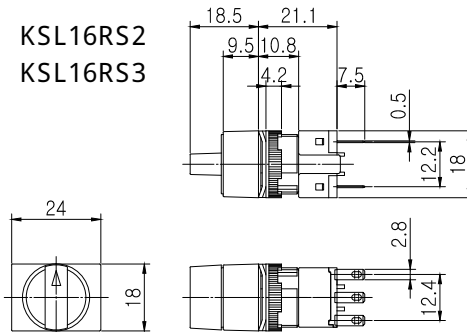
KSL16S2
KSL16S3



KSL16SS2
KSL16SS3



KSL16RS2
KSL16RS3

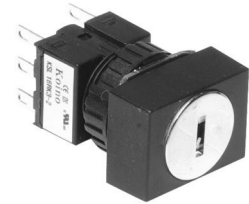


Dimensions

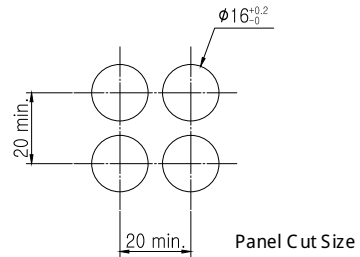
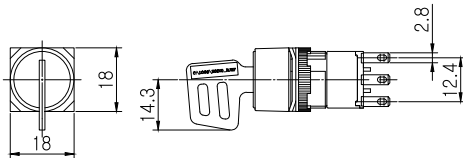
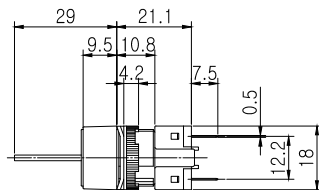
KSL16K2,AK2
KSL16K3,AK3

KSL16SK2,SAK2
KSL16SK3,SAK3

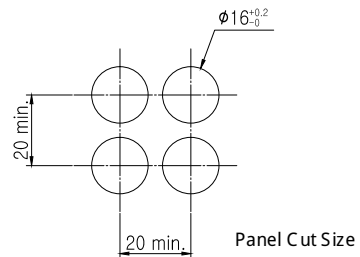
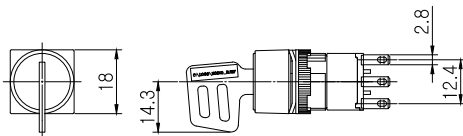
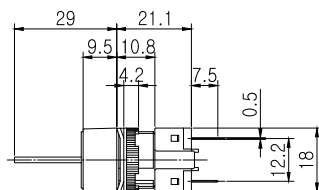
KSL16RK2,RAK2
KSL16RK3,RAK3



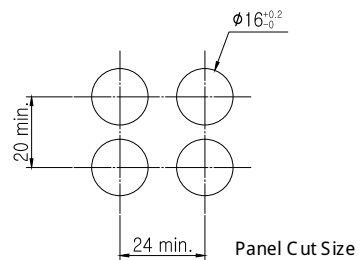
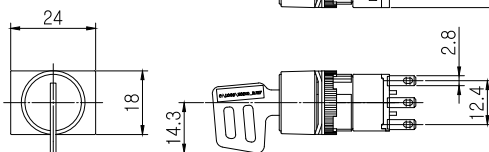
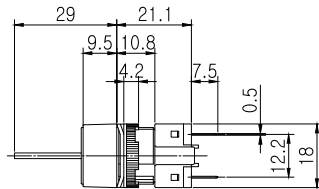
KSL16K2
KSL16K3



KSL16SK2
KSL16SK3



KSLR16SK2
KSLR16SK3



CONTROL COMPONENTS

MICRO SWITCH

FOOT SWITCH

LIMIT SWITCH

POWER SWITCH

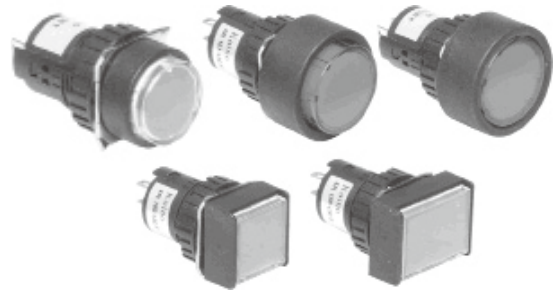
HOIST SWITCH

CAM SWITCH

Specification

Switching System	The switching element of KSL16 is equipped with normally open contact and normally closed contact. 1C and 2C contact available.					
Material	Contact	Silver alloy + Copper	Housing	BODY: Nylon glass CONTACT HOUSING: PBT	Knob	Nylon glass
Mechanical Lifetime	100,000 Cycles of operation					
Install	Tightening torque : Max. 6Kg/F.Cm					
Standards	This product comply with " Standards for low- voltage switching devices" EN IEC 60947- 5- 1					
Contact Ratings	250VAC 3A (resistive load)					
Insulation Resistance	Minimum 100MΩ (500VDC)					
Contact Resistance	Maximum 30mΩ					
Electrical Lifetime	100,000 cycles of operation					
Dielectric Strength	Between Live Parts: 1,000VAC(50/60Hz) for 1 minute Between Live and Dead Parts: 1,000VAC(50/60Hz) for 1 minute					
Operational Temperature	- 15° C □+50° C					
Operational Humidity	45 □85%RH					
Protection Degree	IP40					
Shock Resistance	Approximately 10G(1,000m/s ²)					
Vibration Resistance	10 □5Hz double amplitude 1.5mm (at X, Y and Z axis)					
Approbations	UL, CCC, KC					
Declaration of Conformity	CE					

PILOT LAMP KPL16 Series

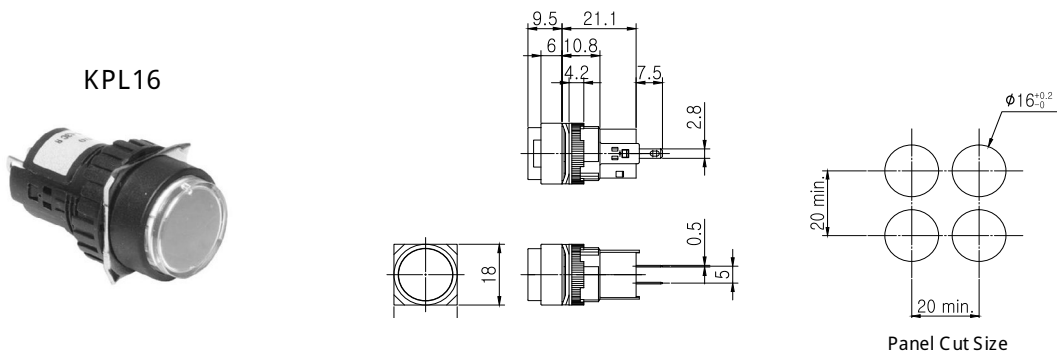


CLASSIFICATION

KPL16 $\frac{R}{①}$ - $\frac{L}{②}$ $\frac{1C}{③}$ $\frac{R}{④}$

① SHAPE	NONE	ROUND	NONE	Ø18mm Head
			0	Ø25mm Head FlushType
			1	Ø25mm Head
	S	SQUARE		
R	RECTANGULAR			
② LAMP	NONE	FILAMENT LAMP		
	L	LED LAMP		
③ INPUT VOLTAGE	1C	6V		
	2C	12V		
	3C	24V		
④ COLOR	R	RED		
	G	GREEN		
	Y	YELLOW		
	O	ORANGE		
	W	WHITE		
	B	BLUE		

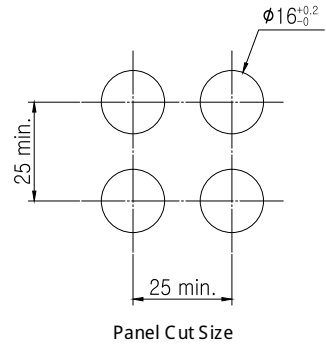
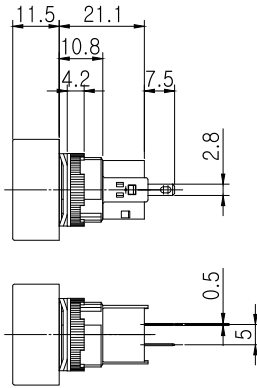
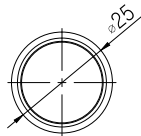
Dimensions



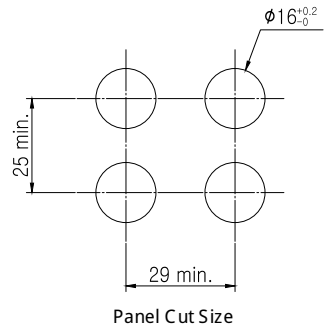
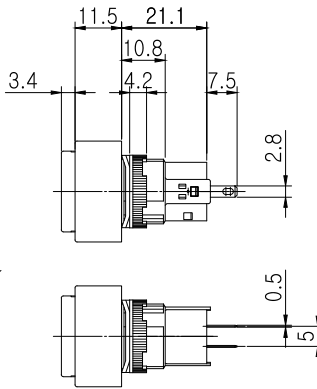
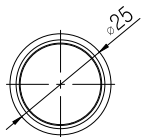
CONTROL COMPONENTS
MICRO SWITCH
FOOT SWITCH
LIMIT SWITCH
POWER SWITCH
HOIST SWITCH
CAM SWITCH

Dimensions

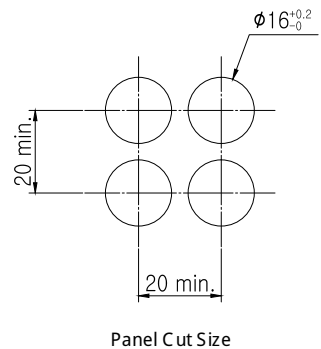
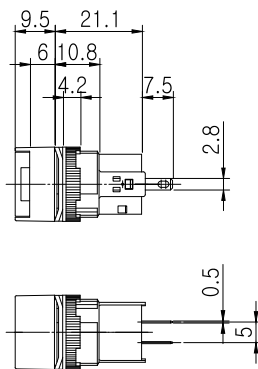
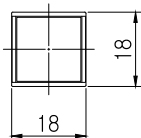
KPL160



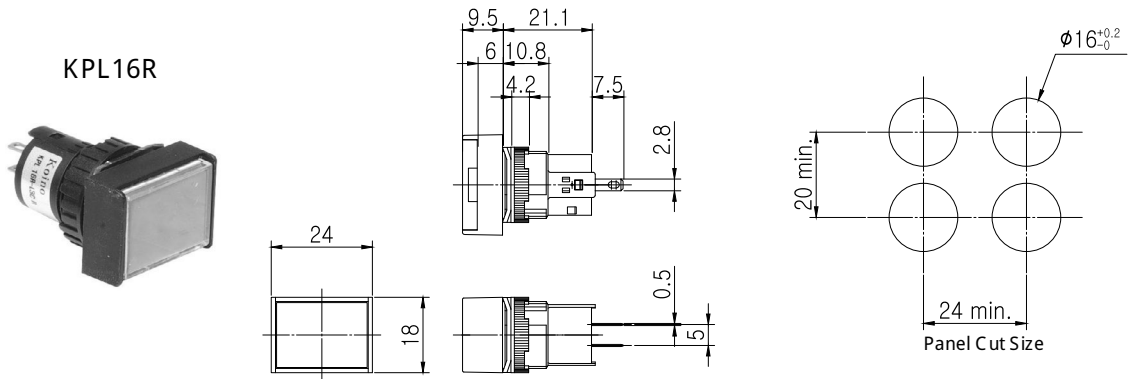
KPL161



KPL16S



Dimensions



Specification

Material	Housing	BODY: Nylon glass RING: Nylon glass	Cap	PC
Install	Tightening torque : Max. 6Kg/F.Cm			
Standards	This product comply with " Standards for low- voltage switching devices" EN IEC 60947- 5- 1			
Insulation Resistance	Minimum 100MΩ (500VDC)			
Contact Resistance	Maximum 30mΩ			
Electrical Lifetime	15,000 hours (for LED lamp)			
Dielectric Strength	Between Live Parts: 1,000VAC(50/60Hz) for 1 minute Between Live and Dead Parts: 1,000VAC(50/60Hz) for 1 minute			
Operational Temperature	- 15° C □+ 50° C			
Operational Humidity	45 □85%RH			
Protection Degree	IP40			
Shock Resistance	Approximately 10G(1,000m/s ²)			
Vibration Resistance	10 □55Hz double amplitude 1.5mm (at X, Y and Z axis)			
Approbations	UL, CCC, KC			
Declaration of Conformity	CE			

ILLUMINATED PUSHBUTTON SWITCH **KBL16 Series**



CLASSIFICATION

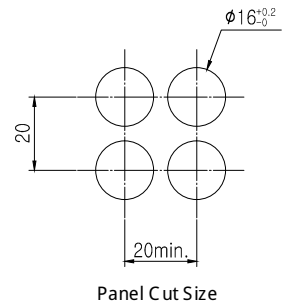
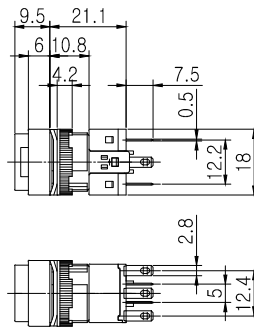
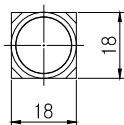
KBL16 S M - L 1C R 1

① ② ③ ④ ⑤ ⑥

① SHAPE	NONE	ROUND	NONE	Ø18mm Head
			0	Ø25mm Head FlushType
			1	Ø25mm Head
	S		SQUARE	
	R		RECTANGULAR	
② ACTUATOR	M		MOMENTARY	
	AT		MAINTAINED	
③ LAMP	NONE		FILAMENT LAMP	
	L		LED LAMP	
④ INPUT VOLTAGE	1C		6V	
	2C		12V	
	3C		24V	
⑤ COLOR	R		RED	
	G		GREEN	
	Y		YELLOW	
	O		ORANGE	
	W		WHITE	
	B		BLUE	
⑥ CONTACTS	1		1C	
	2		2C	

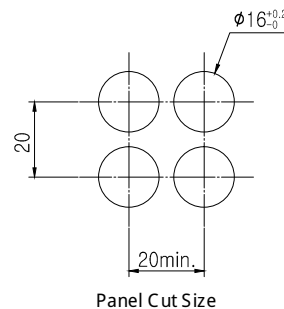
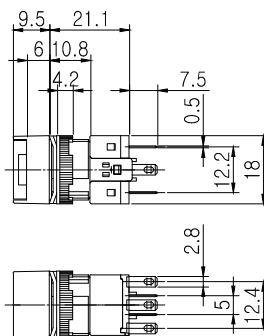
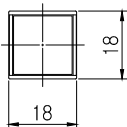
Dimensions

KBL16M
KBL16AT

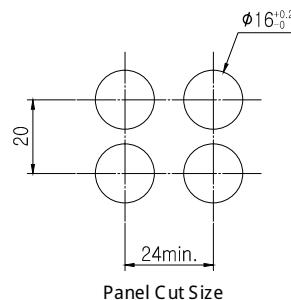
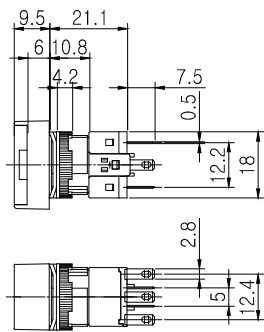
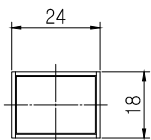
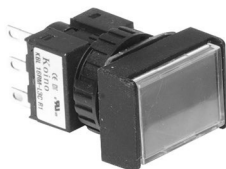


Dimensions

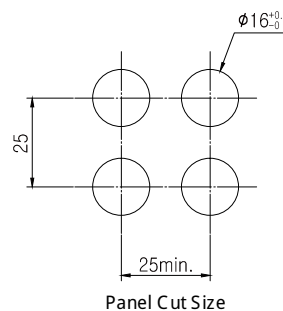
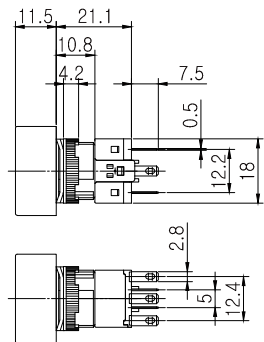
KBL16SM
KBL16SAT



KBL16RM
KBL16RAT



KBL160M
KBL160AT



CONTROL COMPONENTS

MICRO SWITCH

FOOT SWITCH

LIMIT SWITCH

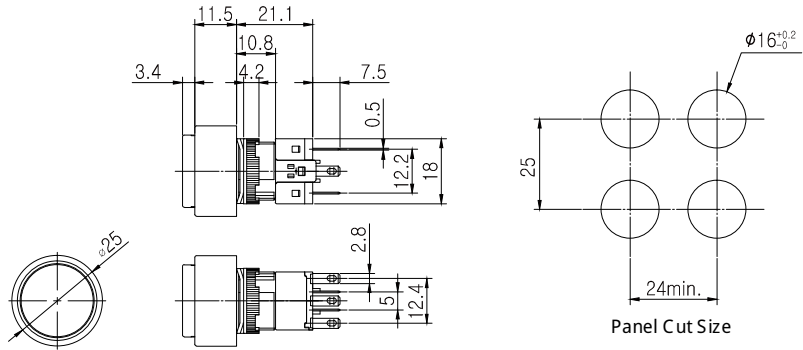
POWER SWITCH

HOIST SWITCH

CAM SWITCH

Dimensions

KBL161M
KBL161AT



Specification

Switching System	The switching element of KPB16 is equipped with normally open contact and normally closed contact. 1C and 2C contact available.					
Material	Contact	Silver alloy + Copper	Housing	BODY: Nylon glass CONTACT HOUSING: PBT	Buttons	PC
Mechanical Lifetime	Momentary type: 1,000,000 Cycles of operation Maintained type: 200,000 Cycles of operation					
Install	Tightening torque : Max. 6Kg/F.Cm					
Standards	This product comply with " Standards for low- voltage switching devices" EN IEC 60947- 5- 1					
Contact Ratings	250VAC 3A (resistive load)					
Insulation Resistance	Minimum 100MΩ (500VDC)					
Contact Resistance	Maximum 30mΩ					
Electrical Lifetime	100,000 cycles of operation					
Dielectric Strength	Between Live Parts: 1,000VAC(50/60Hz) for 1 minute Between Live and Dead Parts: 1,000VAC(50/60Hz) for 1 minute					
Operational Temperature	- 15°C □+55°C					
Operational Humidity	45 □85%RH					
Protection Degree	IP40					
Shock Resistance	Approximately 10G(1,000m/s ²)					
Vibration Resistance	10 □55Hz double amplitude 1.5mm (at X, Y and Z axis)					
Approbations	UL, CCC, KC					
Declaration of Conformity	CE					

EMERGENCY STOP SWITCH **KEBL16ER**

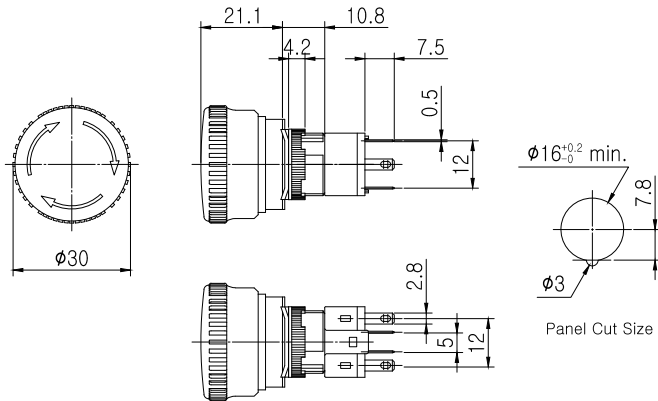


CLASSIFICATION

KEBL16ER - L 1C R 1B

① ② ③ ④

① LAMP	NONE	FILAMENT LAMP
		L
② INPUT VOLTAGE	1C	6V
	2C	12V
	3C	24V
③ COLOR	R	RED
	G	GREEN
	Y	YELLOW
④ CONTACTS	1A	1A
	1B	1B
	2A	2A
	2B	2B
	1A1B	1A1B

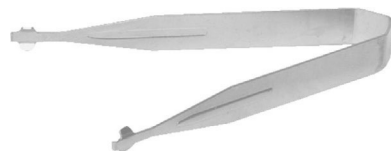


ACCESSORIES

Safety Cover



Separate Tool



Specification

Switching System	The switching element of KEPB16 is equipped with normally open contact and normally closed contact. 1A, 1B, 2A, 2B, and 1A1B contact available.					
Material	Contact	Silver alloy + Copper	Housing	BODY: Nylon glass CONTACT HOUSING: PBT	Buttons	PC
Mechanical Lifetime	1,000,000 Cycles of operation					
Install	Tightening torque : Max. 6Kg/F.Cm					
Standards	This product comply with " Standards for low- voltage switching devices" EN IEC 60947- 5- 1					
Contact Ratings	250VAC 3A (resistive load)					
Insulation Resistance	Minimum 100MΩ (500VDC)					
Contact Resistance	Maximum 30mΩ					
Electrical Lifetime	100,000 cycles of operation					
Dielectric Strength	Between Live Parts: 1,000VAC(50/60Hz) for 1 minute Between Live and Dead Parts: 1,000VAC(50/60Hz) for 1 minute					
Operational Temperature	- 15° C □ +50° C					
Operational Humidity	45 □85%RH					
Protection Degree	IP40					
Shock Resistance	Approximately 10G(1,000m/s ²)					
Vibration Resistance	10 □5Hz double amplitude 1.5mm (at X, Y and Z axis)					
Approbations	UL, CCC, KC					
Declaration of Conformity	CE					

ACCESSORIES

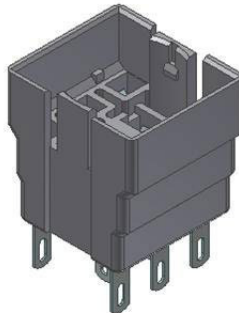
Terminal Socket

Terminal Socket For KPL16



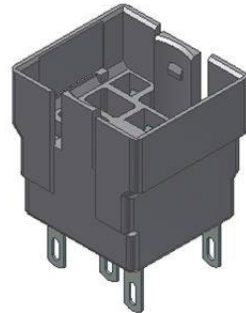
KPL16
NF22-L

Terminal Socket for KPB16



KPB16
KBL16
NF22-P
NF22-B
NF22-S
NF22-K

Terminal Socket for KEPB16



KEPB16
KEBL16