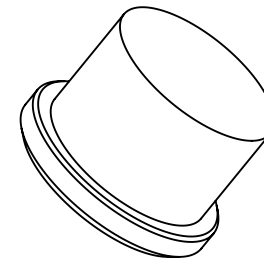
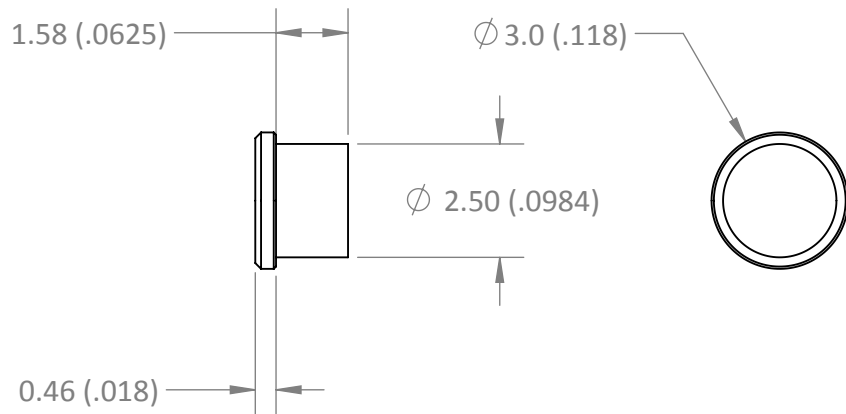
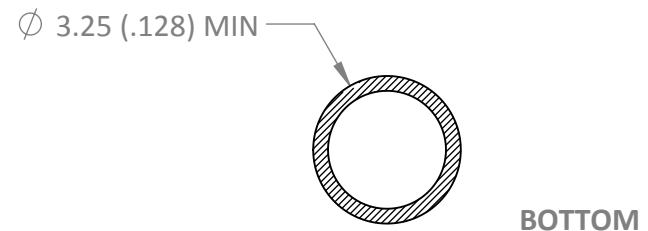
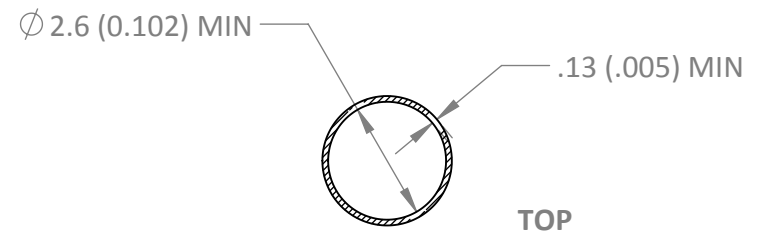


DIMENSIONS: mm (inches)  
 MATERIAL: COPPER  
 PLATING: ENIG



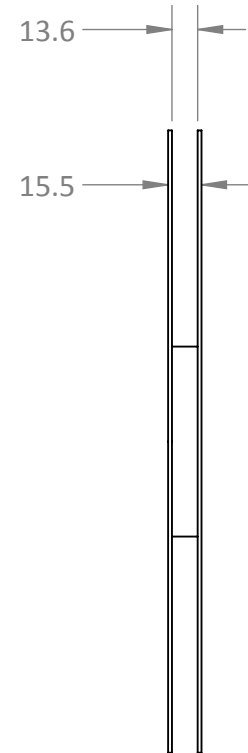
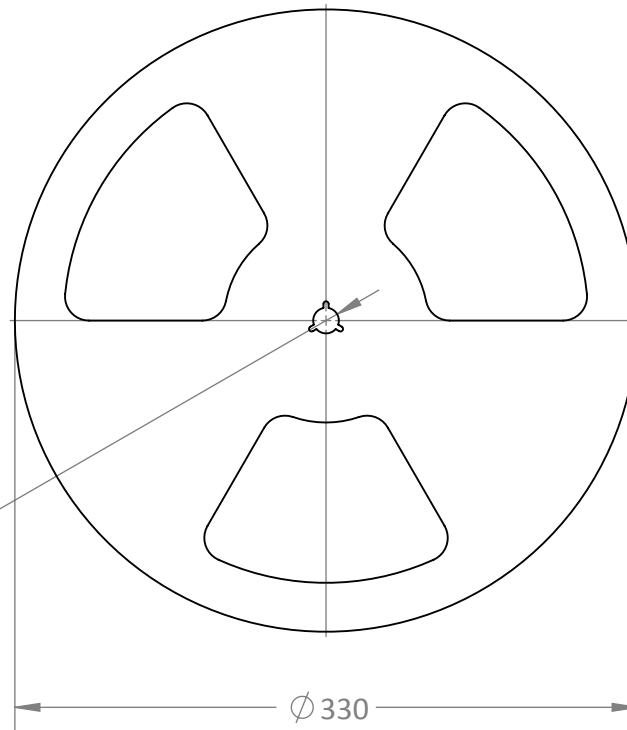
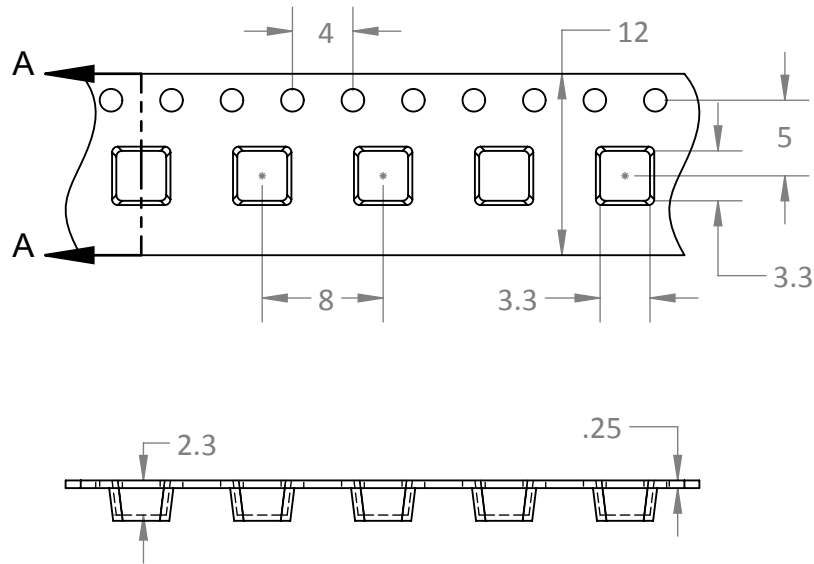
SCALE 10:1

RECOMMENDED PCB LAND PATTERN



<b>AppliedSBC</b> SYSTEMS	
TITLE: PCB THERMAL INSERT	
PART NO. <b>TV158S250</b>	REV. <b>A</b>

12 MM TAPE AND REEL DIMENSIONS  
 STD REEL QTY: 2000



<b>AppliedSBC</b> SYSTEMS	
TITLE: PCB THERMAL INSERT	
PART NO. <b>TV158S250</b>	REV. <b>A</b>