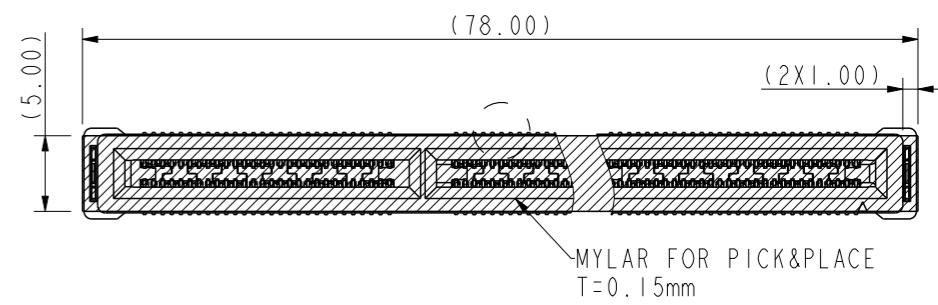
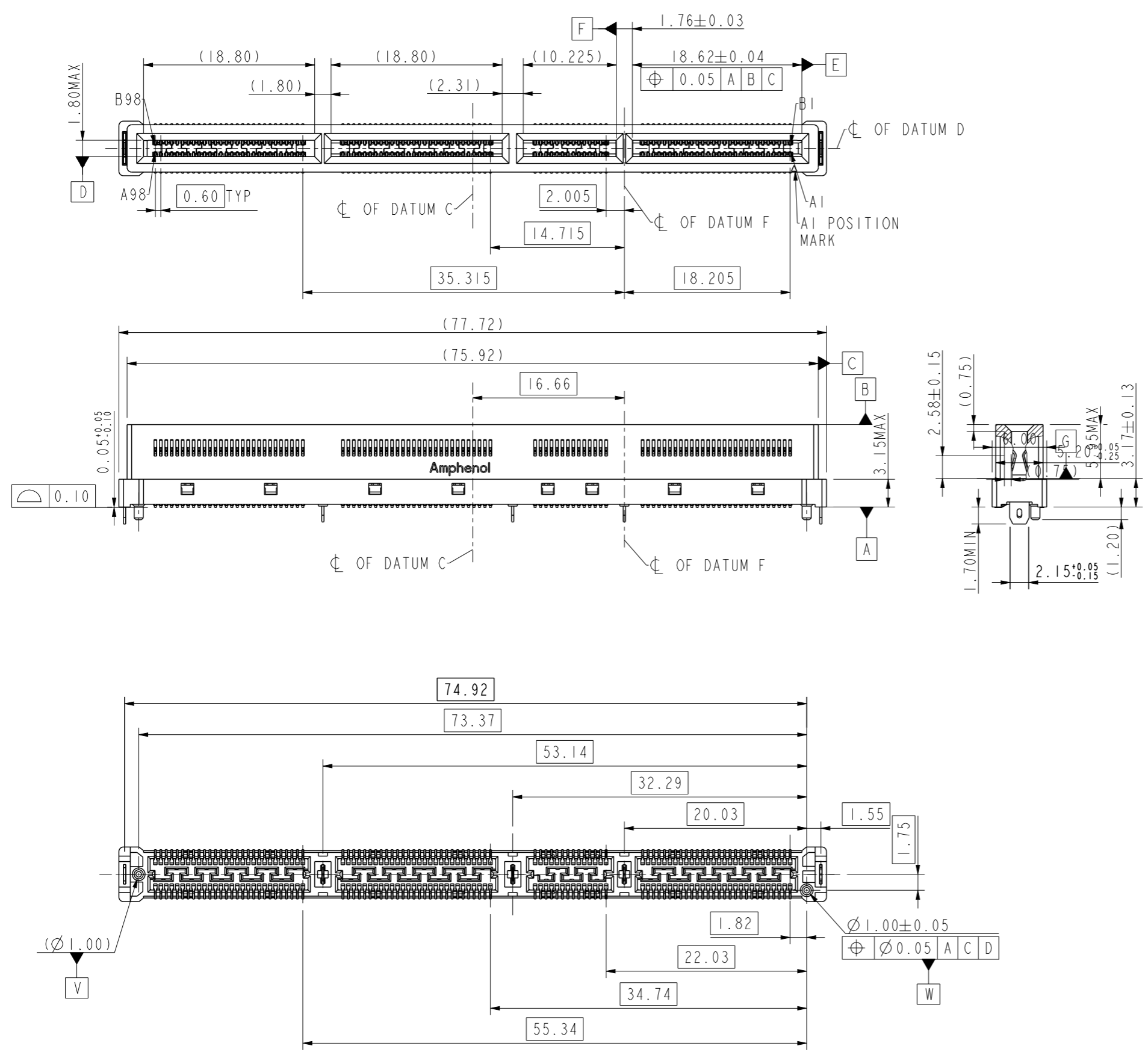


Amphenol SS10

© 2021 Amphenol Corporation

revision history				
rev	ecn no	description	dr	date
3	CDXXXX	FOLLOW TE SPEC BY CUSTOMER'S REQUEST	RH	2020/10/13
4	CDXXXX	ADD MYLAY DIMENSIONS	RH	2021/03/15
A	CD2440	OFFICIAL RELEASE	RH	2021/05/12



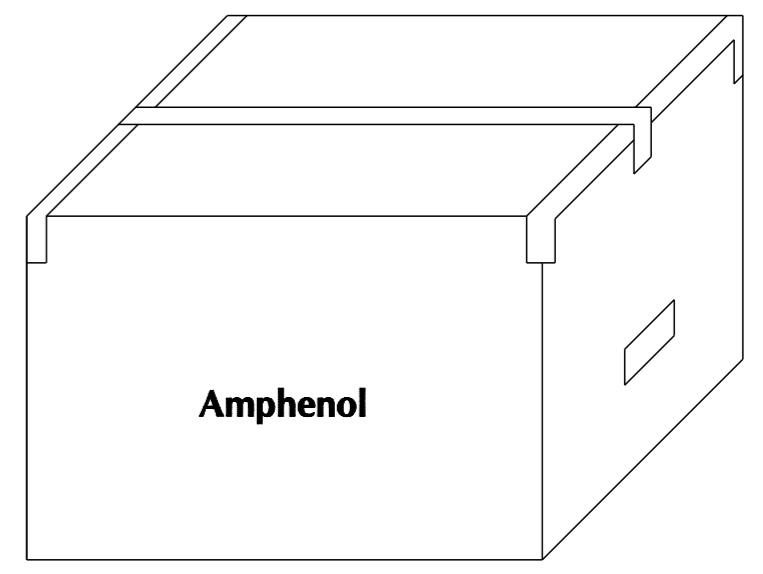
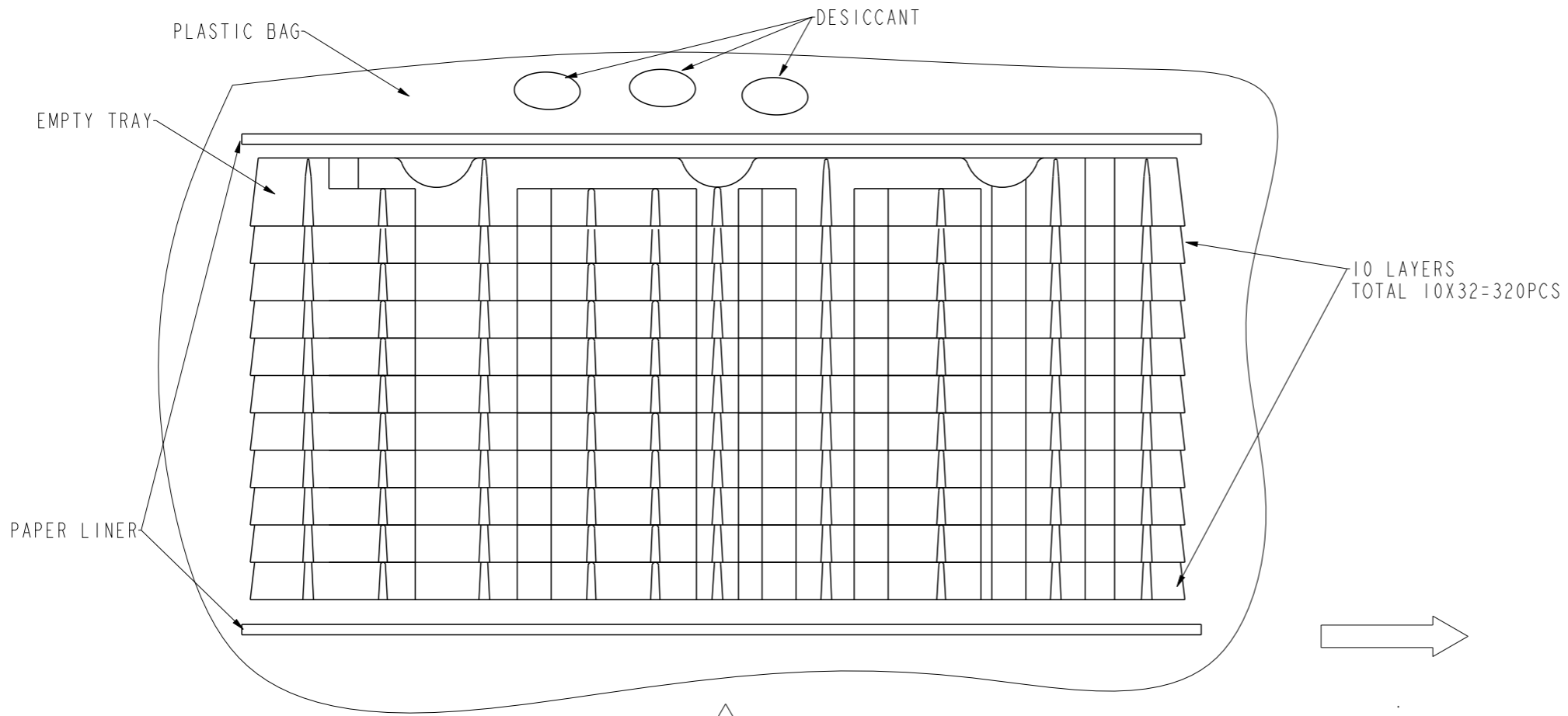
- NOTE:
- MATERIAL:**  
HOUSING: HIGH TEMPERATURE THERMOPLASTIC BLACK UL94-V0.  
CONTACT: COPPER ALLOY  
BOARD LOCK: COPPER ALLOY
  - PLATING:**  
CONTACT: MATING AREA: SEE PART NUMBER TABLE LIST  
OVER 1.27um MIN NICKEL UNDERPLATED  
SOLDER AREA: 1.27um MIN TIN OVER 1.27um MIN NICKEL UNDERPLATED  
BOARD LOCK: 1.27um MIN TIN OVER 1.27um MIN NICKEL UNDERPLATED
  - ELECTRICAL PERFORMANCE:**  
RATED CURRENT: 1.1A/PIN UP TO 12PINS  
LLCR: DELTA 15mΩ MAX  
INSULATION RESISTANCE: 1000MΩ MIN.
  - MECHANICAL PERFORMANCE:**  
MATING FORCE: 107.8N MAX.  
UNMATING FORCE: 9.8N MIN  
DURABILITY: 200CYCLES
  - CONNECTOR IS ROHS COMPLIANT
  - ORDERING PN SEE BELOW PART NUMBER TABLE LIST.

ME1019610101015	GXT 0.38um
ME1019610101014	GXT 0.76um
ME1019610101013	GOLD FLASH
ME1019610101012	0.38um Au
ME1019610101011	0.76um Au
PART NUMBER	PLATING SPEC
PART NUMBER LIST TABLE	

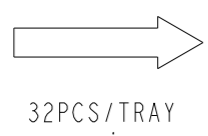
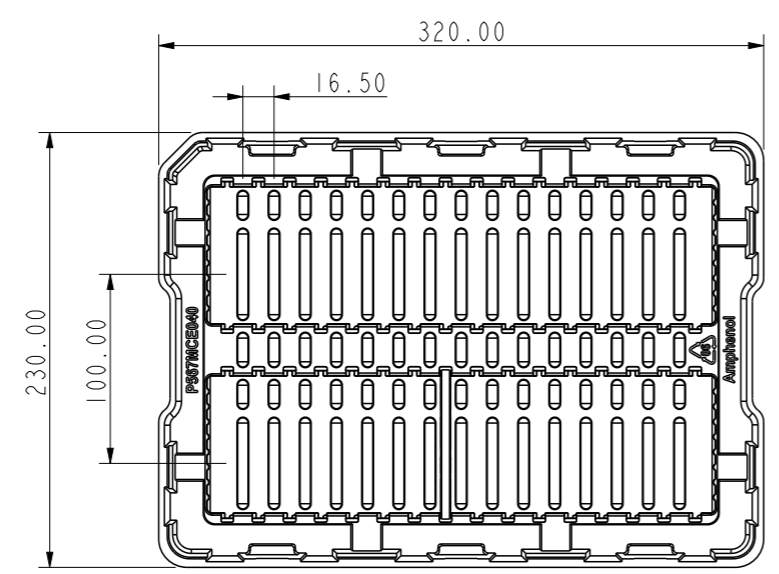
spec ref	S-ME-004	dr	Rocky Huang	2022/12/20	<h1>Amphenol SS10</h1>	mm	scale	2:1	size	A3	
tolerance std	TOLERANCES UNLESS OTHERWISE SPECIFIED	eng	Rocky Huang	2022/12/20		ecn no	-	rel level	Released		
surface	linear 0.X ± 0.25 0.XX ± 0.20 0.XXX ± 0.15 angular 0° ± 5°	projection	LY Yi	2022/12/20		amphenol-icc.com					
		title MINI COOL EDGE CONNECTOR V/T, 196PIN, 0.60mm PICTH, SMT product family									
					cat. no.	C ME101961010101X	rev	A	sheet 1 of 3		



**Amphenol  
SS10**



320PCS/CARTON  
CARTON SIZE; 335X245X225



© 2021 Amphenol Corporation

spec ref	S-ME-004		dr	Rocky Huang	2022/12/20	<b>Amphenol SS10</b>	mm	scale 2:1	size A3	
tolerance std	TOLERANCES UNLESS OTHERWISE SPECIFIED		eng	Rocky Huang	2022/12/20					
surface	linear	0.X	± 0.25	r vwr	Johnny Wang					2022/12/20
		0.XX	± 0.20	appr	LY Yi					2022/12/20
		0.XXX	± 0.15	projection		amphenol-icc.com		ecn no	Released	
	angular	0°	± 5°	title		MINI COOL EDGE CONNECTOR		rel level		
				product family		V/T, 196PIN, 0.60mm PICTH, SMT		cat. no.	C ME10196101010IX	
								rev	A	
								sheet 3 of 3		