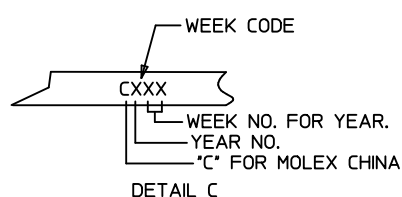
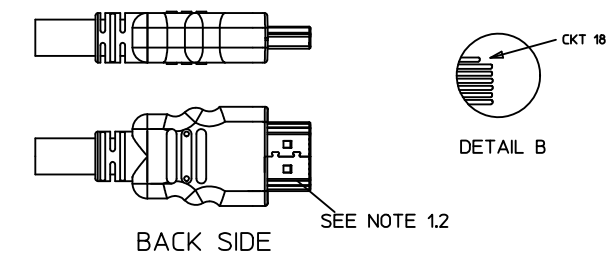
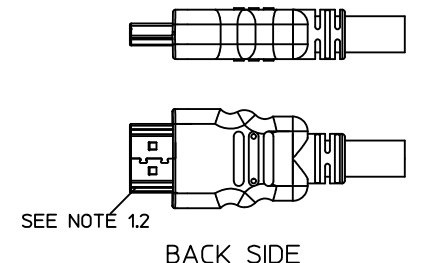
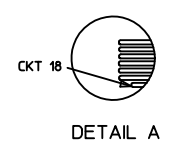
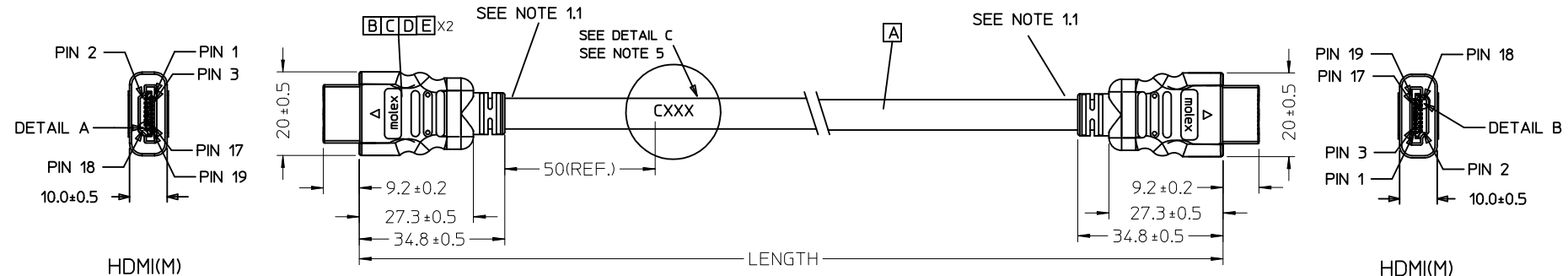


7 6 5 4 3 2 1



|               |                             |               |                    |                      |                  |
|---------------|-----------------------------|---------------|--------------------|----------------------|------------------|
| 887689830     | HDMI TO HDMI CABLE ASS'Y,5M | 5000 ± 100    | BLACK              | 7.3MM(TMDS - AWG#28) | 172005984        |
| 887689820     | HDMI TO HDMI CABLE ASS'Y,3M | 3000 ± 80     | BLACK              | 7.3MM(TMDS - AWG#28) | 172005984        |
| 887689810     | HDMI TO HDMI CABLE ASS'Y,2M | 2000 ± 60     | BLACK              | 7.3MM(TMDS - AWG#28) | 172005984        |
| 887689800     | HDMI TO HDMI CABLE ASS'Y,1M | 1000 ± 30     | BLACK              | 7.3MM(TMDS - AWG#28) | 172005984        |
| <b>MX P/N</b> | <b>DESCRIPTION</b>          | <b>LENGTH</b> | <b>CABLE COLOR</b> | <b>CABLE OD</b>      | <b>CABLE P/N</b> |

|   |  |                    |                               |                                       |   |                            |                       |                    |   |                        |  |
|---|--|--------------------|-------------------------------|---------------------------------------|---|----------------------------|-----------------------|--------------------|---|------------------------|--|
| <b>ENTER DESCRIPTION</b><br>EC NO: DG2011-0439<br>DRWN:FZHANG01<br>CHKD:JLUI13<br>APPR:ZXDENG | 2011/05/04<br>2011/05/04<br>2011/05/11 | DESCRIPTION<br>REV | QUALITY SYMBOLS<br>▽=0<br>◻=0 | GENERAL TOLERANCES (UNLESS SPECIFIED) |   | DIMENSION STYLE<br>MM ONLY |                       | SCALE<br>---       | DESIGN UNITS<br>METRIC                              | THIRD ANGLE PROJECTION |  |
|   |  |                    |                               |                                       | mm  | INCH                       | DRAWN BY<br>FZHANG01  | DATE<br>2011/05/04 | TITLE<br>HDMI(M) TO HDMI(M)<br>CABLE ASS'Y          |                        |  |
|   |  |                    |                               | 4 PLACES                              | ± ---   | ± ---                      | CHECKED BY<br>LPNING  | DATE<br>2011/05/04 |   |                        |  |
|   |  |                    |                               | 3 PLACES                              | ± ---   | ± ---                      | APPROVED BY<br>ZXDENG | DATE<br>2011/05/11 | MOLEX INCORPORATED<br>DOCUMENT NO.<br>SD-88768-9830 |                        |  |
| 2 PLACES  | ± ---                                  | ± ---              | MATERIAL NO.<br>SEE TABLE     |                                       | SHEET NO.<br>1 OF 2   |                            |                       |                    |   |                        |  |
| 1 PLACE   | ± ---                                  | ± ---              | ANGULAR ± ---°                |                                       | THIS DRAWING CONTAINS INFORMATION THAT IS PROPRIETARY TO MOLEX INCORPORATED AND SHOULD NOT BE USED WITHOUT WRITTEN PERMISSION |                            |                       |                    |   |                        |  |
| DRAFT WHERE APPLICABLE<br>MUST REMAIN<br>WITHIN DIMENSIONS                                    |  |                    |                               |                                       |   |                            |                       |                    |   |                        |  |

6 5 4 3 2 1

7

6

5

4

3

2

1

**NOTE:****1. OVERMOLD SPECIFICATION:****1.1 HDMI OUTER MOLDED WITH PVC RESIN****HDMI INNER MOLDED WITH PVC RESIN****1.2 DUST COVER MOLDED WITH PE****2. PRODUCT ELECTRICAL SPECIFICATION REFER TO HDMI SPEC.****3. THE CODE PLEASE BE PRINTED ON THE SPACE****4. THIS PRODUCT MUST MEET EU CHEMICAL SUBSTANCE****SPECIFICATION FOR PRODUCTS. (EU 2002/95/EC)**

## WIRE DIAGRAM:

| SHIELD | SHIELD | OVERALL SHIELD | GROUND             |
|--------|--------|----------------|--------------------|
| PIN 19 | PIN 19 | PINK           | HOT PLUG DETECT    |
| PIN 18 | PIN 18 | ORANGE         | +5V POWER          |
| PIN 17 | PIN 17 | YELLOW         | DDC/CEC GROUND     |
| PIN 16 | PIN 16 | WHITE          | SDA                |
| PIN 15 | PIN 15 | RED            | SCL                |
| PIN 14 | PIN 14 | VIOLET         | RESERVED           |
| PIN 13 | PIN 13 | GRAY           | CEC                |
| PIN 12 | PIN 12 | WHITE          | TMDS CLOCK-        |
| PIN 11 | PIN 11 | BRAID          | TMDS CLOCK SHIELD  |
| PIN 10 | PIN 10 | BLACK          | TMDS CLOCK+        |
| PIN 9  | PIN 9  | WHITE          | TMDS DATA 0-       |
| PIN 8  | PIN 8  | BRAID          | TMDS DATA 0 SHIELD |
| PIN 7  | PIN 7  | BLUE           | TMDS DATA 0+       |
| PIN 6  | PIN 6  | WHITE          | TMDS DATA 1-       |
| PIN 5  | PIN 5  | BRAID          | TMDS DATA 1 SHIELD |
| PIN 4  | PIN 4  | GREEN          | TMDS DATA 1+       |
| PIN 3  | PIN 3  | WHITE          | TMDS DATA 2-       |
| PIN 2  | PIN 2  | BRAID          | TMDS DATA 2 SHIELD |
| PIN 1  | PIN 1  | RED            | TMDS DATA 2+       |
| HDMI   | HDMI   | COLOR          | CABLE FUNCTION     |

|      |   |   |      |
|------|---|---|------|
| E    | PRE-CUT C.Foil 47X23mm T=25U 172003402                |   | 2    |
| D    | COPPER FOIL 172000915                                 |   | 2    |
| C    | HDMI 19P MALE,30U"Au Solder Type 172004051            |   | 2    |
| B    | Metal Shell For HDMI 19P Male 172004052               |   | 2    |
| A    | (4P+1P)X28+5CX28,ALSH,PVC,BK;7.3.JUL20276 (SEE TABLE) |   | 1    |
| ITEM | DESCRIPTION   | L | QTY. |

|  |                               |  |      |                            |                       |   |  |                               |                     |
|--|-------------------------------|--|------|----------------------------|-----------------------|---|--|-------------------------------|---------------------|
| ENTER DESCRIPTION<br>EC NO: DG2011-0439<br>DRWN:FZHANG01 2011/05/04<br>CHKD:JLILU13 2011/05/04<br>APPR:ZXDENG 2011/05/11 | QUALITY SYMBOLS<br>▽=0<br>▽=0 | GENERAL TOLERANCES (UNLESS SPECIFIED)                      |      | DIMENSION STYLE<br>MM ONLY |                       | SCALE<br>---  | DESIGN UNITS<br>METRIC                     | THIRD ANGLE PROJECTION        |                     |
|  |                               |  | mm   | INCH                       | DRAWN BY<br>FZHANG01  | DATE<br>2011/05/04  | TITLE<br>HDMI(M) TO HDMI(M)<br>CABLE ASS'Y |                               |                     |
|  |                               | 4 PLACES   | ±--- | ±---                       | CHECKED BY<br>LPNING  | DATE<br>2011/05/04  | MOLEX INCORPORATED                         |                               |                     |
|  |                               | 3 PLACES   | ±--- | ±---                       | APPROVED BY<br>ZXDENG | DATE<br>2011/05/11  | MATERIAL NO.<br>SEE TABLE                  | DOCUMENT NO.<br>SD-88768-9830 | SHEET NO.<br>2 OF 2 |
| G  | REV                           | DRAFT WHERE APPLICABLE<br>MUST REMAIN<br>WITHIN DIMENSIONS |      | SIZE<br>A4                 |                       | THIS DRAWING CONTAINS INFORMATION THAT IS PROPRIETARY TO MOLEX INCORPORATED AND SHOULD NOT BE USED WITHOUT WRITTEN PERMISSION |  |                               |                     |

6

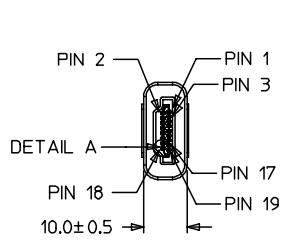
5

4

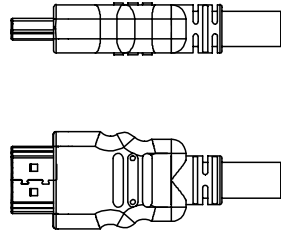
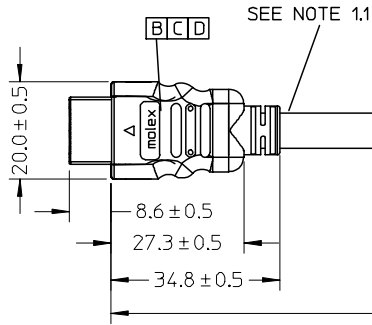
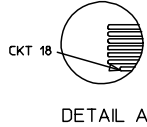
3

2

1

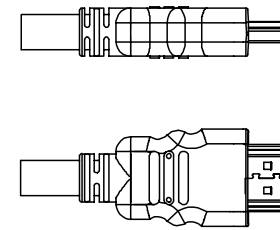
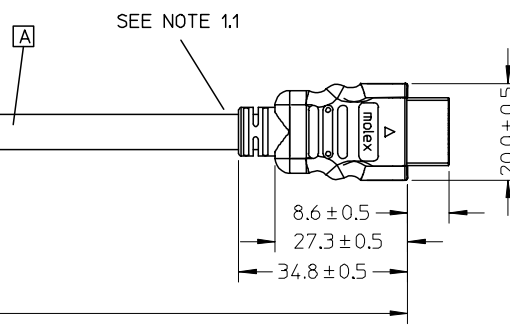


HDMI(M)

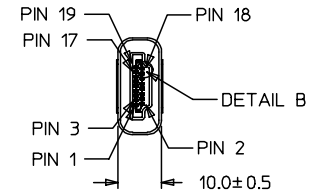


BACK SIDE

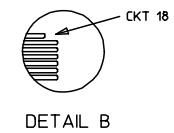
LENGTH



BACK SIDE



HDMI(M)



| 88768-9830 | HDMI TO HDMI CABLE ASS'Y,5M | 5000 ± 100 | BLACK       | 7.3MM(TMDS - AWG#28) | 887808610 |
|------------|-----------------------------|------------|-------------|----------------------|-----------|
| 88768-9820 | HDMI TO HDMI CABLE ASS'Y,3M | 3000 ± 80  | BLACK       | 7.3MM(TMDS - AWG#28) | 887808610 |
| 88768-9810 | HDMI TO HDMI CABLE ASS'Y,2M | 2000 ± 60  | BLACK       | 7.3MM(TMDS - AWG#28) | 887808610 |
| 88768-9800 | HDMI TO HDMI CABLE ASS'Y,1M | 1000 ± 30  | BLACK       | 7.3MM(TMDS - AWG#28) | 887808610 |
| MX P/N     | DESCRIPTION                 | LENGTH     | CABLE COLOR | CABLE OD             | CABLE P/N |

| ENTER DESCRIPTION<br>EC NO: DG2006-0144<br>DRAWN: JFZHENG<br>CHKD:<br>APPR: DQLUO | 2005/12/27<br>2005/12/30<br>2006/01/16 |
|---|--|
| REV   | DESCRIPTION                            |

| QUALITY SYMBOLS |
|-----------------|
| ▽=0             |
| ∇=0             |

| GENERAL TOLERANCES (UNLESS SPECIFIED)                |             |
|--|-------------|
|  | mm INCH     |
| 4 PLACES   | ± --- ± --- |
| 3 PLACES   | ± --- ± --- |
| 2 PLACES   | ± --- ± --- |
| 1 PLACE  | ± --- ± --- |
| ANGULAR ± --- °                                      |             |
| DRAFT WHERE APPLICABLE MUST REMAIN WITHIN DIMENSIONS |             |

| DIMENSION STYLE |              |
|-----------------|--------------|
| MM ONLY         |              |
| DRAWN BY        | DATE         |
| JFZHENG         | 2005/12/26   |
| CHECKED BY      | DATE         |
| JFZHENG         | 2005/12/26   |
| APPROVED BY     | DATE         |
| DQLUO           | 2005/12/26   |
| MATERIAL NO.    | DOCUMENT NO. |
| ENTER PART      | SD-887689830 |
| SIZE            |              |
| A 4             |              |

|                                |              |                        |
|--------------------------------|--------------|------------------------|
| SCALE                          | DESIGN UNITS | THIRD ANGLE PROJECTION |
| ---                            | METRIC       | ∅ □                    |
| TITLE                          |              |                        |
| AWG28 HDMI TO HDMI CABLE ASS'Y |              |                        |
| MOLEX MOLEX INCORPORATED       |              |                        |
| SHEET NO.                      |              | 1 OF 00                |