



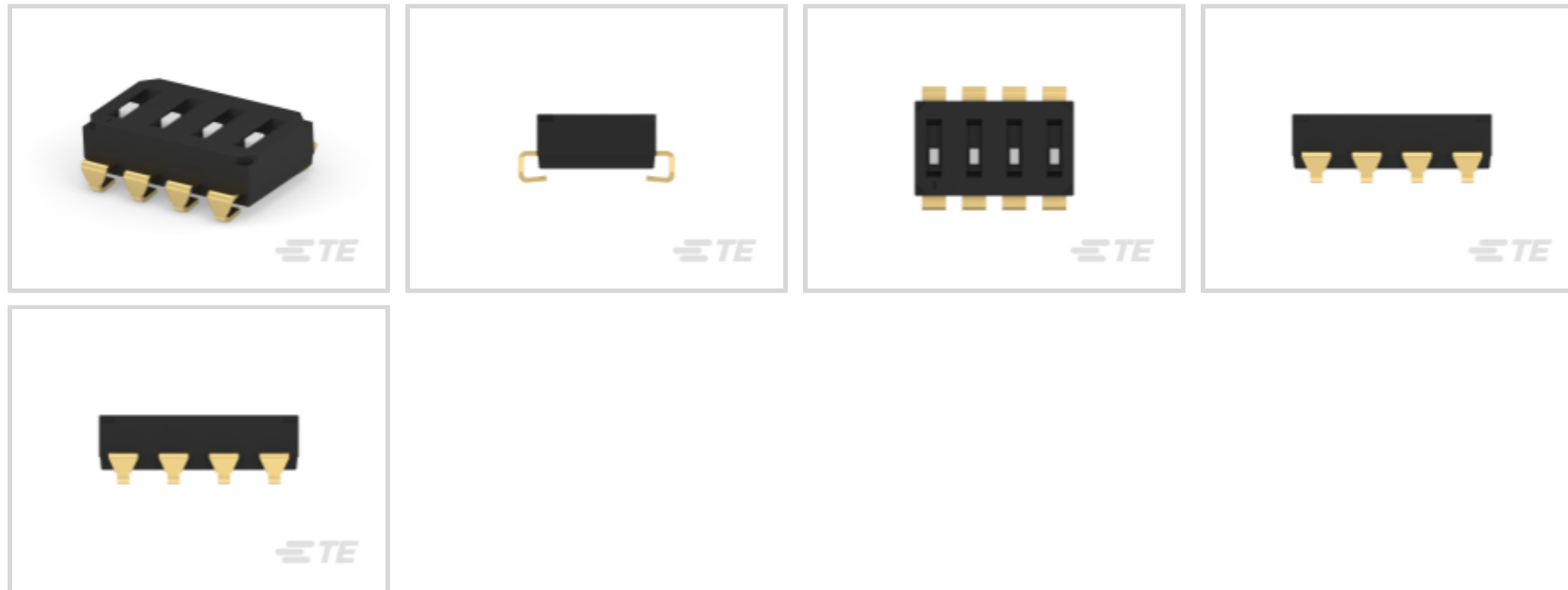
Alcoswitch | Alcoswitch DIP EDS

TE Internal #: 1-2319848-4

DIP & SIP Switches, Gold Flash, Black, High Temperature Nylon, 4 Switch, -20 - 85 °C, DIP, Slide Actuator Style, Alcoswitch DIP EDS

[View on TE.com >](#)

Switches > DIP & SIP Switches



Switch Contact Plating Material: **Gold Flash**

Case Color: **Black**

Case Material: **High Temperature Nylon**

Sealed Device: **No**

Number of Switches: **4**

Features

Product Type Features

Sealed Device	No
DIP & SIP Switch Type	DIP
Actuator Style	Slide

Configuration Features

Number of Positions	4
Number of Switches	4
Configuration (Pole-Throw)	Single Pole - Single Throw

Electrical Characteristics

Contact Current Rating	.025 A
Operating Voltage	24 VDC

Body Features

Actuator Color	White
Product Orientation	Vertical
Case Color	Black



Case Material	High Temperature Nylon
---------------	------------------------

Contact Features

Contact Underplating Material	Nickel
PCB Contact Termination Area Plating Material	Gold Flash
Switch Contact Plating Material	Gold Flash
Contact Base Material	Copper Alloy

Termination Features

Termination Method to Printed Circuit Board	Surface Mount
---	---------------

Housing Features

Centerline (Pitch)	2.54 mm[.1 in]
--------------------	----------------

Dimensions

Product Length	10.06 mm[.396 in]
Product Height	3.45 mm[.136 in]

Usage Conditions

Operating Temperature Range	-20 - 85 °C
-----------------------------	-------------

Packaging Features

Packaging Quantity	47
Packaging Method	Tube

Product Compliance

[For compliance documentation, visit the product page on TE.com>](#)

EU RoHS Directive 2011/65/EU	Compliant
EU ELV Directive 2000/53/EC	Not Yet Reviewed
China RoHS 2 Directive MIIT Order No 32, 2016	No Restricted Materials Above Threshold
EU REACH Regulation (EC) No. 1907/2006	Current ECHA Candidate List: JAN 2024 (240) Candidate List Declared Against: JAN 2022 (223) Does not contain REACH SVHC
Halogen Content	Not Yet Reviewed for halogen content
Solder Process Capability	Not reviewed for solder process capability

Product Compliance Disclaimer

This information is provided based on reasonable inquiry of our suppliers and represents our current actual knowledge based on the information they provided. This information is subject to change. The part numbers that TE has identified as

EU RoHS compliant have a maximum concentration of 0.1% by weight in homogenous materials for lead, hexavalent chromium, mercury, PBB, PBDE, DBP, BBP, DEHP, DIBP, and 0.01% for cadmium, or qualify for an exemption to these limits as defined in the Annexes of Directive 2011/65/EU (RoHS2). Finished electrical and electronic equipment products will be CE marked as required by Directive 2011/65/EU. Components may not be CE marked. Additionally, the part numbers that TE has identified as EU ELV compliant have a maximum concentration of 0.1% by weight in homogenous materials for lead, hexavalent chromium, and mercury, and 0.01% for cadmium, or qualify for an exemption to these limits as defined in the Annexes of Directive 2000/53/EC (ELV). Regarding the REACH Regulation, the information TE provides on SVHC in articles for this part number is based on the latest European Chemicals Agency (ECHA) 'Guidance on requirements for substances in articles' posted at this URL: <https://echa.europa.eu/guidance-documents/guidance-on-reach>

Compatible Parts



Also in the Series | Alcoswitch DIP EDS



Customers Also Bought



TE Part # 805-0050-01
805-0050-01 TO-5 Accelerometer



TE Part # 1-353293-9
MINI CT MT REC ASSY 19P GRAY



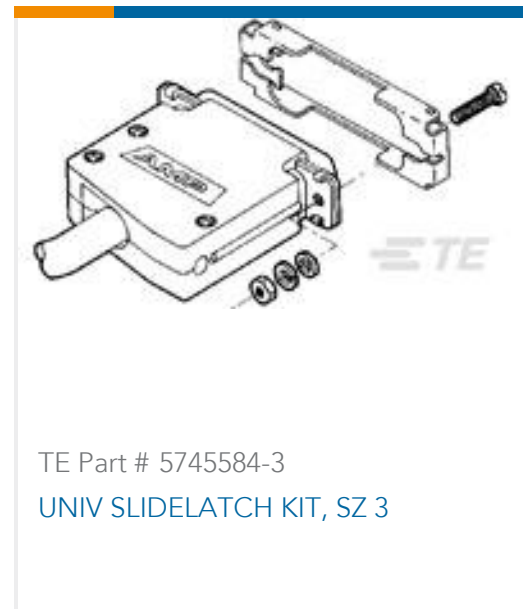
TE Part # 160917-2
FF 250 REC 1-2.5MM2 TPBR



TE Part # 2267087-4
RMD1R102M6QES



TE Part # 5-535541-8
10 MODIV VRT SR CE 100/115



TE Part # 5745584-3
UNIV SLIDELATCH KIT, SZ 3



TE Part # 4-2176349-9
CRGCO 2512 100K 1%



TE Part # 3-1393303-7
V23134B1053C642-EV-CBOX



TE Part # 176277-1
UNIV POWER PLUG HSG 10P F/H

Documents

Product Drawings

[END STACK DIP 4P J RECESS TUBE](#)

English

CAD Files

[3D PDF](#)

3D

Customer View Model

[ENG_CVM_CVM_1-2319848-4_A.2d_dxf.zip](#)

English

Customer View Model

[ENG_CVM_CVM_1-2319848-4_A.3d_igs.zip](#)

English

Customer View Model

[ENG_CVM_CVM_1-2319848-4_A.3d_stp.zip](#)

English

By downloading the CAD file I accept and agree to the [Terms and Conditions](#) of use.

Datasheets & Catalog Pages



[SWITCHES_CORE_PROGRAM_CATALOG](#)

English