

NS 35/15 BLK PERF 2000MM-VPE 10 - DIN rail perforated



1208018

<https://www.phoenixcontact.com/us/products/1208018>

Please be informed that the data shown in this PDF document is generated from our online catalog. Please find the complete data in the user documentation. Our general terms of use for downloads are valid.



DIN rail perforated, Pack of 10 (20 m), similar to EN 60715, material: Steel, uncoated, Standard profile, color: white aluminum

Commercial data

Item number	1208018
Packing unit	10 m
Minimum order quantity	10 m
Sales key	BE72
Product key	BE7241
GTIN	4017918155582
Weight per piece (including packing)	1,552 g
Weight per piece (excluding packing)	1,552 g
Customs tariff number	72166190
Country of origin	DE

NS 35/15 BLK PERF 2000MM-VPE 10 - DIN rail perforated



1208018

<https://www.phoenixcontact.com/us/products/1208018>

Technical data

Product properties

Product type	DIN rail
--------------	----------

Dimensions

Dimensional drawing	
Width	35 mm
Hole width	15 mm
Height	2000 mm
Hole height	6.2 mm
Depth	15 mm
Length	2000 mm
Drill hole spacing	25 mm

Material specifications

Color	white aluminum
Material	Steel
Coating	uncoated

Standards and regulations

Connection in acc. with standard	IEC / EN
Tests	similar to EN 60715

NS 35/15 BLK PERF 2000MM-VPE 10 - DIN rail perforated

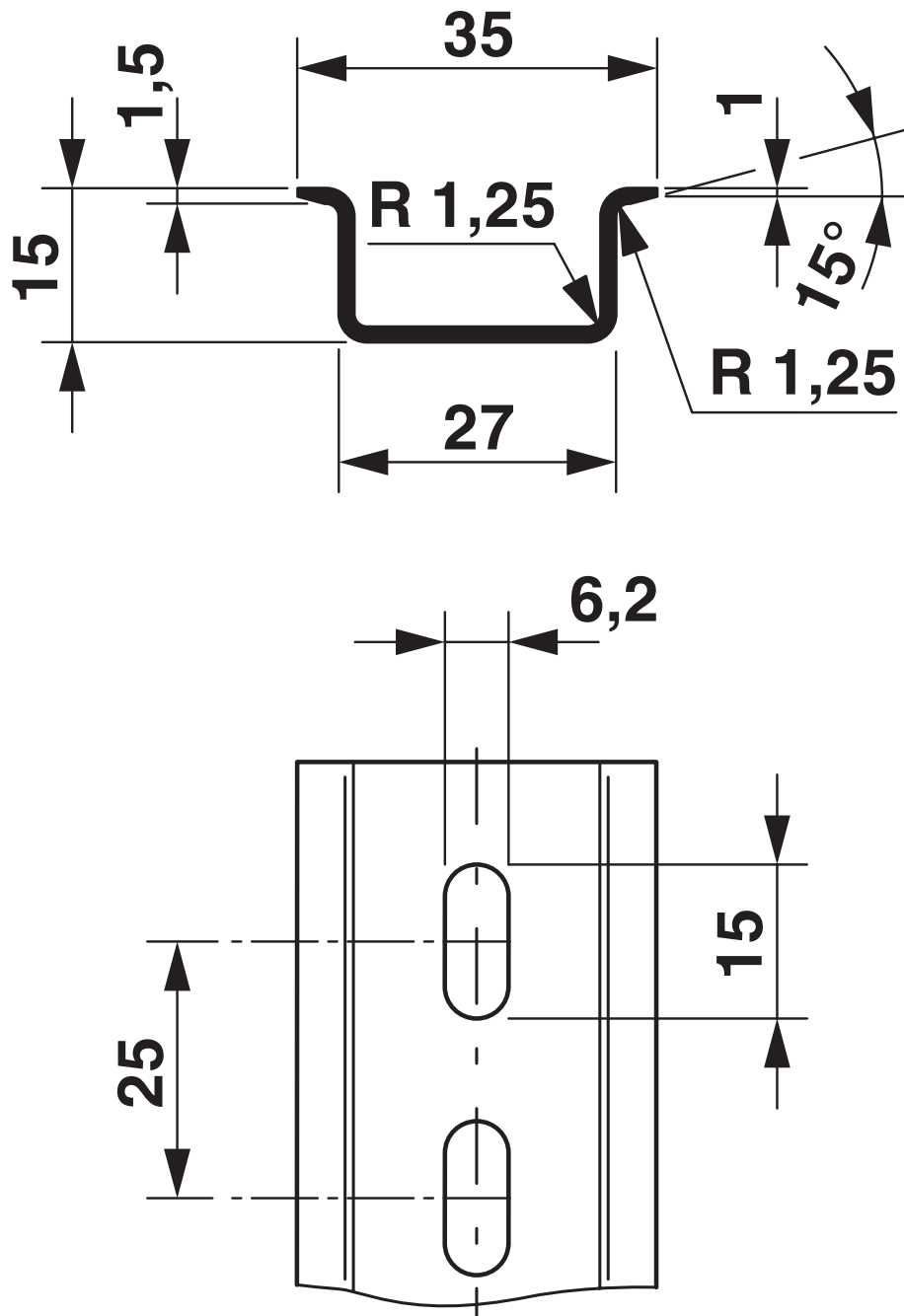


1208018

<https://www.phoenixcontact.com/us/products/1208018>

Drawings

Dimensional drawing



NS 35/15 BLK PERF 2000MM-VPE 10 - DIN rail perforated



1208018

<https://www.phoenixcontact.com/us/products/1208018>

Classifications

ECLASS

ECLASS-11.0	27400602
ECLASS-13.0	27400602
ECLASS-12.0	27400602

ETIM

ETIM 9.0	EC001285
----------	----------

UNSPSC

UNSPSC 21.0	39121700
-------------	----------

NS 35/15 BLK PERF 2000MM-VPE 10 - DIN rail perforated



1208018

<https://www.phoenixcontact.com/us/products/1208018>

Environmental product compliance

EU RoHS

Fulfills EU RoHS substance requirements	Yes, No exemptions
---	--------------------

China RoHS

Environment friendly use period (EFUP)	EFUP-E
	No hazardous substances above the limits

EU REACH SVHC

REACH candidate substance (CAS No.)	No substance above 0.1 wt%
-------------------------------------	----------------------------

Phoenix Contact 2024 © - all rights reserved
<https://www.phoenixcontact.com>

Phoenix Contact USA
586 Fulling Mill Road
Middletown, PA 17057, United States
(+717) 944-1300
info@phoenixcon.com