

6

5

4

3

2

1

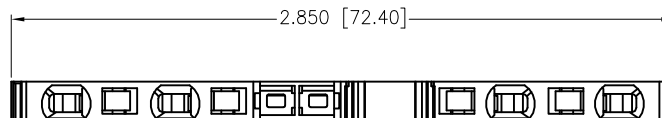
APPROVED: \_\_\_\_\_

DATE: \_\_\_\_\_ TITLE: \_\_\_\_\_

Rev	AWO #	Description	Date	Appr
-		RELEASED	10/7/22	
A		UPDATE SPEC.	9/8/23	LH/RC

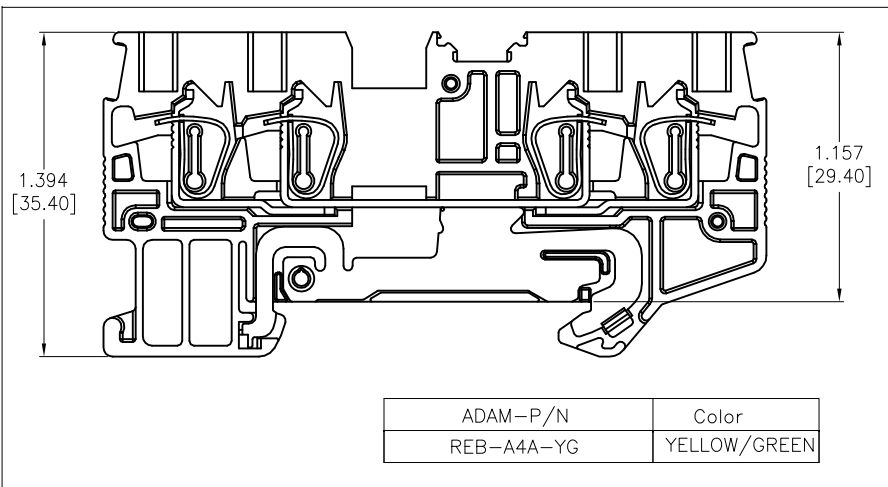
D

D

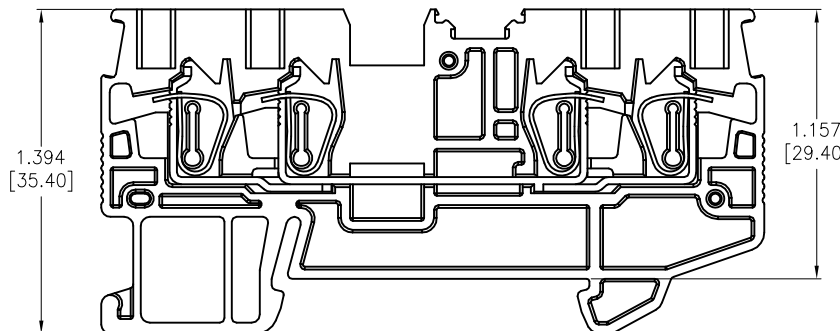


C

C



ADAM-P/N	Color
REB-A4A-YG	YELLOW/GREEN



B

B

**SPECIFICATIONS:**

**Material:**

Insulator: PA66, rated UL 94V-0

Insulator color: See chart

Contacts: Copper Alloy, Tin Plated

**Electrical:**

Voltage rating: 300V

Current rating: 15A

Dielectric withstanding voltage: 1,600 VAC for 1 minute

**Mechanical:**

**Recommended Wire Size:**

Solid: 24-16AWG (0.2-1.3mm<sup>2</sup>)

Stranded: 24-16AWG (0.2-1.3mm<sup>2</sup>)

Stripping Length: .315"-.394" (8-10mm)

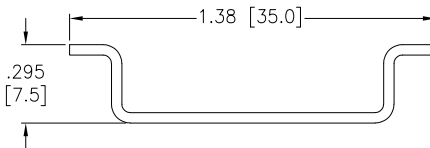
**Temperature Rating:**

Operating temperature: -40°C to +105°C

**Environmental:**

Lead free, RoHS compliant.

**RECOMMENDED RAIL SIZE**  
35.0mm X 7.5mm



REB-A 4 A -XX	Color
Solid/Stranded:	OR=Orange
24-16 Awg (0.2-1.3mm <sup>2</sup> )	BU=Blue
	GY=Gray
	YG=Yellow/Green

ADAM-P/N	Color
REB-A4A-BU	BLUE
REB-A4A-GY	GRAY
REB-A4A-YG	YELLOW/GREEN

A

A

UNLESS OTHERWISE SPECIFIED ALL DIMENSIONS ARE INCHES [MM]. TOLERANCES: EXCEPT AS NOTED		
INCHES		
.x ± .10	∅x ± .10	
.xx ± .020	∅xx ± .015	
.xxx ± .015	∅xxx ± .010	

**ADAM TECH** 909 Rahway Avenue,  
Union, NJ 07083  
Phone: 908-687-5000  
Fax: 908-687-5710

DRAWN	WX	10/7/22
CHECKED	RC	10/7/22
APPROVED		

TITLE DIN RAIL TERMINAL BLOCKS, GUS, 4HOLE, 1.5 FLEXIBLE		
SIZE X	PART NO. REB-A4A-XX	REV. A

THIS DRAWING CONTAINS INFORMATION THAT IS PROPRIETARY AND SHOULD NOT BE USED WITHOUT PRIOR WRITTEN PERMISSION FROM ADAM TECH

REF: S00067C	SCALE: NTS	SHEET 1 OF 1
--------------	------------	--------------

6

5

4

3

2

1