

# PC series

Ergonomic pendant controllers •  
custom configurable one-handed operation



## DISTINCTIVE FEATURES

- Analog and USB output options
- Lightweight one-handed operation
- Configured to order
- Standard configuration with APEM TS Thumbstick and IP series pushbutton



## ENVIRONMENTAL SPECIFICATIONS

- Operating Temperature: -40 °C to +85 °C (-40 °F to +185 °F)
- Storage Temperature: -40 °C to +85 °C (-40 °F to +185 °F)
- Environmental sealing: IP54



## ELECTRICAL SPECIFICATIONS (WHEN CONFIGURED WITH TS SERIES)

- Supply Voltage Range: 5.00 VDC  $\pm$  0.250 VDC
- Reverse Polarity Max: -10 VDC
- Overvoltage Max: 20 VDC
- Minimum load: 1  $\Omega$
- Return to Center Voltage Tolerance:  $\pm$  200 mV initial



## MECHANICAL SPECIFICATIONS

- Operating Force: 3 N  $\pm$  0.5 N (TS); 6 N  $\pm$  2N (IP)
- Maximum Vertical Load: 200 N (45 lbf) (TS)
- Maximum Horizontal Load: 150 N
- Mechanical Angle of Movement:  $\pm$  25°
- Expected Mechanical Life: 1 million lifecycles
- Mass/weight: 226.8 g (8 oz)
- Lever Action (centering): Spring



## MATERIALS

- Body: Thermoplastic

The company reserves the right to change specifications without notice.



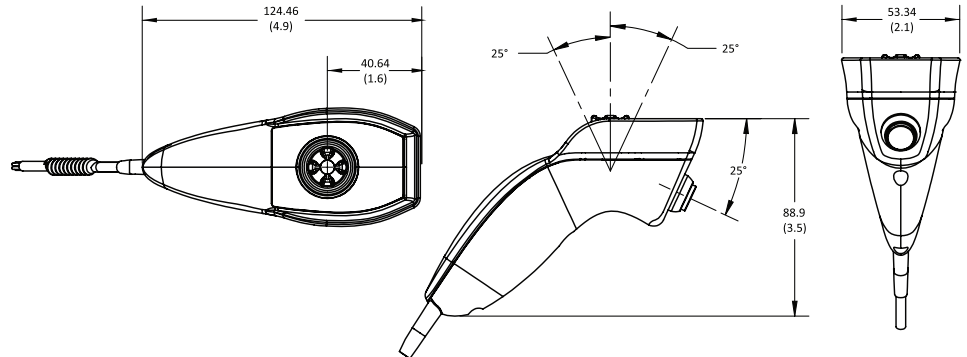
## SUPPORTED PROTOCOLS

- USB HID 1.1 game controller
- DirectX (Gaming Control)
- Uses standard Direct X HID drivers

# PC series

Ergonomic pendant controllers • custom configurable one-handed operation

## HANDLE DIMENSIONS



## STANDARD CONFIGURATIONS

TWO AXIS TS AND MOMENTARY PUSHBUTTON WITH LED



PC 2430

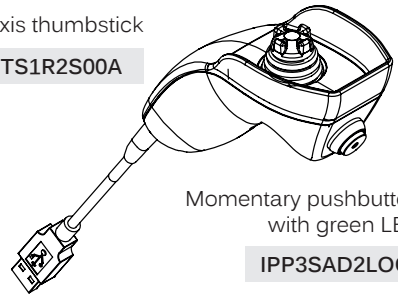
TWO AXIS TS AND MOMENTARY PUSHBUTTON



PC 2441

Two axis thumbstick

TS1R2S00A



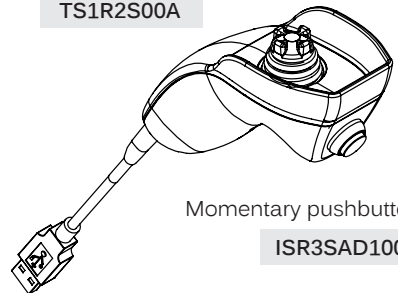
Momentary pushbutton with green LED

IPP3SAD2LOG

OUTPUT - USB "Game Controller"

Two axis thumbstick

TS1R2S00A



Momentary pushbutton

ISR3SAD100

OUTPUT - USB "Game Controller"

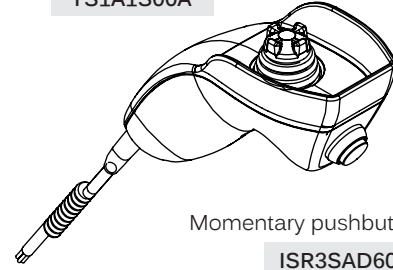
TWO AXIS TS WITH MOMENTARY PUSHBUTTON, COILED CABLE



PC 3566

Two axis thumbstick

TS1A1S00A



Momentary pushbutton

ISR3SAD600

OUTPUT - 0 V to 5 V  
CABLE LENGTH (outstretched): 5' +/- 0.5'

WIRE COLOR	FUNCTION	DESCRIPTION
Red	Thumbstick	+5VDC
Black	Thumbstick	GND
Blue	Thumbstick	X axis
Yellow	Thumbstick	Y axis
Orange	Pushbutton	Switch one
White	Pushbutton	Common