

Application Note

FemtoDLynxII™ Series Evaluation Board Documentation

The FemtoDLynxII™ series evaluation board (FKX003/006)) comes with an assembled module and test components. The specific combination of module and the board can be ordered through your sales representative.

1. Schematics

Component values are for reference only; refer to the data sheet for appropriate values and pictures in this document for preinstalled component

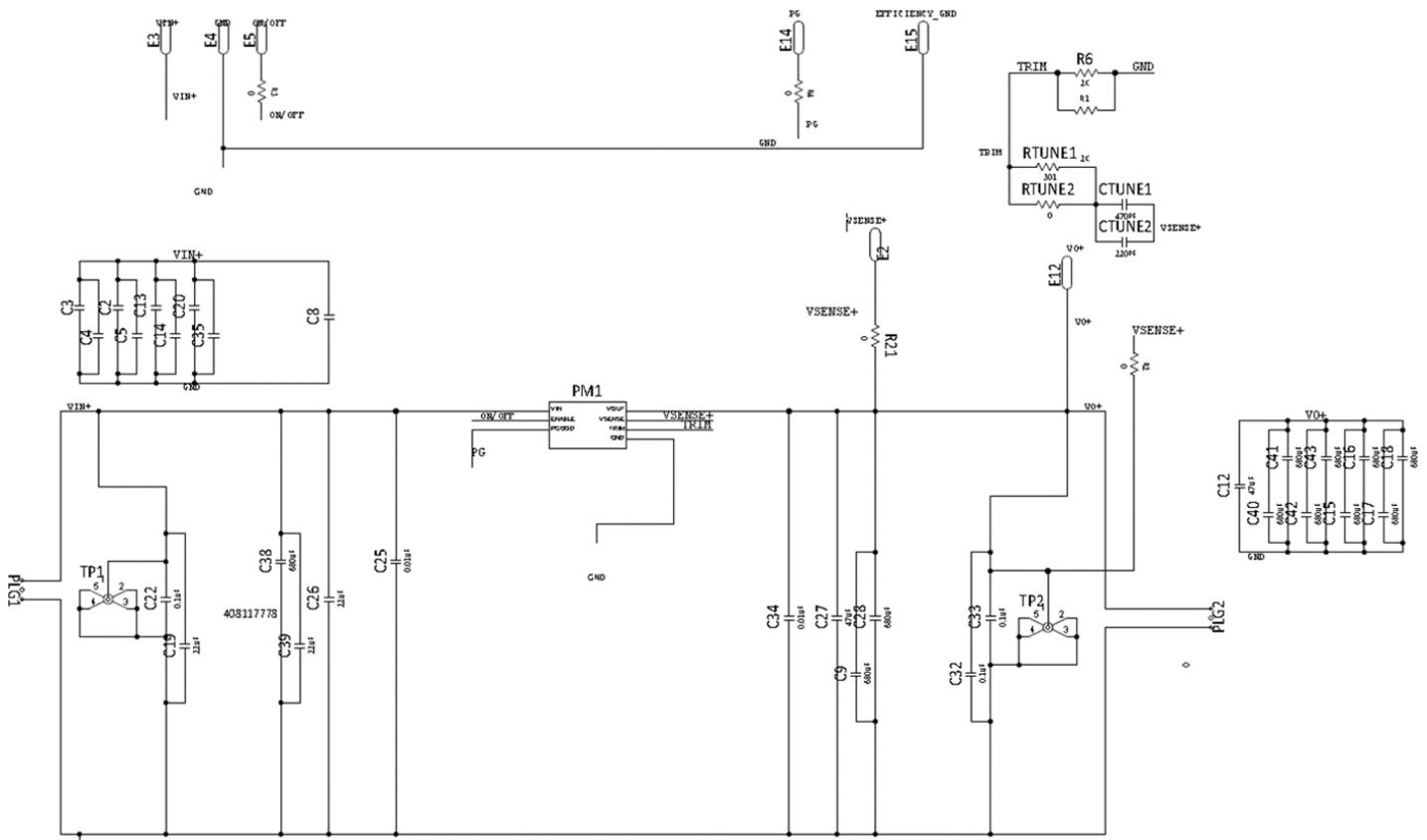


Figure 1 - Schematic of the FemtoDLynx™ single footprint evaluation board.

Component values are for reference only; refer to the data sheet for appropriate values and pictures in this document for preinstalled components

2. Physical Description

An annotated photograph of the FemtoDLynxII™, single footprint evaluation board is shown below. The arrows indicate locations of various components. Pre-Installed components for the FemtoDLynx™ - Input filtering (0.1uF, 16V), (4x22uF,16V),(470uF,16V)] 2 of the input capacitors on the bottom-side, Output filtering [(0.1uF, 16V), (4x22uF,16V)], RSENSE resistor, R21 = 0 Ohms, Trim Resistor R6 =20K and some test points.

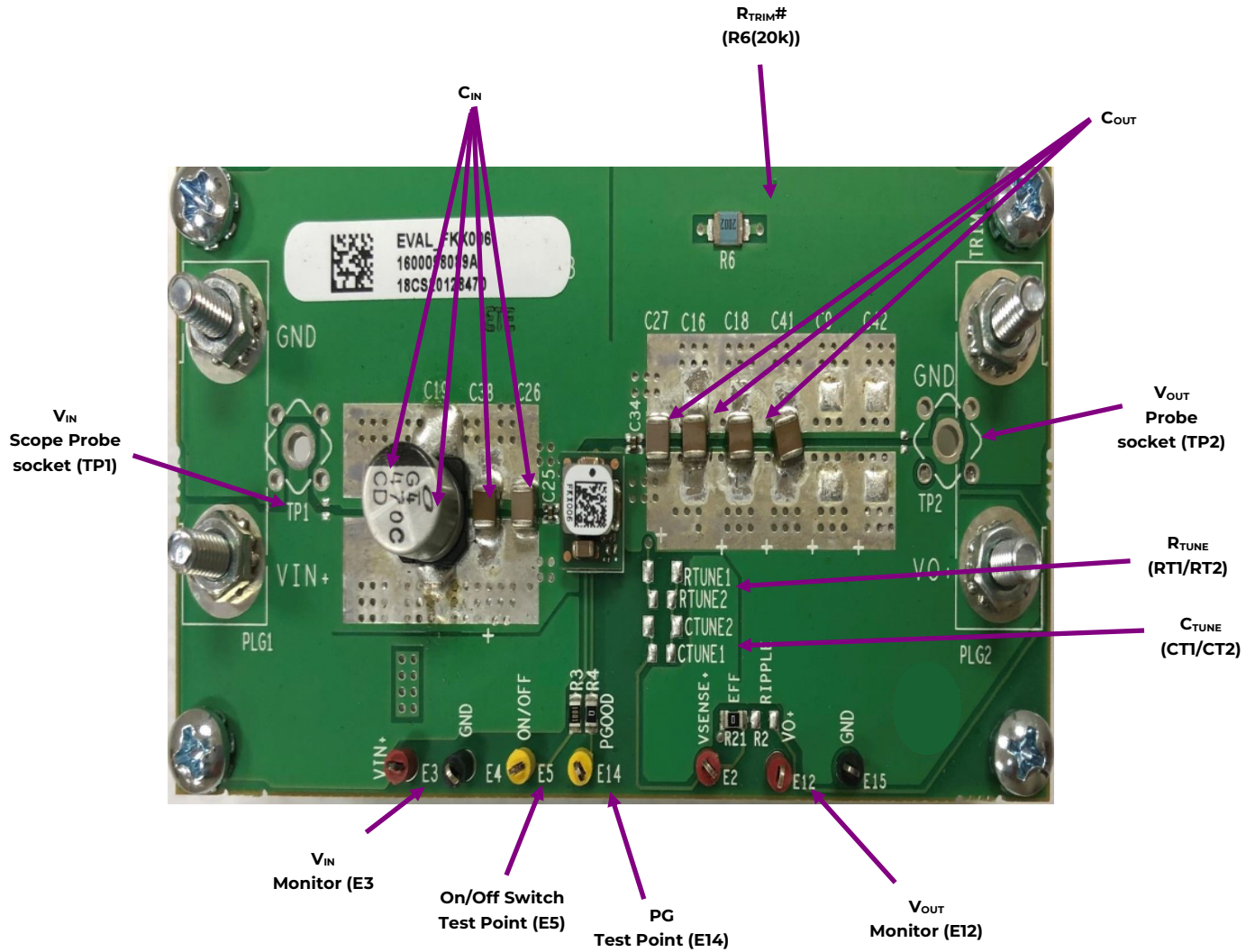


Figure 2. Power and Analog Signal Interface for the Femto Eval Board

Contact Us

For more information, call us at
 +1-877-546-3243 (US)
 +1-972-244-9288 (Int'l)

OmniOn Power Inc.

601 Shiloh Rd.
Plano, TX USA

omnionpower.com

We reserve the right to make technical changes or modify the contents of this document without prior notice. OmniOn Power does not accept any responsibility for errors or lack of information in this document and makes no warranty with respect to and assumes no liability as a result of any use of information in this document.

We reserve all rights in this document and in the subject matter and illustrations contained therein. Any reproduction, disclosure to third parties or utilization of its contents – in whole or in parts – is forbidden without prior written consent of OmniOn Power. This document does not convey license to any patent or any intellectual property right. Copyright© 2023 OmniOn Power Inc. All rights reserved.