

NU-E1K SERIES

1W UNREGULATED

DANUBE

FEATURES

- UP TO 1W UNREGULATED OUTPUT POWER
- 100% BURN IN
- HIGH EFFICIENCY
- SMD TECHNOLOGY
- LOW COST
- UL 94V-0 PACKAGE MATERIAL
- CUSTOM SOLUTIONS AVAILABLE
- MTBF>888,000 HOURS
- RoHS COMPLIANT
- 3 YEARS WARRANTY



OUTPUT SPECIFICATIONS

Voltage Set-point Accuracy	+/-2% max.
Temperature Coefficient	+/-0.03%/°C
Ripple & Noise(20MHz BW) ¹	100mVp-p max.
Line Regulation ²	+/-1.2% max.
Load Regulation ³	+/-8% max.
Minimum Load	10% of Full Load
Short Circuit Protection	Momentary
S-Suffix	Continuous

ENVIRONMENTAL SPECIFICATIONS

Operating Temperature	-40 °C to +85 °C
S-Suffix	-40 °C to +100 °C
Storage Temperature	-55 °C to +125 °C
Humidity	95% max.
Cooling	Free-Air Convection

INPUT SPECIFICATIONS

Input Voltage Range	+/-10% max.
Input Filter	Capacitor Type
Protection	Fuse Recommended

GENERAL SPECIFICATIONS

Efficiency	72%-82%
Isolation Voltage ⁴	3000 VDC min.
Isolation Resistance	10 ⁹ ohms min.
Isolation Capacitance	80pF max.
Switching Frequency	100KHz max.
MTBF ⁵	>880,000 Hours
Weight	1.2g typ.
Case Material	Non-Conductive Plastic
Case Size	15.24mm*11.1mm*7.1mm
Radiated Emissions	EN55032 Class B

ALL SPECIFICATIONS TYPICAL AT NOMINAL LINE, FULL LOAD, AND 25 °C UNLESS OTHERWISE NOTED.

¹ Measured with 1uF ceramic capacitor connect to the output pins.

² Line Regulation is for a 1.0% change in input Voltage.

³ Load Regulation is for output load current change from 20% to 100%.

⁴ For 3 seconds.

⁵ MIL-HDBK-217F@25 °C, Ground Benign.

● **SELECTION GUIDE**
1W 3000VDC ISOLATION

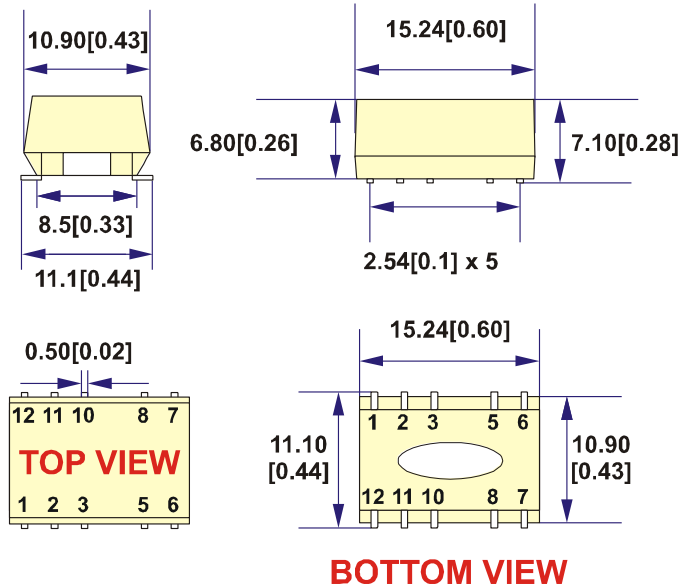
MODEL NUMBER	INPUT VOLTAGE (VDC)	OUTPUT VOLTAGE (VDC)	OUTPUT CURRENT (mA)	INPUT ⁶		EFF (%) ⁷	ISOLATION (VDC)	PACKAGE
				CURRENT(mA)				
				FULL LOAD	NO LOAD			
NUS-03.303.3E1K(S)	3.3	3.3	300	415	40	73	3000	E
NUS-0503.3E1K(S)	5	3.3	300	267	30	75	3000	E
NUS-0505E1K(S)	5	5	200	260	30	77	3000	E
NUS-0512E1K(S)	5	12	84	257	30	78	3000	E
NUS-0515E1K(S)	5	15	67	253	30	79	3000	E
NUD-0505E1K(S)	5	+/-5	+/-100	260	30	77	3000	E
NUD-0512E1K(S)	5	+/-12	+/-42	257	30	78	3000	E
NUD-0515E1K(S)	5	+/-15	+/-34	253	30	79	3000	E
NUS-1205E1K(S)	12	5	200	104	12	80	3000	E
NUS-1212E1K(S)	12	12	84	103	12	81	3000	E
NUS-1215E1K(S)	12	15	67	102	12	82	3000	E
NUD-1205E1K(S)	12	+/-5	+/-100	104	12	80	3000	E
NUD-1212E1K(S)	12	+/-12	+/-42	103	12	81	3000	E
NUD-1215E1K(S)	12	+/-15	+/-34	102	12	82	3000	E
NUS-2405E1K(S)	24	5	200	55	10	76	3000	E
NUS-2412E1K(S)	24	12	84	55	10	76	3000	E
NUS-2415E1K(S)	24	15	67	55	10	76	3000	E
NUD-2405E1K(S)	24	+/-5	+/-100	55	10	76	3000	E
NUD-2412E1K(S)	24	+/-12	+/-42	55	10	76	3000	E
NUD-2415E1K(S)	24	+/-15	+/-34	55	10	76	3000	E

Note: Other input to output voltages may be available. Please contact factory.

⁶ NOMINAL INPUT VOLTAGE.

⁷ NOMINAL INPUT VOLTAGE, FULL LOAD.

● **MECHANICAL DIMENSIONS & RECOMMENDED FOOTPRINT DETAILS**
PACKAGE "E"



PIN	SINGLE	DUAL
1	-Vin	-Vin
2	+Vin	+Vin
3	NC	NC
5	-Vout	Com
6	NC	-Vout
7	NC	NC
8	+Vout	+Vout
10	NC	NC
11	NC	NC
12	NC	NC

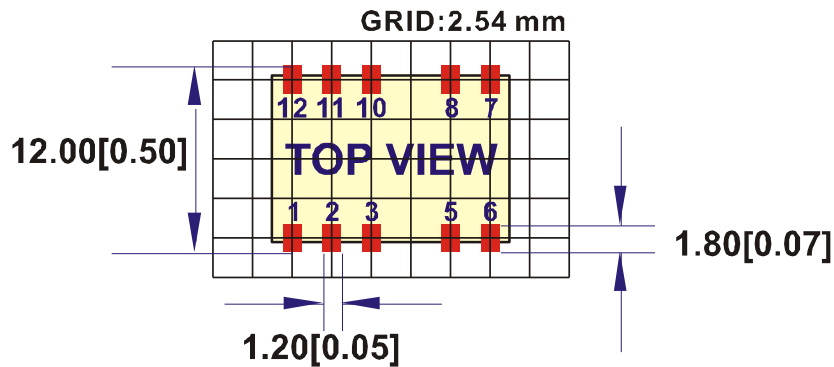
NOTE : All Dimensions are in mm [inches]

1. Pin Size is 0.50x0.30mm[0.02x0.01"]

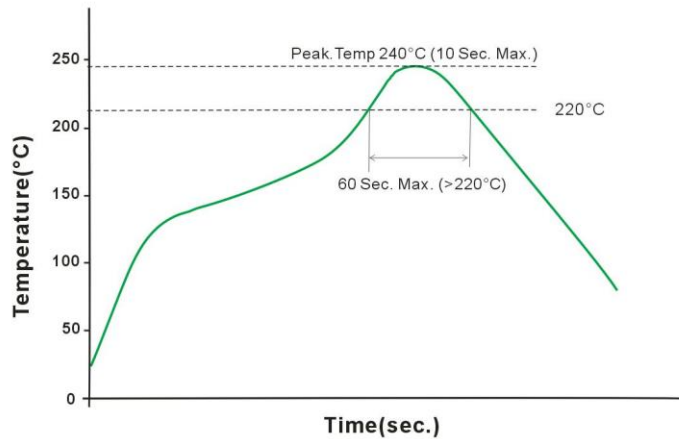
2. Pin is Tolerance .XX= ±0.07mm

3. Tolerance .X or .XX= ±0.5mm

All dimensions are in mm[inches]



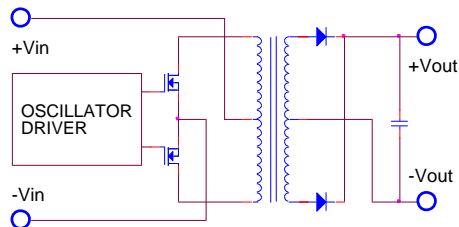
● REFLOW SOLDERING CURVE



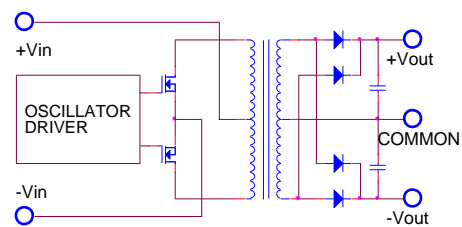
Remark: The curve applies only to the hot air reflow soldering.

● SIMPLIFIED SCHEMATIC

SINGLE OUTPUT

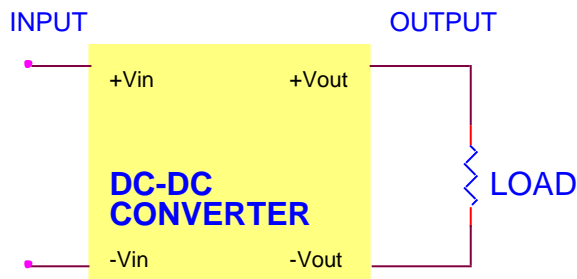


DUAL OUTPUT

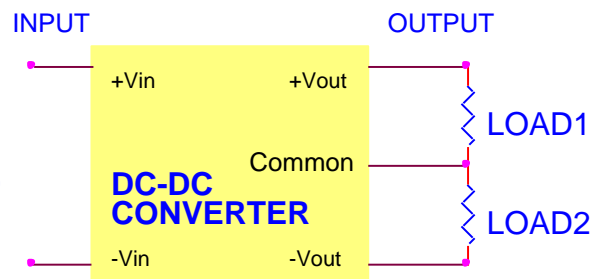


● TYPICAL APPLICATIONS

SINGLE OUTPUT



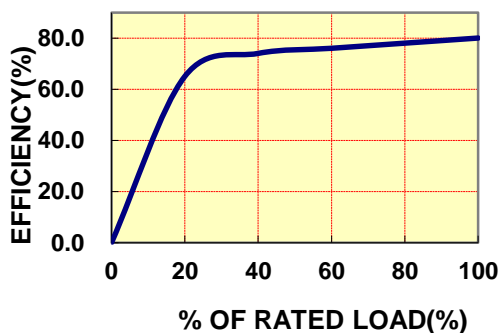
DUAL OUTPUT



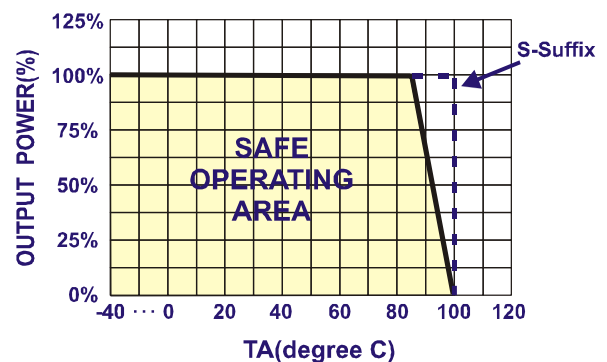
● TYPICAL PERFORMANCE CURVES

Specifications typical at $t_a=25^\circ\text{C}$, nominal input voltage, rated output current unless otherwise specified.

OUTPUT LOAD VS EFFICIENCY



TEMPERATURE DERATING



● INPUT FUSE SELECTION GUIDE 1W 3000VDC ISOLATION

4.5-5.5V INPUT VOLTAGE(VDC)	10.8-13.2V INPUT VOLTAGE(VDC)	21.6-26.4V INPUT VOLTAGE(VDC)
750mA Slow-Blow Type	300mA Slow-Blow Type	150mA Slow-Blow Type

The diagram shows a yellow rectangular block labeled 'DC-DC CONVERTER'. On the left side, there are two terminals: '+Vin' (top) and '-Vin' (bottom). On the right side, there are two terminals: '+Vout' (top) and '-Vout' (bottom). A blue line labeled 'INPUT' enters from the left, passes through a component labeled 'Fuse', and connects to the '+Vin' terminal. A blue line labeled 'OUTPUT' exits from the right, connecting to the '+Vout' terminal. There are also lines connecting to the '-Vin' and '-Vout' terminals.

Note: Certain applications may require the installation of external fuse in front of the input.

NU-E1K SERIES APPLICATION NOTES:

EXTERNAL CAPACITANCE REQUIREMENTS:

Output filtering is required for operation. A minimum of 10uF is needed. Output capacitance may be increased for additional filtering, not to exceed 220uF.

To meet the reflected ripple requirements of the converter, an input impedance of less than 0.5 ohm from DC to 250KHz is required.

We Can Offer EMC-Filter According To EN55032 Class B.

Negative Outputs:

A negative output voltage may be obtained by connecting the +OUT to circuit ground and connecting -OUT as the negative output.

FOR MORE INFORMATION CALL:

Danube Enterprise Co., Ltd.

Tel: 886-7-3755165

Fax: 886-7-3755330

E-mail: danube@ms10.hinet.net

Home Page

<http://www.danube.com.tw>
