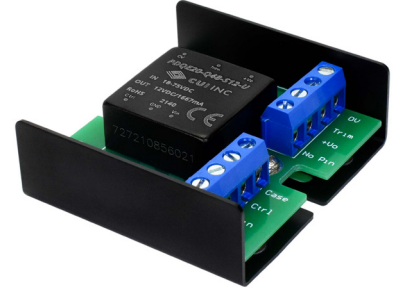


SERIES: PDQE20-U | DESCRIPTION: DC-DC CONVERTER
FEATURES

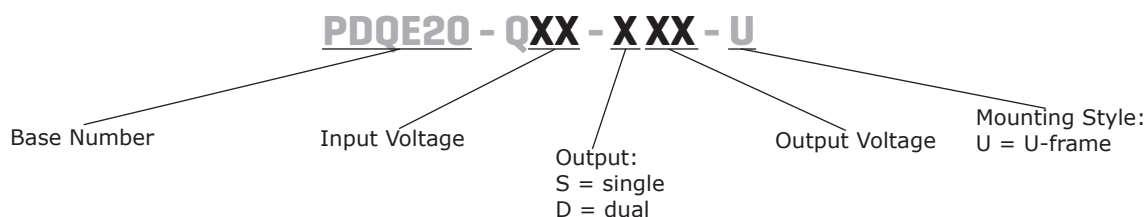
- up to 20 W isolated output
- 1,500 Vdc isolation
- ultra-wide 4:1 input range (9~36 Vdc, 18~75 Vdc)
- same side input/output connections
- single/dual regulated outputs
- input under-voltage, output short-circuit, over-current, & over-voltage protections
- wide operating temperature range (-40~105°C)
- efficiency up to 91%
- EN/BS EN 62368-1
- meets UL 62368


MODEL

MODEL	input voltage		output voltage (Vdc)	output current		output power max (W)	ripple & noise ¹ max (mVp-p)	efficiency ² typ (%)
	typ (Vdc)	range (Vdc)		min (mA)	max (mA)			
PDQE20-Q24-D5-U ³	24	9~36	±5	0	±2000	20	200	87
PDQE20-Q24-D12-U ³	24	9~36	±12	0	±833	20	200	90
PDQE20-Q24-D15-U ³	24	9~36	±15	0	±667	20	200	90
PDQE20-Q24-D24-U ³	24	9~36	±24	0	±417	20	200	89
PDQE20-Q24-S3-U ³	24	9~36	3.3	0	5000	16.5	100	88
PDQE20-Q24-S5-U ³	24	9~36	5	0	4000	20	100	90
PDQE20-Q24-S6-U ³	24	9~36	6	0	3333	20	100	89
PDQE20-Q24-S12-U ³	24	9~36	12	0	1667	20	100	90
PDQE20-Q24-S15-U ³	24	9~36	15	0	1333	20	100	91
PDQE20-Q24-S24-U ³	24	9~36	24	0	833	20	100	91
PDQE20-Q48-D5-U	48	18~75	±5	0	±2000	20	200	86
PDQE20-Q48-D12-U	48	18~75	±12	0	±833	20	200	90
PDQE20-Q48-D15-U	48	18~75	±15	0	±667	20	200	90
PDQE20-Q48-D24-U	48	18~75	±24	0	±417	20	200	90
PDQE20-Q48-S3-U	48	18~75	3.3	0	5000	16.5	100	88
PDQE20-Q48-S5-U	48	18~75	5	0	4000	20	100	90
PDQE20-Q48-S12-U	48	18~75	12	0	1667	20	100	91
PDQE20-Q48-S15-U	48	18~75	15	0	1333	20	100	91
PDQE20-Q48-S24-U	48	18~75	24	0	833	20	100	91

- Notes:
1. From 5~100% load, 20 MHz bandwidth oscilloscope, using the "parallel cable" method for testing.
From 0~5% load, ripple and noise is <5% Vo.
 2. Measured at nominal input voltage and rated load.
 3. Model is not CE certified.
 4. All specifications are measured at Ta=25°C, humidity < 75%, nominal input voltage, and rated output load unless otherwise specified.

PART NUMBER KEY



INPUT

parameter	conditions/description	min	typ	max	units	
operating input voltage	24 Vdc input models	9	24	36	Vdc	
	48 Vdc input models	18	48	75	Vdc	
start-up voltage	24 Vdc input models			9	Vdc	
	48 Vdc input models			18	Vdc	
surge voltage	for maximum of 1 second					
	24 Vdc input models	-0.7		50	Vdc	
	48 Vdc input models	-0.7		100	Vdc	
under voltage shutdown	24 Vdc input models	5.5	6.5		Vdc	
	48 Vdc input models	12	15.5		Vdc	
current (full load/no load)	dual output models	24 Vdc input models		958/10	980/20	mA
		48 Vdc input models		484/5	496/11	mA
	24 Vdc input models	3.3 Vdc output		782/30	800/50	mA
		5 Vdc output		926/35	947/55	mA
		6 Vdc output		936/50	958/70	mA
		12 Vdc output		926/6	947/15	mA
		15 Vdc output		916/6	937/15	mA
		24 Vdc output		916/10	937/20	mA
	single output models	3.3 Vdc output		391/15	400/30	mA
		5 Vdc output		463/20	474/30	mA
12, 15 Vdc output			458/3	469/15	mA	
24 Vdc output			458/4	469/15	mA	
remote on/off (CTRL)	module ON (3.5~12 Vdc or CTRL pin open circuit or pulled high)					
	module OFF (0~1.2 Vdc CTRL pin pulled low to GND) input current when switched off		2	7	mA	
start-up time	nominal input, constant resistance load		10		ms	
filter	Pi filter					

OUTPUT

parameter	conditions/description	min	typ	max	units
maximum capacitive load ⁵	3.3, 5, 6 Vdc output models			10,000	μF
	±5 Vdc output models			2,000	μF
	12 Vdc output models			1,600	μF
	±12 Vdc output models			800	μF
	15 Vdc output models			1,000	μF
	±15 Vdc output models			600	μF
	24 Vdc output models			500	μF
	±24 Vdc output models			300	μF
voltage accuracy ⁵	0% to full load		±1	±3	%
line regulation	from low line to high line, full load				
	positive outputs		±0.2	±0.5	%
	negative outputs		±0.4	±1	%
load regulation ⁷	from 5% to full load		±0.5	±1	%

OUTPUT (CONTINUED)

parameter	conditions/description	min	typ	max	units
cross regulation	dual output models: positive output 50% load secondary output from 10~100% load			±5	%
switching frequency ⁸	PWM mode 3.3, 5, 6 Vdc output models all other output models		300 270		kHz kHz
transient recovery time	25% load step change, nominal input voltage		300	500	µs
transient response deviation	25% load step change, nominal input voltage 3.3, 5, ±5, 6 Vdc output model all other output models		±3 ±3	±8 ±5	% %
temperature coefficient	at full load			±0.03	%/°C

Note: 5. Specified maximum capacitive load for positive and negative outputs is identical.
6. Output voltage accuracy of dual output models for 0%~5% load is ±4%.
7. Load regulation for 0%~100% load is ±5%.
8. Switching frequency is measured at full load. Module reduces switching frequency at light load (below 50%), to increase efficiency.

PROTECTIONS

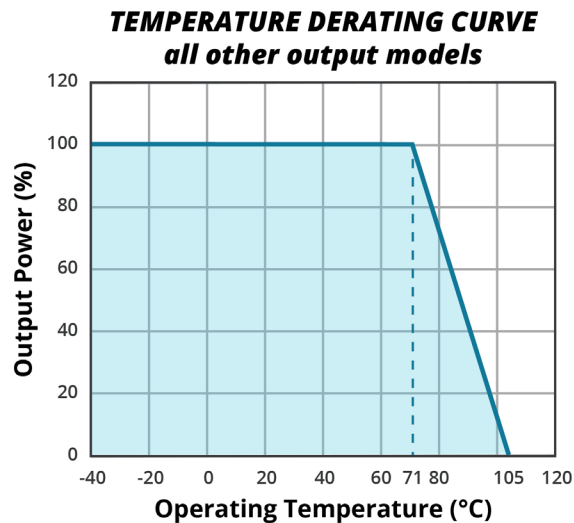
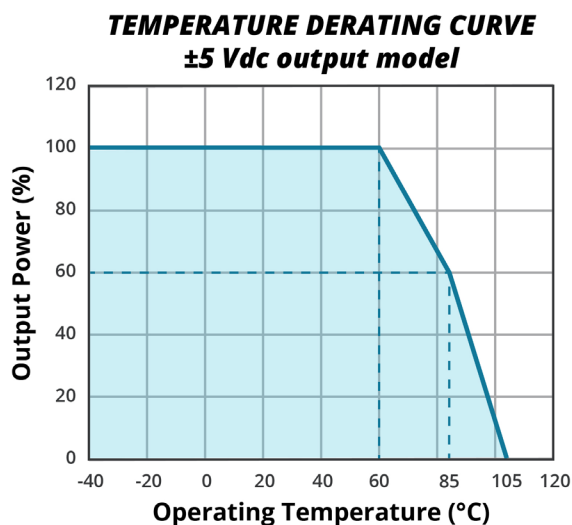
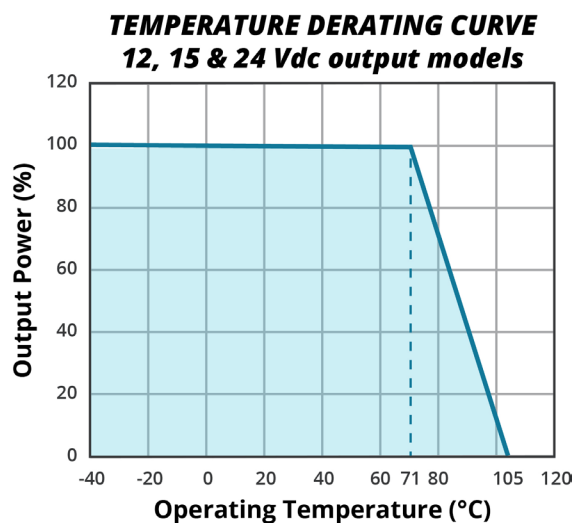
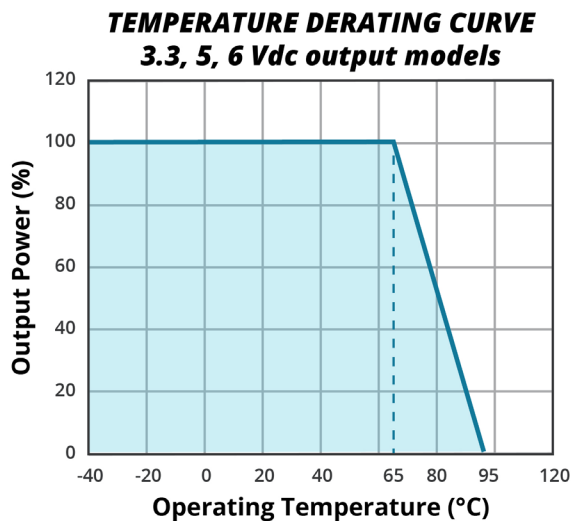
parameter	conditions/description	min	typ	max	units
over voltage protection		110		160	%
over current protection	single output models dual output models	110 110	150 150	190 200	% %
short circuit protection	continuous, auto recovery				

SAFETY AND COMPLIANCE

parameter	conditions/description	min	typ	max	units
isolation voltage	input to output for 1 minute at 1 mA input to output-case for 1 minute at 1 mA	1,500 1,000			Vdc Vdc
isolation resistance	input to output at 500 Vdc	1,000			MΩ
isolation capacitance	input to output, 100 kHz / 0.1 V		2,000		pF
safety approvals	certified to 62368: EN, BS EN				
conducted emissions	CISPR32/EN55032 CLASS B (see Fig. 3-2) EN50121-3-2 150kHz-500kHz 99dBuV (see Fig. 3-2) EN55016-2-1 500kHz-30MHz 93dBuV (see Fig. 3-2)				
radiated emissions	CISPR32/EN55032 CLASS B (see Fig. 3-2) EN50121-3-2 30MHz-230MHz 40dBuV/m at 10m (see Fig. 3-2) EN55016-2-1 230MHz-1GHz 47dBuV/m at 10m (see Fig. 3-2)				
ESD	IEC/EN61000-4-2 Contact ±4kV, perf. Criteria B EN50121-3-2 Contact ±6kV/Air ±8kV, perf. Criteria A				
radiated immunity	IEC/EN61000-4-3 10V/m, perf. Criteria A EN50121-3-2 20V/m, perf. Criteria A				
EFT/burst	IEC/EN61000-4-4 ±2kV (see Fig. 3-1), perf. Criteria B EN50121-3-2 ±2kV 5/50ns 5kHz (see Fig. 3-1), perf. Criteria A				
surge	IEC/EN61000-4-4 ±2kV (see Fig. 3-1), perf. Criteria B EN50121-3-2 line to line ±1kV (42Ω, 0.5µF) (see Fig. 3-1), perf. Criteria A				
conducted immunity	IEC/EN61000-4-6 3 Vr.m.s, perf. Criteria A EN50121-3-2 0.15MHz-80MHz 10V r.m.s, perf. Criteria A				
MTBF	as per MIL-HDBK-217F, 25°C	1,000,000			hours
RoHS	yes				

ENVIRONMENTAL

parameter	conditions/description	min	typ	max	units
operating temperature	see derating curve	-40		95	°C
	3.3, 5, 6 Vdc output all other output models	-40		105	°C
storage temperature		-55		125	°C
storage humidity	non-condensing	5		95	%

DERATING CURVES**SOLDERABILITY**

parameter	conditions/description	min	typ	max	units
pin soldering resistance temperature	1.5 mm from case for 10 seconds			300	°C

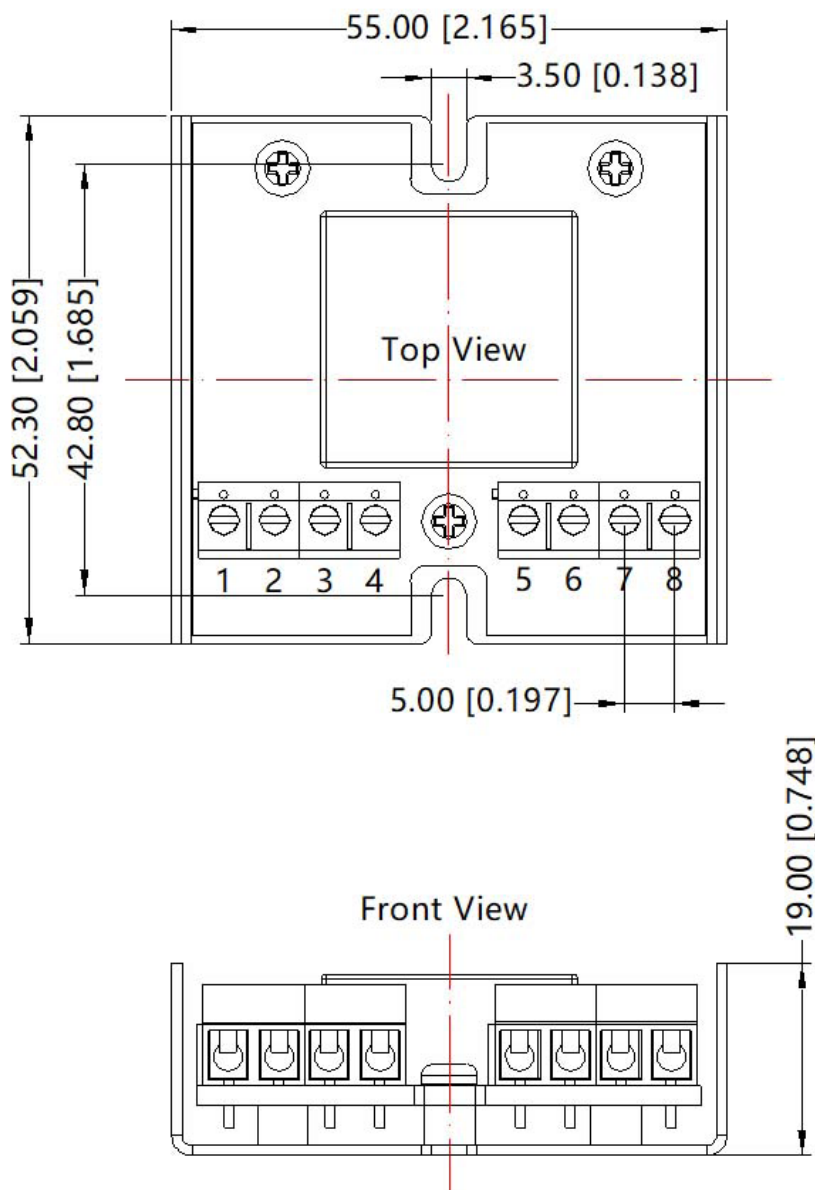
MECHANICAL

parameter	conditions/description	min	typ	max	units
dimensions	55.00 x 52.30 x 19.00 [2.165 x 2.059 x 0.748 inch]				mm
case material	aluminum alloy				
weight			46		g

MECHANICAL DRAWING

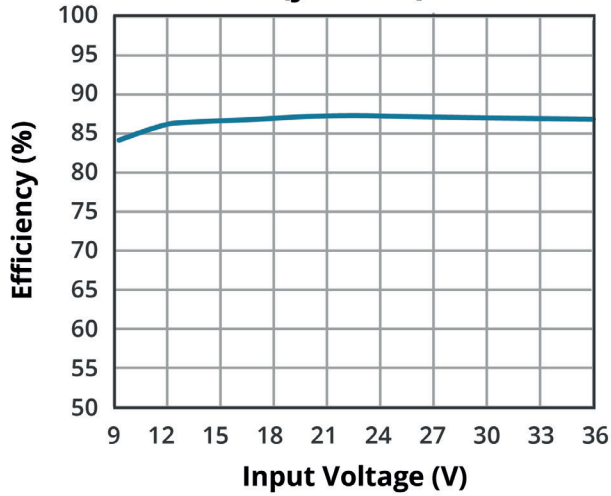
units: mm [inch]
 wire range: 24-12 AWG
 tolerance: $\pm 1.00[\pm 0.039]$
 tightening torque: Max 0.4 N·m

PIN CONNECTIONS		
PIN	Function	
	Single	Dual
1	GND	GND
2	Vin	Vin
3	Ctrl	Ctrl
4	Case	Case
5	NC	NC
6	+Vo	+Vo
7	Trim	0V
8	0V	-Vo

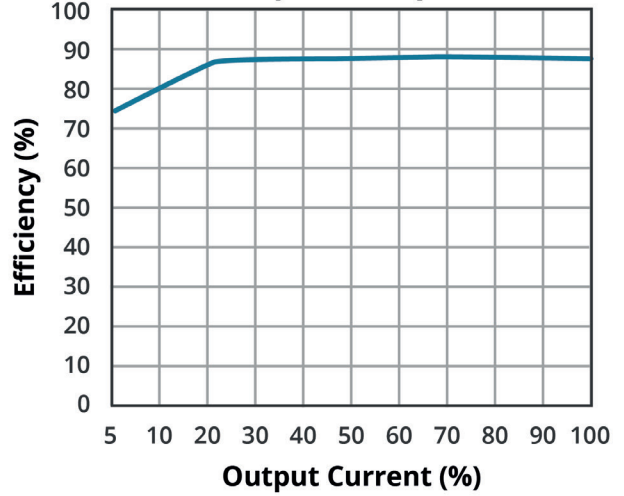


EFFICIENCY CURVES

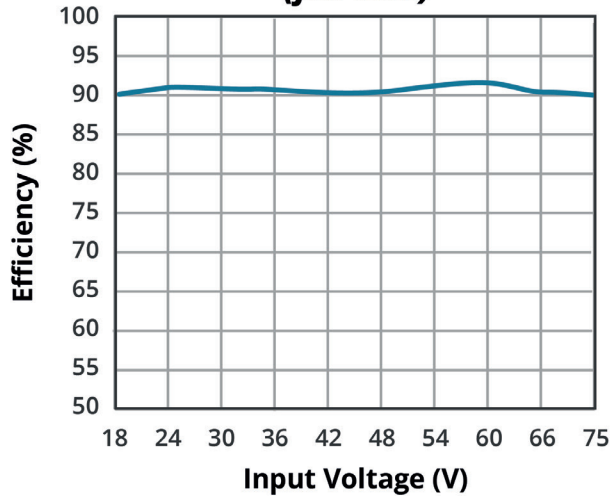
EFFICIENCY VS INPUT VOLTAGE
PDQE20-Q24-D5-U
(full load)



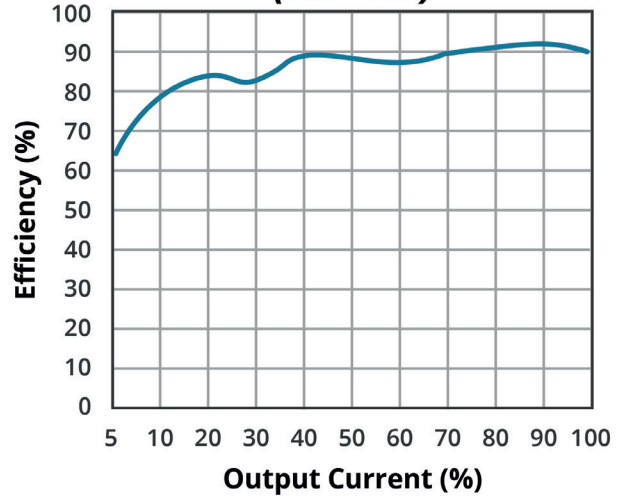
EFFICIENCY VS OUTPUT LOAD
PDQE20-Q24-D5-U
(Vin = 24V)



EFFICIENCY VS INPUT VOLTAGE
PDQE20-Q48-D24-U
(full load)

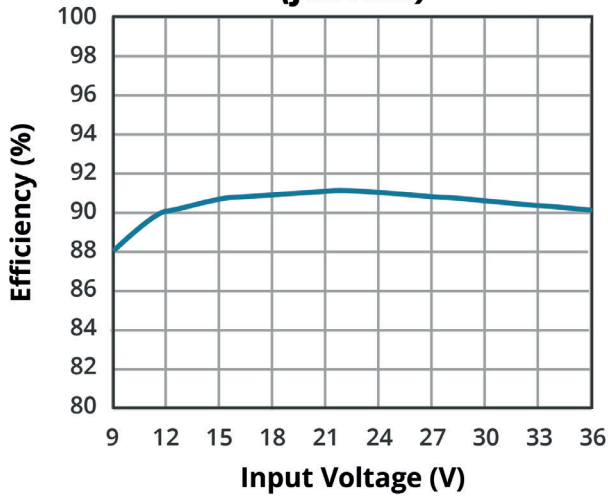


EFFICIENCY VS OUTPUT LOAD
PDQE20-Q48-D24-U
(Vin = 48V)

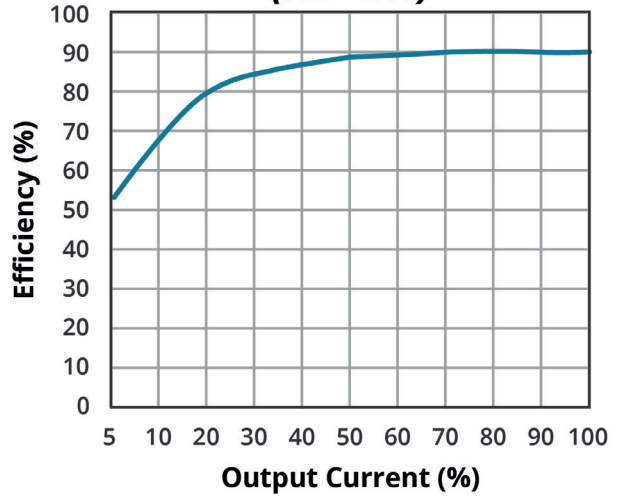


EFFICIENCY CURVES (CONTINUED)

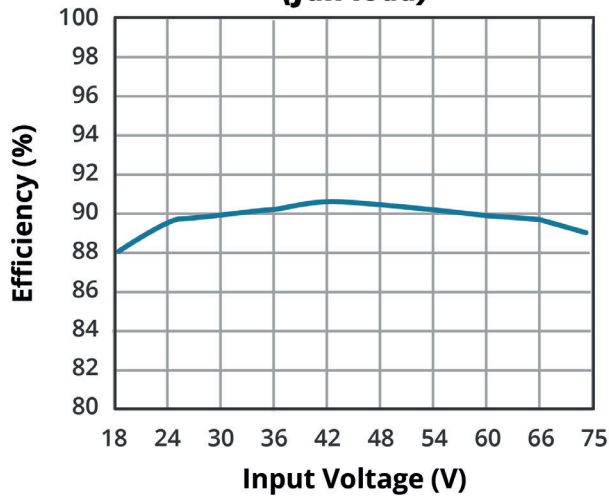
EFFICIENCY VS INPUT VOLTAGE
PDQE20-Q24-S5-U
(full load)



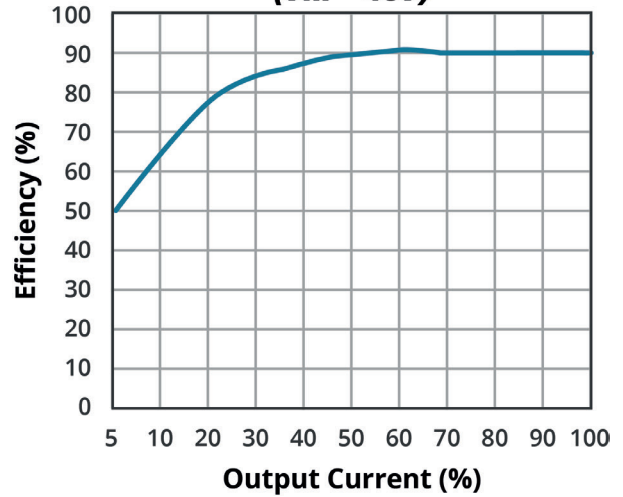
EFFICIENCY VS OUTPUT LOAD
PDQE20-Q24-S5-U
(Vin = 24V)



EFFICIENCY VS INPUT VOLTAGE
PDQE20-Q48-S5-U
(full load)



EFFICIENCY VS OUTPUT LOAD
PDQE20-Q48-S5-U
(Vin = 48V)



APPLICATION CIRCUIT

This series has been tested according to the following recommended circuits (Figures 1 & 2) before leaving the factory. If you want to further reduce the input and output ripple, you can increase the input and output capacitors or select capacitors of low equivalent series resistance (ESR) provided that the capacitance is less than the maximum capacitive load of the model.

Figure 1
Single Output Models

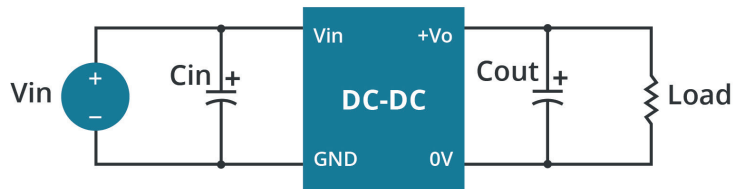


Figure 2
Dual Output Models

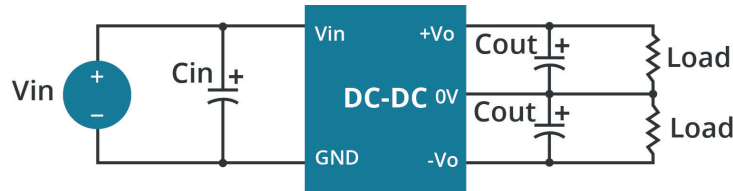


Table 1

Vin (Vdc)	Cin (μF/V)	Vout (Vdc)	Cout (μF/V)
24	100/50	±5	10/16
		±12/±15	10/25
		±24	10/50
		3.3/5/6	100/16
		12/15	100/25
		24	47/50
48	10~47/50	±5	10/16
		±12/±15	10/25
		±24	10/50
	100/100	3.3/5	100/16
		12/15	100/25
		24	47/50

EMC RECOMMENDED CIRCUIT

Figure 3

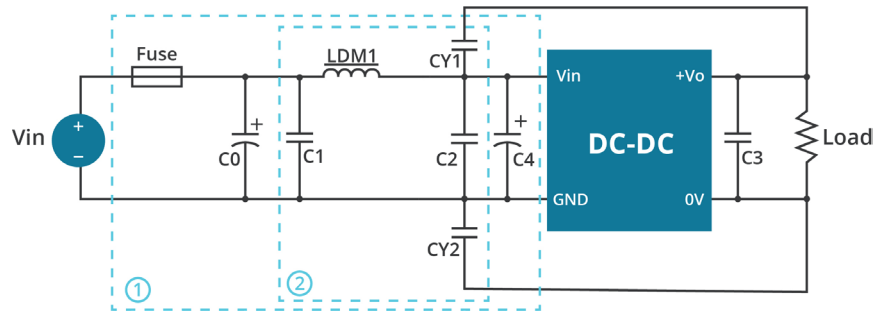


Table 2

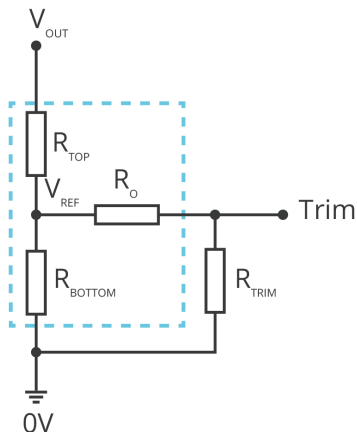
Recommended External Circuit Components			
Vin (Vdc)	24		48
FUSE	choose according to actual input current		
C0/C4	330μF / 50V	330μF / 100V	
C1/C2	4.7μF / 50V	4.7μF / 100V	
C3	refer to the Cout in Figure 1 & 2		
LDM1	single	2.2uH/4A	202uH/2A
	dual	4.7μH	
CY1, CY2	1nF / 2kV		

APPLICATION NOTES

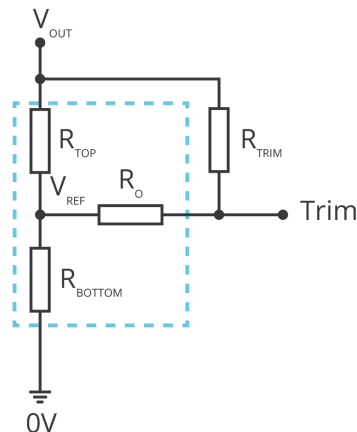
Open if unused.

Figure 4

Trim up



Trim down



$$R_{TRIM} = \frac{a \cdot R_{BOTTOM}}{R_{BOTTOM} - a} - R_O \quad a = \frac{V_{REF}}{V_{OUT} - V_{REF}} \cdot R_{TOP}$$

Formula for Trim up

$$R_{TRIM} = \frac{a \cdot R_{TOP}}{R_{TOP} - a} - R_O \quad a = \frac{V_{OUT} - V_{REF}}{V_{REF}} \cdot R_{BOTTOM}$$

Formula for Trim down

Table 3

V _{OUT} (Vdc)	R _{TOP} (kΩ)	R _{BOTTOM} (kΩ)	R _O (kΩ)	V _{REF} (V)
3.3	4.80	2.87	15	1.25
5	2.894	2.87	10	2.5
6	4.064	2.87	10	2.5
12	11.000	2.87	17.4	2.5
15	14.494	2.87	17.4	2.5
24	24.872	2.87	20	2.5

Note: Value for R_{TOP}, R_{BOTTOM}, R_O, and V_{REF} refer to Table 3 (fixed internal values).

R_{TRIM}: Trim resistance

a: User-defined parameter, no actual meanings

V_{OUT}: Nominal output voltage

REVISION HISTORY

rev.	description	date
1.0	initial release	12/06/2021
1.01	Vref updated for 3.3 Vdc output model	02/07/2022
1.02	CE certification updated for 24V models	11/29/2022

The revision history provided is for informational purposes only and is believed to be accurate.



CUI INC
a bel group

Headquarters
20050 SW 112th Ave.
Tualatin, OR 97062
800.275.4899

Fax 503.612.2383
cui.com
techsupport@cui.com

CUI offers a two (2) year limited warranty. Complete warranty information is listed on our website.

CUI reserves the right to make changes to the product at any time without notice. Information provided by CUI is believed to be accurate and reliable. However, no responsibility is assumed by CUI for its use, nor for any infringements of patents or other rights of third parties which may result from its use.

CUI products are not authorized or warranted for use as critical components in equipment that requires an extremely high level of reliability. A critical component is any component of a life support device or system whose failure to perform can be reasonably expected to cause the failure of the life support device or system, or to affect its safety or effectiveness.