



50x50x15mm

- Airflow: 12.0~17.1 CFM
- Static Pressure: 2.0~4.4 mm-H₂O
- Blade / Housing: Plastic Material UL 94V-0 P.B.T.
- Lead Wire: UL1007 #26 AWG
- Weight: 27 g

Model No.	Bearing	Rated Voltage	Operating Voltage Range	Speed	Max. Airflow	Max. Static Pressure	Current	Power Consumption	Life at 40°C L10	P-Q Curve	Noise Level
		VDC	VDC	RPM	CFM	mm-H ₂ O	mA	W	Hour		dB(A)
YW05015005BL	2B	05	4~5.5	3800	12.0	2.0	180	0.90	80000	4	24.5
YW05015005BM	2B		4~5.5	4500	13.1	3.2	250	1.25	80000	3	29.5
YW05015005BH	2B		4~5.5	5000	15.5	3.6	285	1.43	75000	2	31.5
YW05015012BL	2B	12	7~13.2	3800	12.0	2.0	85	1.02	80000	4	24.5
YW05015012BM	2B		7~13.2	4500	13.1	3.2	130	1.56	80000	3	30.0
YW05015012BH	2B		7~13.2	5000	15.5	3.6	170	2.04	75000	2	31.5
YW05015012BS	2B		7~13.2	5500	17.1	4.4	220	2.64	65000	1	36.5
YW05015024BL	2B	24	12~26.4	3800	12.0	2.0	70	1.68	80000	4	24.5
YW05015024BM	2B		12~26.4	4500	13.1	3.2	80	1.92	80000	3	30.0
YW05015024BH	2B		12~26.4	5000	15.5	3.6	90	2.16	75000	2	31.5
YW05015024BS	2B		12~26.4	5500	17.1	4.4	110	2.64	65000	1	36.5

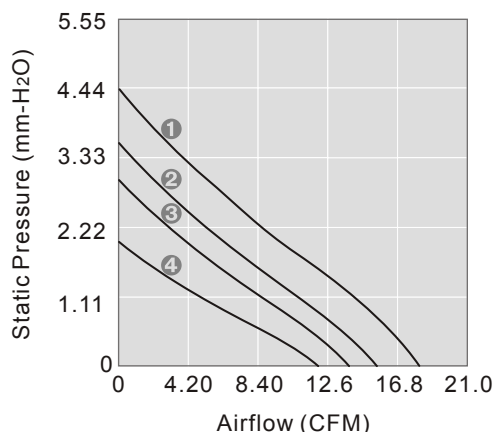
2B: 2-ball bearing L: sintetico bearing S: sleeve bearing

Voltage Available
05 12 24 48

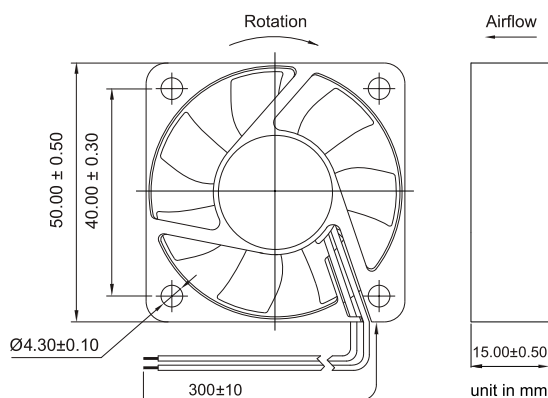
Bearing System Available
2B L S

Function Available
1 6 5 4 3 2 7 8 9 10 11 14 12 13

PERFORMANCE P-Q CURVE



OUTLINE DIMENSIONS



Please refer to Model Numbering System for bearing, function and speed level indication. Specifications are subject to changes without notice. Please refer to the formally issued product specification via contacting Y.S. TECH sales department. Visit Y.S. TECH web site at <http://www.ystechusa.com/> for updated information. Customized Specifications are designed accordingly.