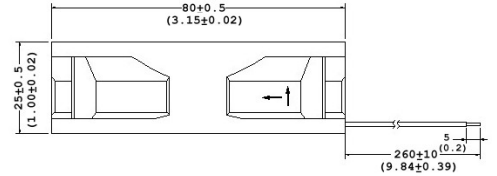
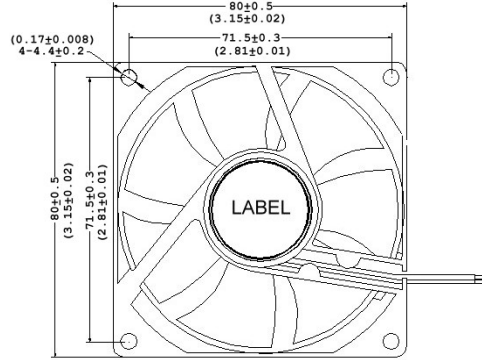


D8025 High Efficiency Series

80x80x25mm (3.15x3.15x1.0in)

DC FAN



Dimensions are in millimeters. () are in inches.

PART NO.	BEARINGS ●=Ball ○=Sleeve	VOLTAGE (V)	RANGE (VDC)	CURRENT (A)	POWER (W)	SPEED (RPM)	AIR FLOW (Q) (m³/min)	AIR FLOW (Q) (CFM)	PRESSURE (P) (mmAq)	PRESSURE (P) (inH₂O)	* FEATURES (x)	NOISE (dBA)
D8025X12BPLBx	●	12	7~14	0.177	2.12	3600	1.24	43.9	4.79	0.19	1,2a,2b,3a,3b	36.8
D8025X12SPLPx	○	12	7~14	0.177	2.12	3600	1.24	43.9	4.79	0.19	1,2a,2b,3a,3b	36.8
D8025H12BPLBx	●	12	7~14	0.128	1.54	3000	1.03	36.2	3.35	0.13	1,2a,2b,3a,3b	31.3
D8025H12SPLPx	○	12	7~14	0.128	1.54	3000	1.03	36.2	3.35	0.13	1,2a,2b,3a,3b	31.3
D8025M12BPLBx	●	12	7~14	0.088	1.05	2600	0.88	31.2	2.48	0.10	1,2a,2b,3a,3b	26.9
D8025M12SPLPx	○	12	7~14	0.088	1.05	2600	0.88	31.2	2.48	0.10	1,2a,2b,3a,3b	26.9
D8025L12BPLBx	●	12	7~14	0.067	0.80	2200	0.75	26.6	1.85	0.07	1,2a,2b,3a,3b	23.3
D8025L12SPLPx	○	12	7~14	0.067	0.80	2200	0.75	26.6	1.85	0.07	1,2a,2b,3a,3b	23.3
D8025X24BPLBx	●	24	12~27	0.084	2.02	3600	1.24	43.9	4.79	0.19	1,2a,2b,3a,3b	36.8
D8025X24SPLPx	○	24	12~27	0.084	2.02	3600	1.24	43.9	4.79	0.19	1,2a,2b,3a,3b	36.8
D8025H24BPLBx	●	24	12~27	0.053	1.28	3000	1.03	36.2	3.35	0.13	1,2a,2b,3a,3b	31.3
D8025H24SPLPx	○	24	12~27	0.053	1.28	3000	1.03	36.2	3.35	0.13	1,2a,2b,3a,3b	31.3
D8025M24BPLBx	●	24	12~27	0.035	0.83	2600	0.88	31.2	2.48	0.10	1,2a,2b,3a,3b	26.9
D8025M24SPLPx	○	24	12~27	0.035	0.83	2600	0.88	31.2	2.48	0.10	1,2a,2b,3a,3b	26.9
D8025L24BPLBx	●	24	12~27	0.028	0.67	2200	0.75	26.6	1.85	0.07	1,2a,2b,3a,3b	23.3
D8025L24SPLPx	○	24	12~27	0.028	0.67	2200	0.75	26.6	1.85	0.07	1,2a,2b,3a,3b	23.3
D8025X48BPLBx	●	48	30~60	0.058	2.78	3600	1.24	43.9	4.79	0.19	1,2a,2b,3a,3b	36.8
D8025X48SPLPx	○	48	30~60	0.058	2.78	3600	1.24	43.9	4.79	0.19	1,2a,2b,3a,3b	36.8
D8025H48BPLBx	●	48	30~60	0.032	1.52	3000	1.03	36.2	3.35	0.13	1,2a,2b,3a,3b	31.3
D8025H48SPLPx	○	48	30~60	0.032	1.52	3000	1.03	36.2	3.35	0.13	1,2a,2b,3a,3b	31.3
D8025M48BPLBx	●	48	30~60	0.025	1.22	2600	0.88	31.2	2.48	0.10	1,2a,2b,3a,3b	26.9
D8025M48SPLPx	○	48	30~60	0.025	1.22	2600	0.88	31.2	2.48	0.10	1,2a,2b,3a,3b	26.9
D8025L48BPLBx	●	48	30~60	0.017	0.82	2200	0.75	26.6	1.85	0.07	1,2a,2b,3a,3b	23.3
D8025L48SPLPx	○	48	30~60	0.017	0.82	2200	0.75	26.6	1.85	0.07	1,2a,2b,3a,3b	23.3

* Features: 1=AS - Auto-Start (standard), 2a=FG - Tachometer, 2b=RD - Rotation Detection, 3a=S/G - Stop & Go, 3b=S/G - Stop & Go and PPWM

When ordering a part number, substitute suffix x with required feature (Ex: D8025H12BPLPx with feature 1 = D8025H12BPLP1. Ex: D8025H12BPLPx with feature 2a = D8025H12BPLP2a)

Performance Curves	Electrical Specifications	
	Dielectric Strength: 500VAC (1mA/1min) or 600VAC (2 sec)	Frame to lead wires
	Insulation Resistance: >10MΩ	At 500VDC between frame and (+/-) lead wires
	Motor: Brushless DC with permanent magnet	
	Tolerances: +/-10% on rated current and speed	Power consumption of sleeve bearing may be up to 10% higher than ball bearing.
	Mechanical Specifications	
	Airflow Direction: Air over struts	
	Frame: Thermoplastic PBT (GF 30%), Class UL94V-0	
	Impeller: Thermoplastic PBT (GF 15%), Class UL94V-0	
	Lead Wires (L): UL1007, 24AWG/260mm; Red(+); Black (-)	
	Weight: 83.2g (2.93oz)	
	Rotation: Counterclockwise viewed from impeller	
	Life Expectancy: Ball: 50,000 hrs. @25°C T _a (Sleeve: 30,000 hrs. @25°C T _a)	
	Environmental Specifications	
	Operating Temperature: -10 to +70°C	At 35-85% relative humidity
	Storage Temperature: -40 to +80°C	At 35-85% relative humidity
	Acoustical: Anechoic chamber at free air.	Measured at 1 meter from the fan and perpendicular to the direction of the airflow.
	Optional Features	
	1 Auto-Start (AS) - standard	Protects fan if obstructed by an external object.
	2a Tachometer (FG)	No Wire
	2b Rotation Detection (RD)	Yellow Wire
	3a Stop & Go (S/G)	Detects whether fan is running or has stopped.
		Grey Wire
		Starts and stops fan via an external logic signal without the need of a power switch.
		Blue Wire
	3b Stop & Go and external PWM input PPWM (S/G)	Controls the fan speed via a square wave signal of different frequencies or by applying signal of fixed freq. and different pulse widths.
		Blue Wire

Specifications subject to change without notice.