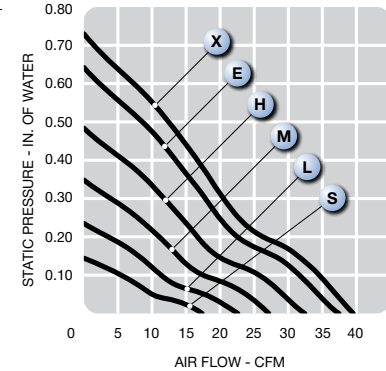
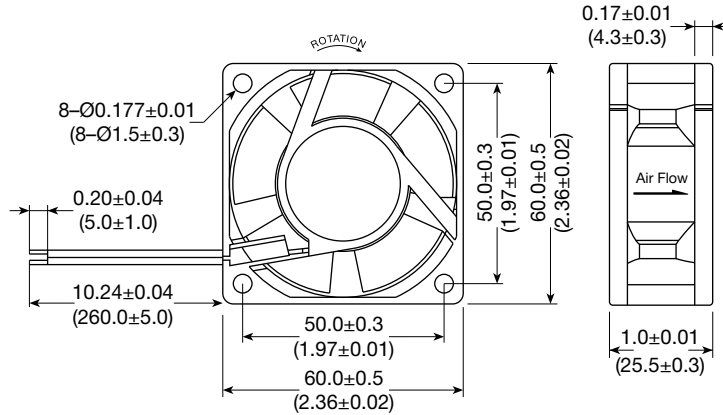


MR6025 series



(60 x 60 x 25 mm)

2.36 x 2.36 x 0.98 inches

Features: soft start, polarity protection, auto-restart

Operating Voltage: 12 or 24 VDC

Construction: UL94V-0 plastic impeller and frame

Bearing option: ball bearing or sleeve

Air Flow: air exhaust over struts

Options: tachometer output or locked rotor alarm signal; PWM speed control

| Model No. | Rated Voltage VDC | Current A | | Speed RPM | Air Volume | | Max. Static Pressure (H ₂ O) | | Sound Noise dBa | Weight g |
|-----------|----------------------|-----------|------|--------------|----------------------|-------|---|------|--------------------|-------------|
| | | 12 | 24 | | M ³ /Min. | CFM | MM | INCH | | |
| MR6025S | 12/24 | 0.09 | 0.05 | 3,500 | 0.48 | 17.07 | 3.55 | 0.14 | 31 | 55 |
| MR6025L | 12/24 | 0.15 | 0.05 | 4,500 | 0.62 | 21.94 | 5.87 | 0.23 | 35 | 55 |
| MR6025M | 12/24 | 0.21 | 0.11 | 5,500 | 0.76 | 26.82 | 8.77 | 0.35 | 40 | 55 |
| MR6025H | 12/24 | 0.32 | 0.14 | 6,500 | 0.90 | 31.70 | 12.25 | 0.48 | 46 | 55 |
| MR6025E | 12/24 | 0.31 | 0.16 | 7,500 | 1.04 | 36.58 | 16.31 | 0.64 | 50 | 55 |
| MR6025X | 12/24 | 0.36 | 0.18 | 8,000 | 1.10 | 39.02 | 18.56 | 0.73 | 51 | 55 |