

ebmpapst

engineering a better life

*Experience the future
of fan technology with **AxiForce***

The new tubeaxial fan series AxiForce.





Impressive overall package. *Compact on the outside, powerful on the inside.*

The new AxiForce series sets the benchmark in air performance and noise thanks to a host of aerodynamic improvements and the use of the latest efficient motor technology.



Steep power curve for high performance; efficiency increase of up to 18%



Powerful electronics



Noise advantage up to 6 dB (A) with size 80, for example



Full flexibility with speed, PWM and voltage signal plus temperature sensor and various alarms



Robust versions with salt spray protection, protection class up to IP68 and ATEX certification

Efficient and quiet: *The new AxiForce series.*



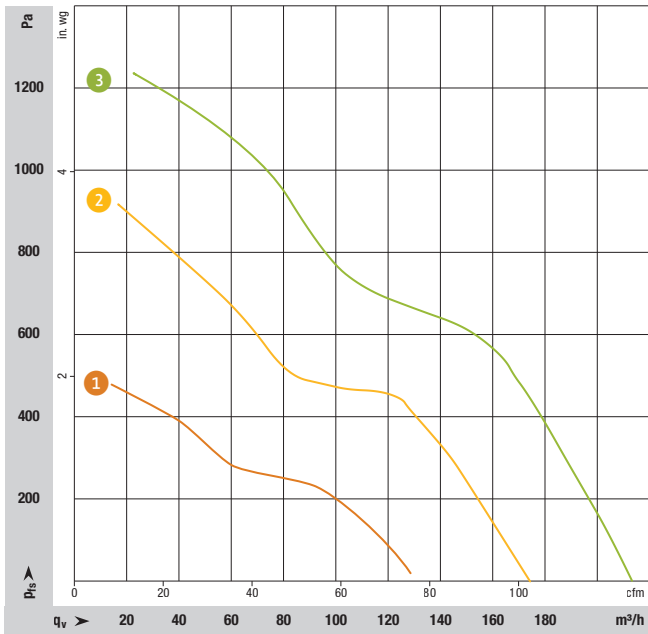
With the new AxiForce series, ebm-papst continues its role as an innovation leader, developing technologies that are essential for a modern and connected future. The brain of a complete production line, complex system or mobile network infrastructure is often installed in industrial control cabinets. It almost always contains sensitive electronic and electrical components that have to be consistently and effectively protected from dangerous environmental factors, such as severe temperature fluctuations, for the safe and error-free operation of a whole host of industry applications.

With the new AxiForce series, ebm-papst has developed a compact fan series that provides continuous, uniform and reliable cooling for control units in automation technology and other state-of-the-art technologies, such as 5G power modules – and with more power and less noise than ever before.

Due to its variable installation, high cooling capacity in the smallest of spaces and interactive integration into the device logic, it is already indispensable in modern automation.

The space saving specialist:
AxiForce size 80





Description:

- + Newly developed flow geometry
- + New 3-phase motor concept
- + Powerful electronics
- + Airflow direction: exhaust over struts
- + Direction of rotation: counterclockwise viewed toward rotor
- + Housing material: plastic (PBT)
- + Fan impeller material: plastic (PA)
- + Tacho output
- + PWM control input

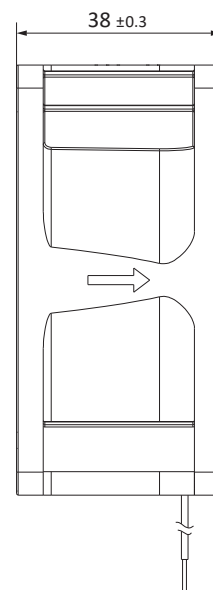
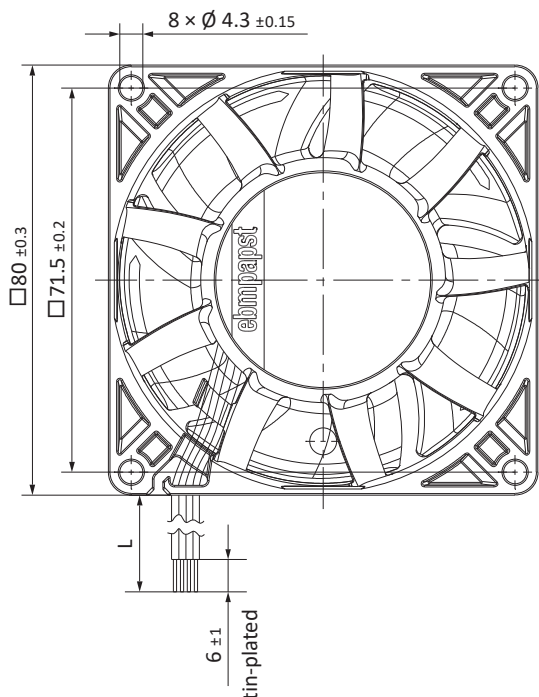
Optional:

- + Go / NoGo alarm
- + Alarm with speed limit
- + Temperature sensor for speed control
- + Analog control input
- + Salt spray resistance
- + Protection class up to IP68
- + EMC Class B
- + ATEX certified - EN 60079-7, Group IIC, T4

Nominal data

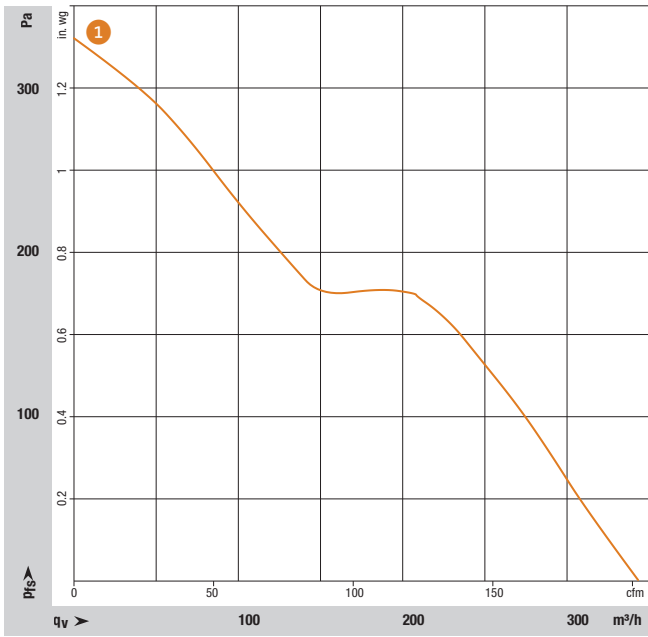
Type	Material no.	Air flow* m³/h	Air flow* cfm	Nominal voltage V DC	Voltage range V DC	Sound pressure dB(A)	Sound power Bel (A)	Sintered sliding bearing Ball bearings	Power consumption* Watts	Max. power consumption Watts	Nominal speed rpm	Temperature range °C	Ground kg	Curve
VWCF080KHFKS	8315100320	132	78	12	8...16	62	7.2	■	12	25	10,000	-20...+75	0.2	①
VWCF080KJFKS	8315100321	132	78	24	16...32	62	7.2	■	12	25	10,000	-20...+75	0.2	①
VWCF080KKFKS	8315100322	132	78	48	36...60	62	7.2	■	12	25	10,000	-20...+75	0.2	①
VWCF080KHFLS	8315100136	175	103	12	8...16	71	7.7	■	26	63	13,200	-20...+75	0.2	②
VWCF080KJFLS	8315100137	175	103	24	16...32	71	7.7	■	25	62	13,200	-20...+75	0.2	②
VWCF080KKFLS	8315100138	175	103	48	36...60	71	7.7	■	24	61	13,200	-20...+75	0.2	②
VWCF080KHFM5	8315100130	215	126.5	12	8...16	76	8.3	■	46	98	16,500	-20...+75	0.2	③
VWCF080KJFM5	8315100134	215	126.5	24	16...32	76	8.3	■	44	96	16,500	-20...+75	0.2	③
VWCF080KKFM5	8315100135	215	126.5	48	36...60	76	8.3	■	42	94	16,500	-20...+75	0.2	③

All dimensions in mm. Data sheets available on request. Subject to technical changes.
*in free air operation.



The noise specialist:
AxiForce size 120





Description:

- + Newly developed flow geometry
- + New 1-phase motor concept
- + Powerful electronics
- + Airflow direction: exhaust over struts
- + Direction of rotation: counterclockwise viewed toward rotor
- + Housing material: plastic (PBT)
- + Fan impeller material: plastic (PA)
- + Tacho output
- + PWM control input

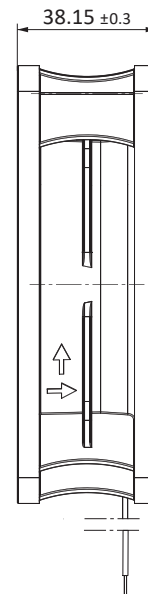
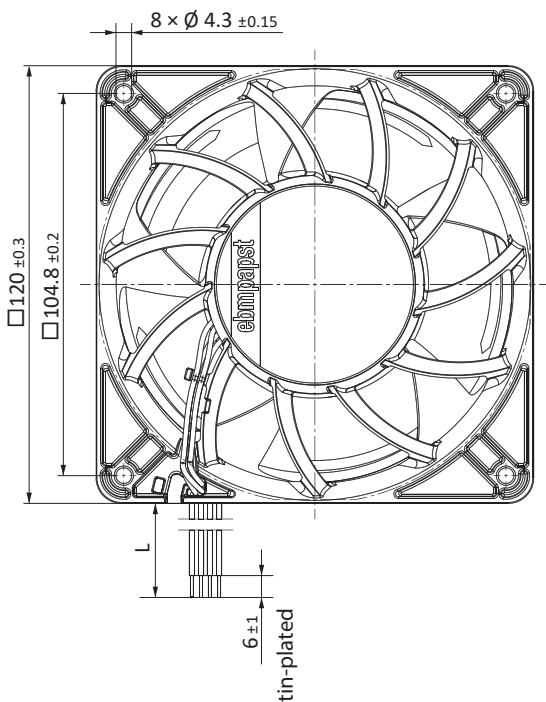
Optional:

- + Go / NoGo alarm
- + Alarm with speed limit
- + Temperature sensor for speed control
- + Analog control input
- + Salt spray resistance
- + Protection class up to IP68
- + EMC Class B
- + ATEX certified - EN 60079-7, Group IIC, T4

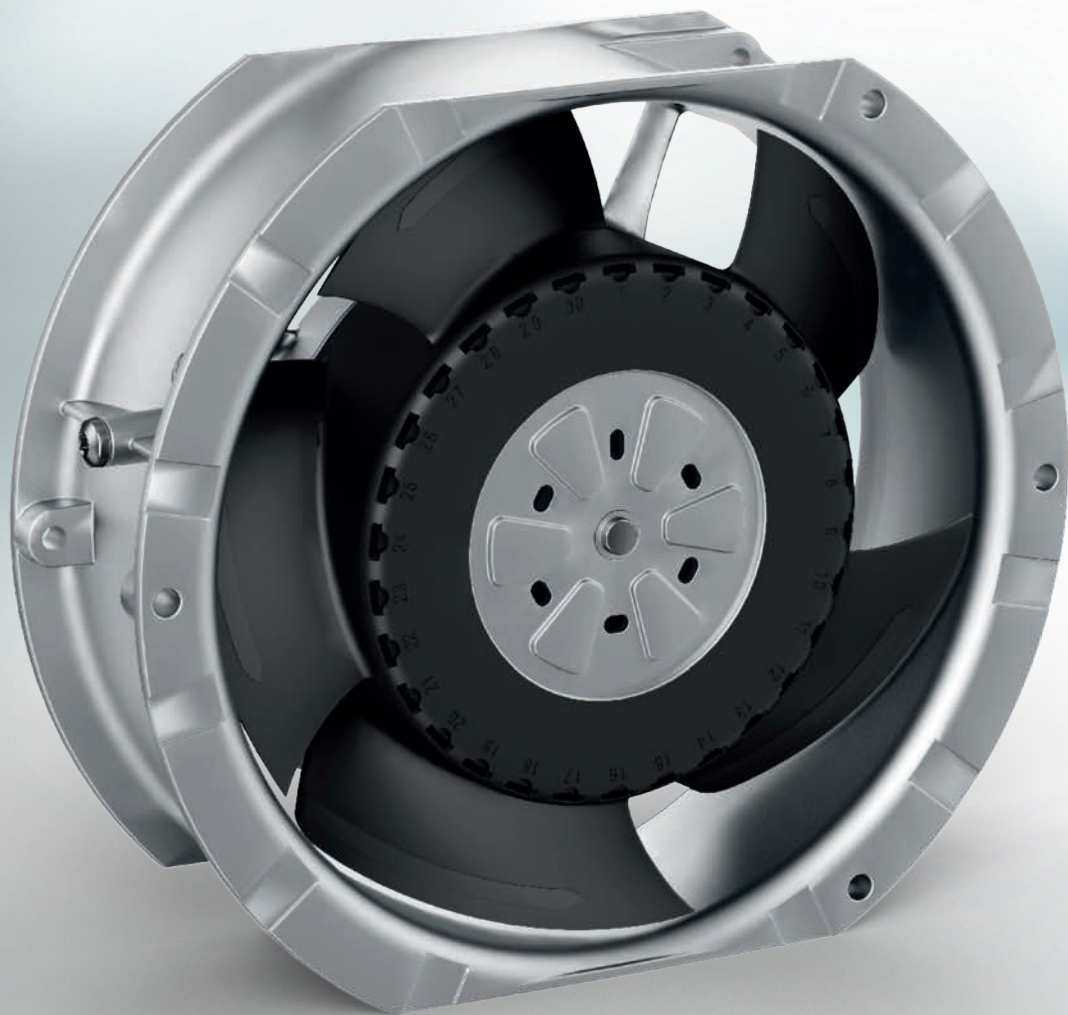
Nominal data

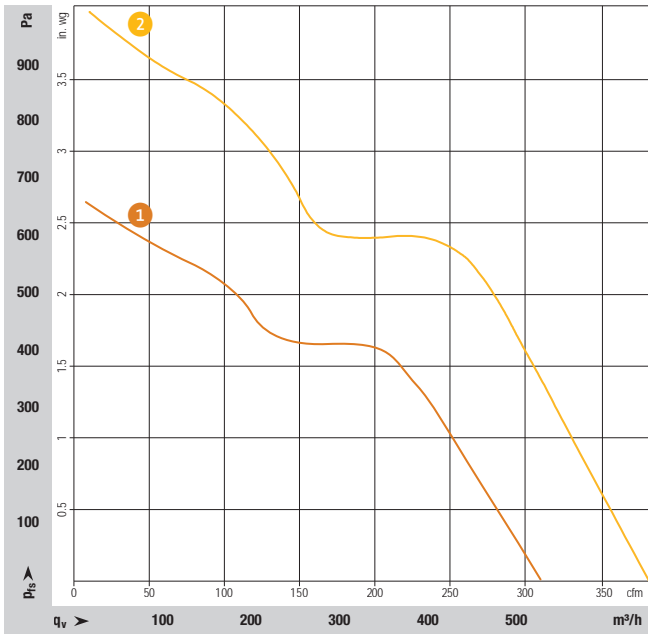
Type	Material no.	Air flow* m³/h	Air flow* cfm	Nominal voltage V DC	Voltage range V DC	Sound pressure dB(A)	Sound power Bel (A)	Sintered sliding bearing Ball bearings	Power consumption* Watts	Max. power consumption Watts	Nominal speed rpm	Temperature range °C	Ground kg	Curve
VWCF120KHJPS	8315100143	345	203	12	10.8...13.2	59	7.0	■	30	35	6,500	-20...+70	0.3	①
VWCF120KJJPS	8315100142	345	203	24	16...32	59	7.0	■	30	35	6,500	-20...+70	0.3	①
VWCF120KKJPS	8315100144	345	203	48	36...60	59	7.0	■	30	35	6,500	-20...+70	0.3	①

All dimensions in mm. Data sheets available on request. Subject to technical changes.
*in free air operation.



The pressure specialist:
AxiForce size 172





Description:

- + Newly developed flow geometry
- + New 3-phase motor concept
- + Powerful electronics
- + Airflow direction: exhaust over struts
- + Direction of rotation: counterclockwise viewed toward rotor
- + Housing material: aluminum
- + Fan impeller material: plastic (PA)
- + Tacho output
- + PWM control input

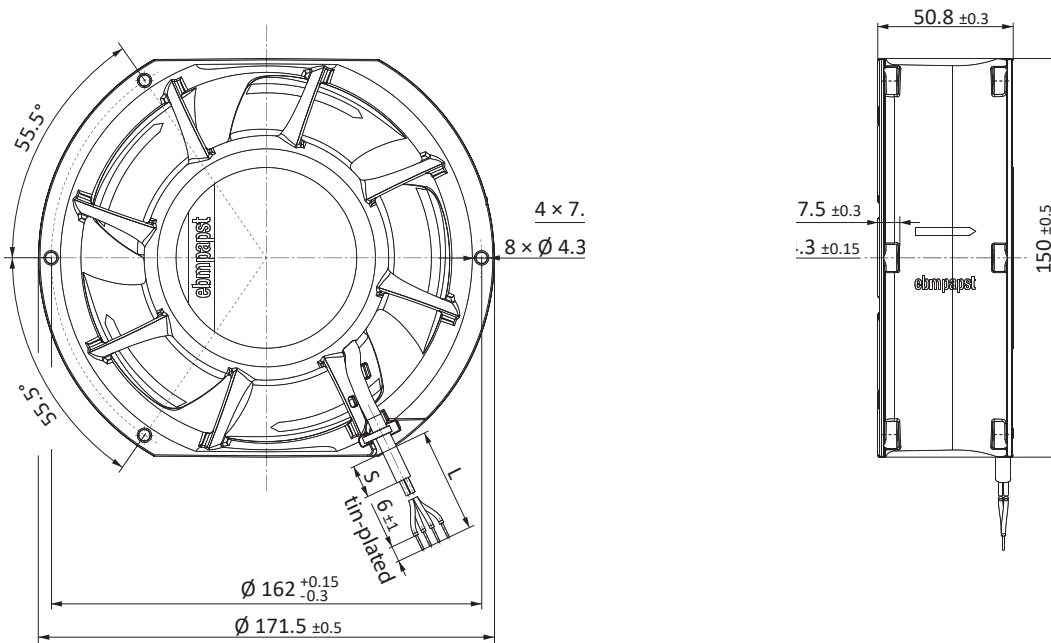
Optional:


- + Go / NoGo alarm
- + Alarm with speed limit
- + Temperature sensor for speed control
- + Analog control input
- + Salt spray resistance
- + Protection class up to IP68
- + ATEX certified - EN 60079-7, Group IIC, T4

Nominal data

Type	Material no.	Air flow* m³/h	Air flow* cfm	Nominal voltage V DC	Voltage range V DC	Sound pressure dB(A)	Sound power Bel (A)	Sintered sliding bearing Ball bearings	Power consumption* Watts	Max. power consumption Watts	Nominal speed rpm	Temperature range °C	Ground kg	Curve
VWLG150KJLRS	8315100157	530	311	24	16...30	71	7.7	■	58	100	6,800	-20...+70	0.9	①
VWLG150KKLSS	8315100059	650	382	48	36...72	70	8.1	■	98	170	8,300	-20...+70	0.9	②

All dimensions in mm. Data sheets available on request. Subject to technical changes.
*in free air operation.





**What *Engineering*
a better life means
to us.**

Who we are.

With over 20,000 different products, ebm-papst offers the right solution for just about any challenge. As the logical next stage in the development of our highly-efficient GreenTech EC technology, we believe that industrial digitization offers the greatest future prospects for our customers. With GreenIntelligence, we already represent intelligently interconnected complete solutions that are unrivaled worldwide.

Because we are always committed to making each of our innovative hardware and software solutions more powerful, compact, efficient and sustainable than its predecessor, we have evolved over the years into the global technology leader for ventilation and drive technology.

What drives us.

But our consistent pursuit of efficiency and progress has even deeper roots. After all, there is something that excites us even more than our market position. It is the deep awareness that, with our solutions, like the new **AxiForce series**, we are making the lives of many people around the globe more pleasant, safer and thus better. Therefore, the central driving force in all our thoughts and actions is Engineering a better life. It is the reason why it is worthwhile for us to get up every day and do our best.

More about this under ebmpapst.com/betterlife

What you get out of it.

- 1. Technological edge.**
With our EC technology and GreenIntelligence, we combine the highest energy efficiency with the advantages of IoT and digital networking.
- 2. Our sustainable approach.**
We take our responsibility seriously with energy-saving products, environmentally-friendly processes and through social engagement.
- 3. System expertise.**
As experts in advanced motor technology, electronics and aerodynamics, we provide perfect system solutions from a single source.
- 4. The ebm-papst spirit of invention.**
Over 800 engineers and technicians will develop a solution that precisely fits your needs.
- 5. Personal proximity to you.**
Thanks to numerous sales locations worldwide.
- 6. Our standard of quality.**
Our quality management is uncompromising, at every step and in every process.



Would you like more information? No problem:

If you have any questions about the new AxiForce series
please contact sales@us.ebmpapst.com

www.ebmpapst.com

ebmpapst

engineering a better life

ebm-papst Inc. North America

USA

100 Hyde Road
Farmington, CT 06034
Phone + 1 860-674-1515
Fax + 1 860-674-8536
sales@us.ebmpapst.com