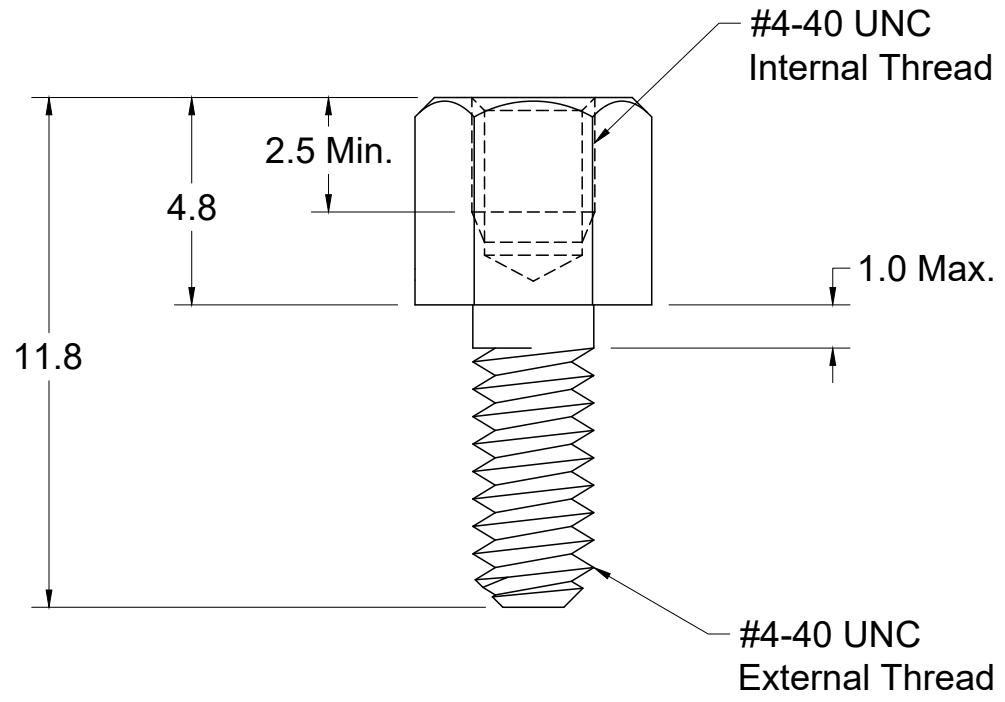


Material: Brass  
Finish: Nickel



Tolerances

X.X ± 0.25  
X.XX ± 0.15  
Unless Stated  
Otherwise

**RoHS COMPLIANT**

REV.	DATE	DESCRIPTION	REV. BY	CHK. BY	DRAWN BY	DATE
A1	4/20/05	New Drawing	H. MA	C. Furumasu	H. MA	4/20/05
A2	10/30/06	ECO #06-049	R. Aguirre	H. MA		
A3	03/04/08	ECO #08-009	R. Aguirre	H. MA		
A4	06/19/13	ECO #13-037	W. Cook	P. DalCanto		
A5	06/11/18	ECO #18-028	G. Serrato	D. Shehan		
B0	08/16/21	ECO #21-014	C. Kelleher	C. Furumasu		

**JSX-1000**

Hex. Jack Screw

#4-40 UNC, RoHS compliant

