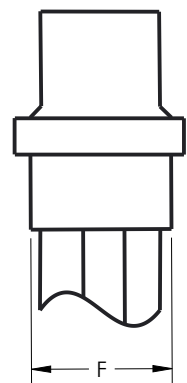
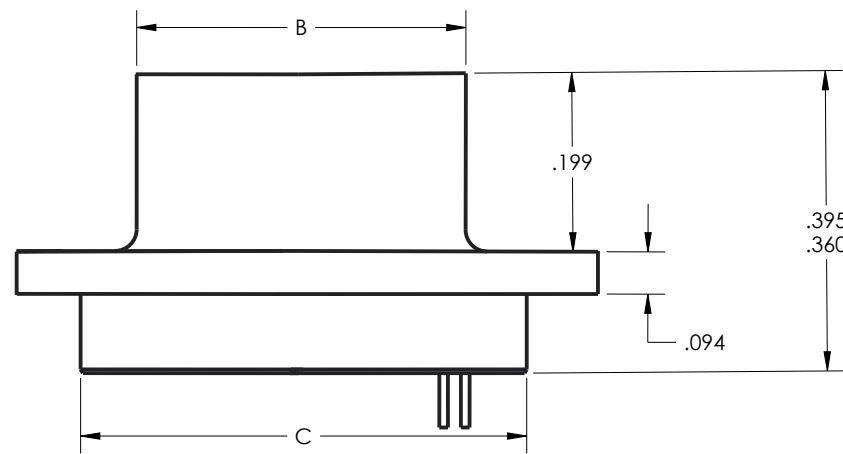
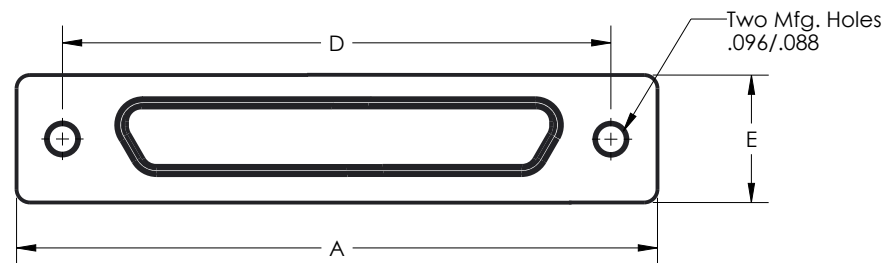
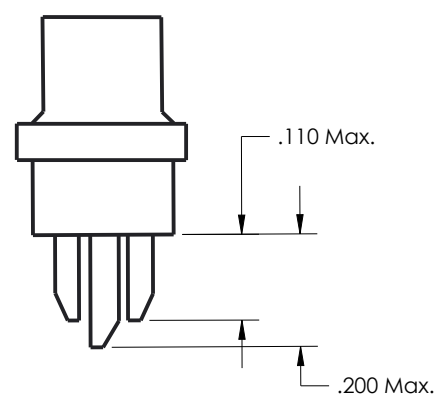


Plug

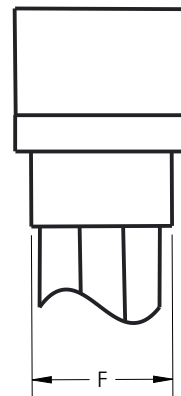
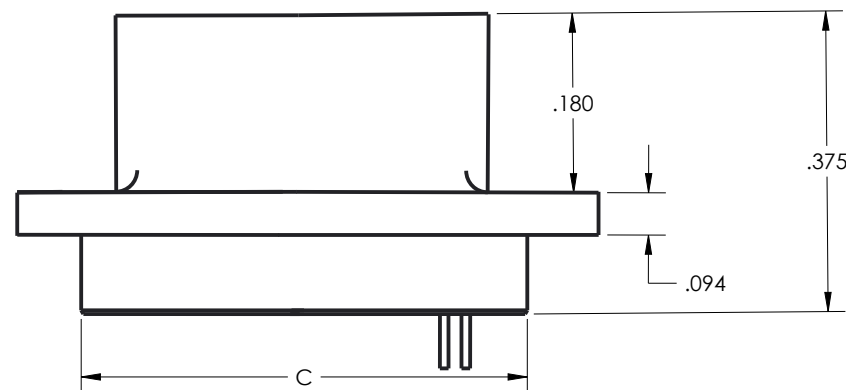
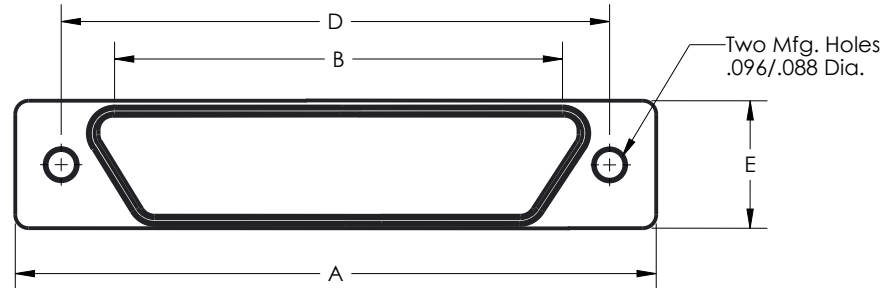


Wire Terminated

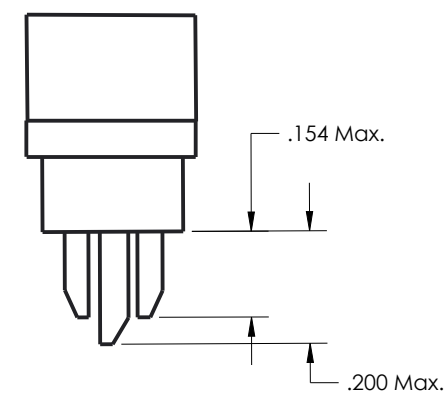


Solder Cup

Socket



Wire Terminated



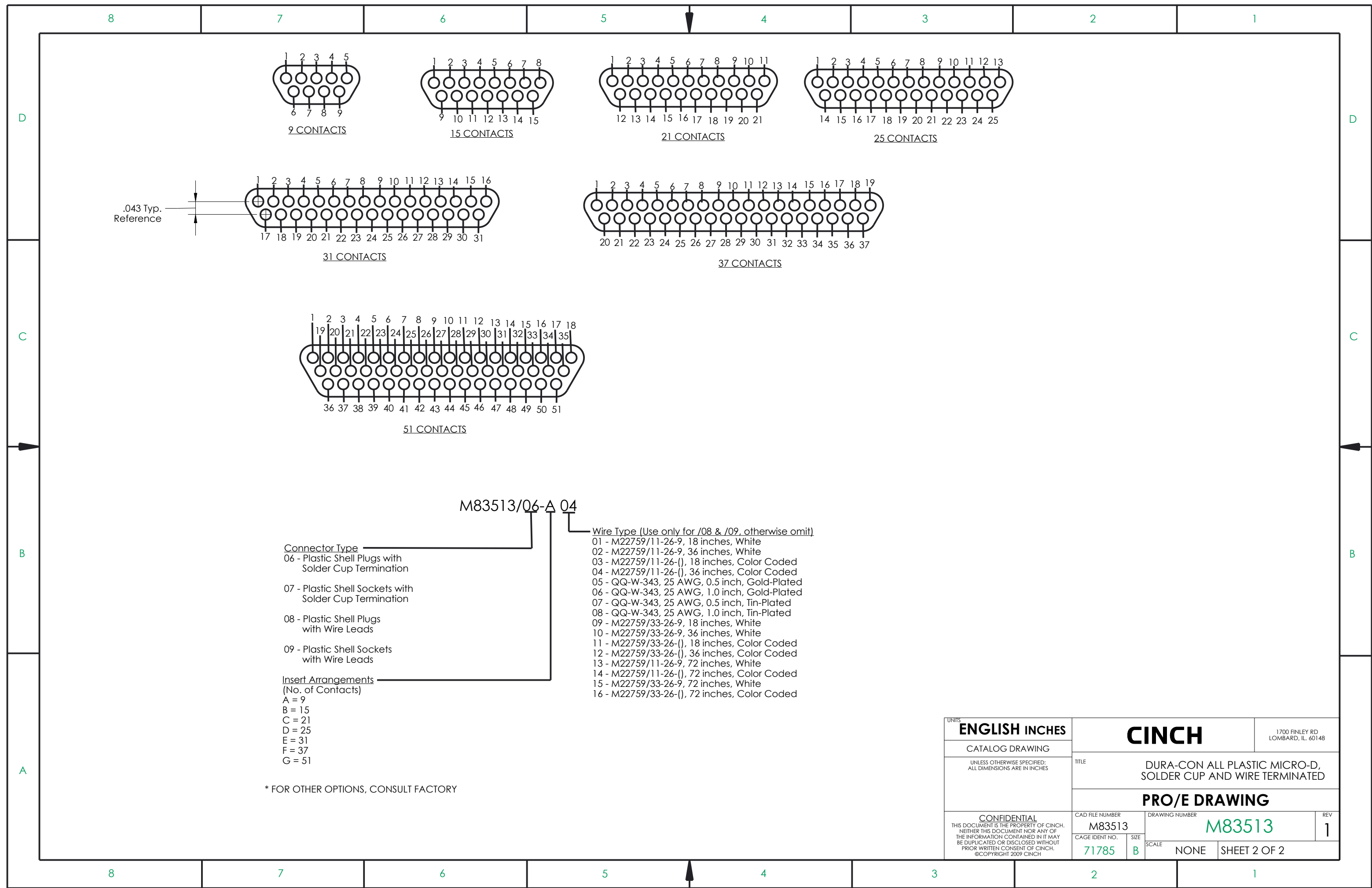
Solder Cup

DRAWING REVISIONS (RELEASE DATE ON FILE)

REV	DOCUMENT	APP	APPROVAL DATE
1	CCSXXXXX	JW	ON FILE

NO. OF CONTACTS	A ± .010"	B MAX. (Plug) Min. (Socket)	C ±.010" Min. -.018"	D ±.005"	E ± .010"	F Max.
9 Plug	.778	.2918	.398	.565	.208	.173
9 Socket	.778	.2922	.398	.565	.208	.173
15 Plug	.928	.4418	.548	.715	.208	.173
15 Socket	.928	.4422	.548	.715	.208	.173
21 Plug	1.078	.5918	.698	.865	.208	.173
21 Socket	1.078	.5922	.698	.865	.208	.173
25 Plug	1.178	.6918	.798	.965	.208	.173
25 Socket	1.178	.6922	.798	.965	.208	.173
31 Plug	1.328	.8418	.948	1.115	.208	.173
31 Socket	1.328	.8422	.948	1.115	.208	.173
37 Plug	1.478	.9918	1.098	1.265	.208	.173
37 Socket	1.478	.9922	1.098	1.265	.208	.173
51 Plug	1.428	.9418	1.048	1.215	.250	.220
51 Socket	1.428	.9422	1.048	1.215	.250	.220

UNITS ENGLISH INCHES	DESIGN ENGINEER J. WARRAICH	DATE 3/14/22	TITLE DURA-CON ALL PLASTIC MICRO-D, SOLDER CUP AND WIRE TERMINATED
CATALOG DRAWING UNLESS OTHERWISE SPECIFIED: ALL DIMENSIONS ARE IN INCHES		PRO/E APPROVALS ON FILE	CINCH 1700 FINLEY RD LOMBARD, IL. 60148 CONTROL SPEC NUMBER PROJECT NUMBER CAD FILE NUMBER M83513 CAGE IDENT NO. 71785 SIZE B SCALE NONE SHEET 1 OF 2 M83513



9 CONTACTS

15 CONTACTS

21 CONTACTS

25 CONTACTS

31 CONTACTS

37 CONTACTS

51 CONTACTS

.043 Typ.
Reference

M83513/06-A 04

- Connector Type**
- 06 - Plastic Shell Plugs with Solder Cup Termination
 - 07 - Plastic Shell Sockets with Solder Cup Termination
 - 08 - Plastic Shell Plugs with Wire Leads
 - 09 - Plastic Shell Sockets with Wire Leads

- Insert Arrangements**
(No. of Contacts)
- A = 9
 - B = 15
 - C = 21
 - D = 25
 - E = 31
 - F = 37
 - G = 51

- Wire Type (Use only for /08 & /09, otherwise omit)**
- 01 - M22759/11-26-9, 18 inches, White
 - 02 - M22759/11-26-9, 36 inches, White
 - 03 - M22759/11-26-(), 18 inches, Color Coded
 - 04 - M22759/11-26-(), 36 inches, Color Coded
 - 05 - QQ-W-343, 25 AWG, 0.5 inch, Gold-Plated
 - 06 - QQ-W-343, 25 AWG, 1.0 inch, Gold-Plated
 - 07 - QQ-W-343, 25 AWG, 0.5 inch, Tin-Plated
 - 08 - QQ-W-343, 25 AWG, 1.0 inch, Tin-Plated
 - 09 - M22759/33-26-9, 18 inches, White
 - 10 - M22759/33-26-9, 36 inches, White
 - 11 - M22759/33-26-(), 18 inches, Color Coded
 - 12 - M22759/33-26-(), 36 inches, Color Coded
 - 13 - M22759/11-26-9, 72 inches, White
 - 14 - M22759/11-26-(), 72 inches, Color Coded
 - 15 - M22759/33-26-9, 72 inches, White
 - 16 - M22759/33-26-(), 72 inches, Color Coded

* FOR OTHER OPTIONS, CONSULT FACTORY

UNITS ENGLISH INCHES		CINCH		1700 FINLEY RD LOMBARD, IL. 60148	
CATALOG DRAWING		TITLE DURA-CON ALL PLASTIC MICRO-D, SOLDER CUP AND WIRE TERMINATED			
UNLESS OTHERWISE SPECIFIED: ALL DIMENSIONS ARE IN INCHES		PRO/E DRAWING			
CONFIDENTIAL THIS DOCUMENT IS THE PROPERTY OF CINCH. NEITHER THIS DOCUMENT NOR ANY OF THE INFORMATION CONTAINED IN IT MAY BE DUPLICATED OR DISCLOSED WITHOUT PRIOR WRITTEN CONSENT OF CINCH. ©COPYRIGHT 2009 CINCH		CAD FILE NUMBER M83513	DRAWING NUMBER M83513	SCALE NONE	REV 1
CAGE IDENT NO. 71785	SIZE B	SHEET 2 OF 2			