

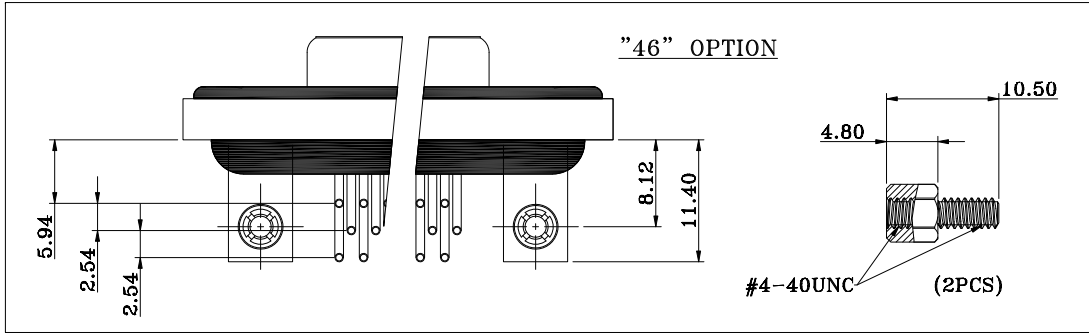
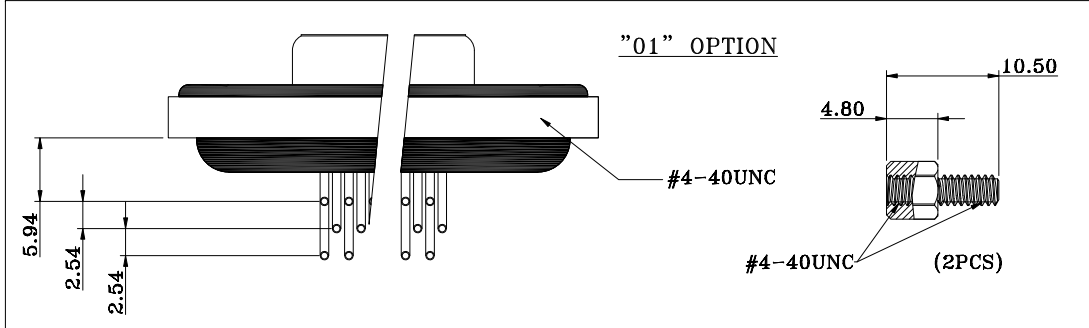
\*Ø0.65 AT CONTACT PCB TERMINATION LOCATION

DIMENSIONS(mm)			
SIZE	A	B	C
15	39.50	25.00	16.30
26	48.00	33.30	24.60
44	61.50	47.05	38.40
62	77.80	63.50	54.80

**NOTE:**

- MATERIAL**
- HOUSING: PBT UL94V-0, BLACK
  - FLANGE: PBT UL94V-0, BLACK
  - CONTACT: BRASS, PLATING P/N KEY BELOW
  - SHELL: STEEL, NICKEL
  - O-RING: SILICONE
  - SEALING COMPOUND: EPOXY
  - HARDWARE: BRASS; NICKEL PLATED

**HARDWARE OPTIONS**



**ELECTRICAL**

- RATED CURRENT: 3A
- VOLTAGE: 1000 VAC 1 MIN
- INSULATOR RESISTANCE: 5 Gohms MIN.
- CONTACT RESISTANCE: 10 mOhms MAX.
- WATER PROOF: IP67
- ENVIRONMENT OPERATION TEMPERATURE: -25°C TO +85°C

**HDF-RYY-213LYYY**

- SERIES** \_\_\_\_\_
- HDF = HD DSUB FLANGE
- CONTACT TYPE** \_\_\_\_\_
- R = RIGHT ANGLE PCB MOUNT
- POSITIONS** \_\_\_\_\_
- 15  
26  
44  
62
- GENDER** \_\_\_\_\_
- 2 = FEMALE
- HARDWARE OPTIONS** \_\_\_\_\_
- 01 = 4-40 THREADED INSERTS/4-40 JACKSCREWS  
46 = 4-40 THREADED BRACKETS & BOARD LOCKS/4-40 JACKSCREWS
- CONTACT PLATING OPTIONS** \_\_\_\_\_
- 1 = GOLD FLASH  
2 = 30u" GOLD PLATING

**RoHS COMPLIANT**

THESE DRAWINGS AND SPECIFICATIONS ARE THE PROPERTY OF NorComp AND SHALL NOT BE REPRODUCED, COPIED OR USED AS THE BASIS FOR THE MANUFACTURE OR SALE OF APPARATUS WITHOUT WRITTEN PERMISSION.

DRAWN: J. KADEL  
DATE: 03/02/2020

**TOLERANCES**  
X. ±0.40  
.X ±0.30  
.XX ±0.20  
.XXX ±0.10

UNITS = mm

**DO NOT SCALE FROM DRAWING**

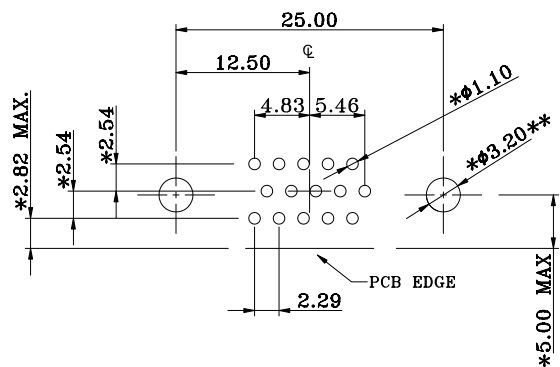


**NorComp**

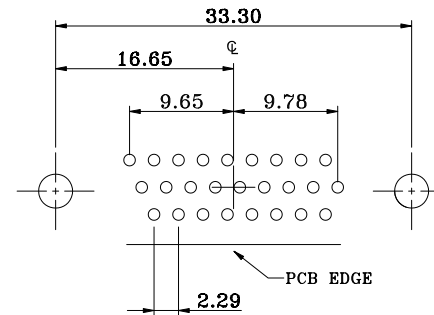
SCALE: NTS	SHEET 1 OF 2	REV 1
DWG NO. HDF-RYY-213LYYY		

**\*\*ø3.20MM HOLES NOT NEEDED FOR "01" HARDWARE OPTION**

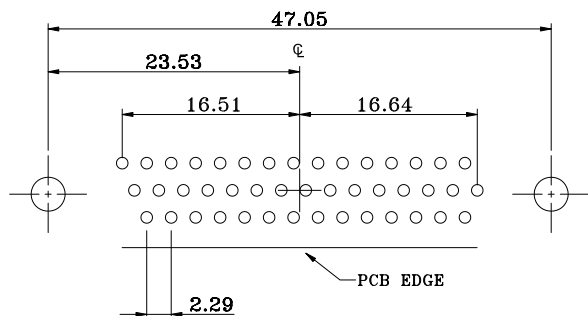
15 POSITION



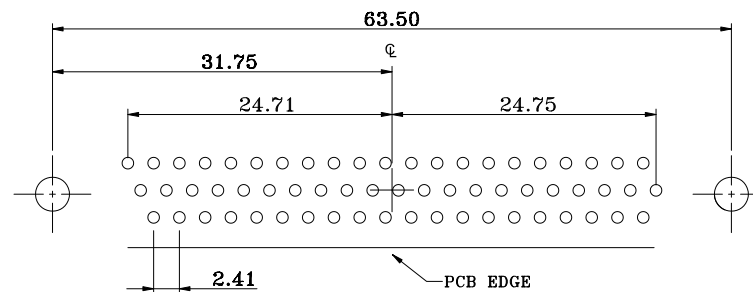
26 POSITION



44 POSITION



62 POSITION



RECOMMENDED PCB LAYOUT

\*TYPICAL // HOLE SIZE MAY NOT BE SUITABLE FOR YOUR SPECIFIC APPLICATION

RoHS COMPLIANT



THESE DRAWINGS AND SPECIFICATIONS ARE THE PROPERTY OF NorComp AND SHALL NOT BE REPRODUCED, COPIED OR USED AS THE BASIS FOR THE MANUFACTURE OR SALE OF APPARATUS WITHOUT WRITTEN PERMISSION.

DRAWN:

J. KADEL

DATE:

03/02/2020

TOLERANCES

X. ±0.40  
 .X ±0.30  
 .XX ±0.20  
 .XXX ±0.10

UNITS = mm

DO NOT SCALE FROM DRAWING

NorComp

SCALE:  
 NTS

SHEET OF  
 2 2

REV  
 1

DWG NO.

HDF-RYY-213LYYY