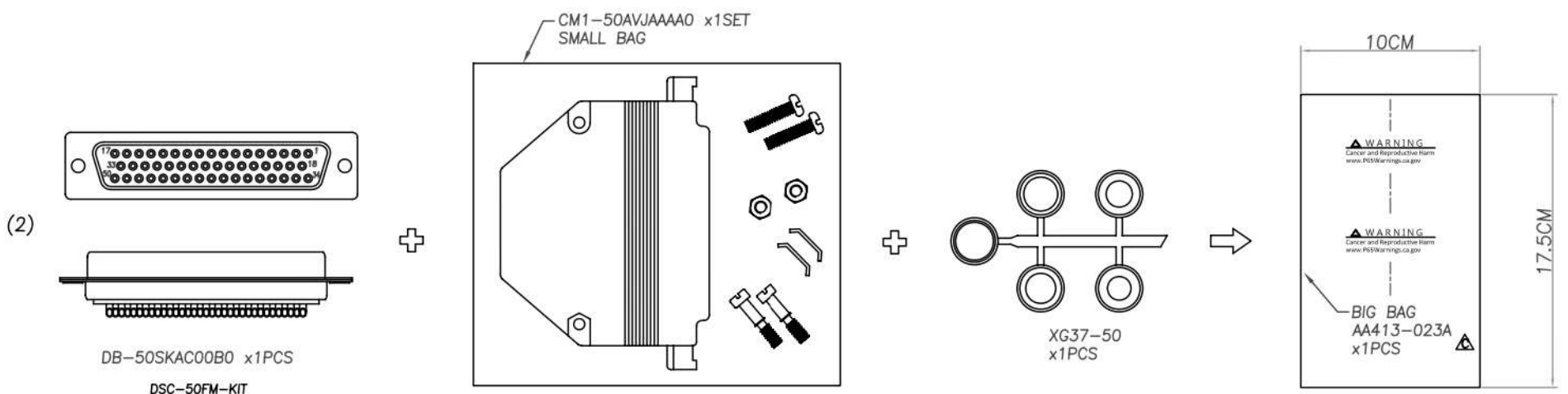
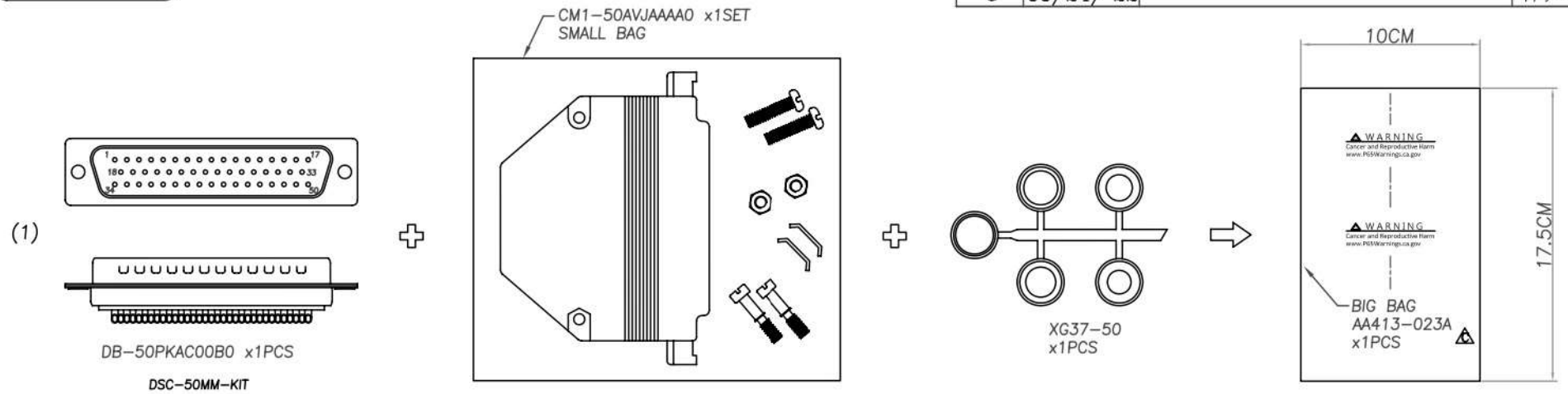


RoHS COMPLIANT

REV	DATE	DESCRIPTION
C	06/24/"22	Apply: Alberta



NO.	CC+ P/N	Internal P/N	ITEM P/N	DESCRIPTION	QTY	UNIT	PRODUCT PACKING
1	DSC-50MM-KIT	DB-50PKAC00GA	DB-50PKAC00B0	D-SUB 50PIN SOLDER TYPE MALE	1	PCS	BIG BAG:17.5*10*0.05CM
			CM1-50AVJAAAAO	D-SUB 50PIN METAL HOOD OD:16MM	1	SET	
			XG37-50	GROMET	1	PCS	
2	DSC-50FM-KIT	DB-50SKAC00GA	DB-50SKAC00B0	D-SUB 50PIN SOLDER TYPE FEMALE	1	PCS	BIG BAG:17.5*10*0.05CM
			CM1-50AVJAAAAO	D-SUB 50PIN METAL HOOD OD:16MM	1	SET	
			XG37-50	GROMET	1	PCS	

NOTE:
WARNING
 Cancer and Reproductive Harm
www.P65Warnings.ca.gov



MODEL NAME:
 Solder Type Shielded Metal Hood Kit

MARK EXPLAIN:
 ⚠:Revision Change
 1:Important Dimension
 ⓘ:Note

TOLERANCE:
 0.00:
 0.00 : ±0.20
 0.0 : ±0.30
 0. : ±0.40
 ANGLE: ±3.0°
 UNIT: mm

PART NO. DSC-50XM-KIT
 APPROVED BY: ALBERTA
 CHECKED BY: EDEA
 DRAW BY: ALAN
 FILE NO.FIG03217
 SCALE: 1/1
 DATE : 1080718