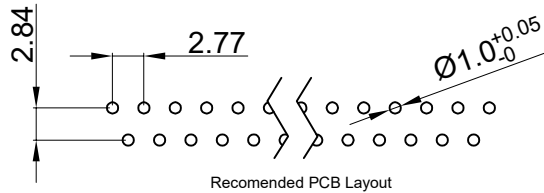
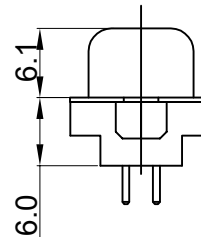
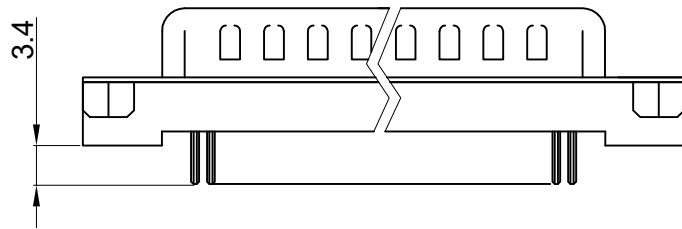
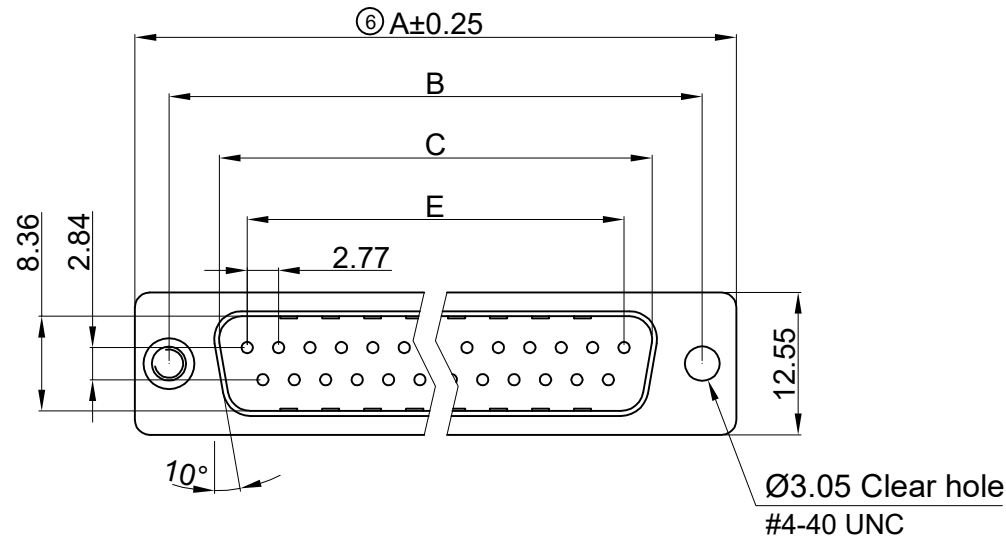


Male



③ SPECIFICATION

MATERIAL

Insulator : Glass-Filled Hi Thermoplastic Nylon 9T UL94V-0
 HT=material can stand 260°, for 5~10 second
 Contact : Copper alloy
 Front Shell : Steel, 60u" Nickel Over 50u" min Copper
 Clinch Nut: Brass, Nickel Plated.

CONTACT PLATING

Underplate: 50u" Nickel
 Contact Area: 1u" Selective Gold
 Solder Tails Area: 100u" Tin(Brighten Tin)

ELECTRICAL

Contact Resistance :20 milliohms Max at 1 AMP DC.
 Insulation Resistance :1000 Mohms at 500 VDC
 Dielectric Withstanding Voltage : 1000 VAC/rms 60Hz for 1 minute
 Current Rating : 3 AMP
 Volatge Rating :250 VAC/rms 60Hz

④ Operate temperature: -25°C~+105°C

⑨ Packing:Tray or Tape&Reel

③ Order Code:

A-Dx xx PP/LP-xx -x
 Contact style:
 F - Female
 S - Male
 Empty: Tray
 TR: Tape&Reel ⑨
 Empty: Dia 3.05mm clear hole
 T: 4-40 threaded hole ⑦
 No. of Contacts
 09 / 15 / 25 / 37
 Standard: Quality class III

⑥ ③ Dimensions

Positions	A	B	C	E
9	30.81	24.99	16.92	11.08
15	39.20	33.30	25.25	19.39
25	53.05	47.04	38.96	33.24
37	69.40	63.50	55.42	49.86

RoHS compliant
 Unit: mm

Scale	Free	⑨	Add A-DS xx PP/LP-T-TR	19.05.2022	Winnie	Date	Name
TOLERANCE		⑧	Add the packing information	06.05.2022	Peter	Drawn	31.08.2012 Winnie
X.	±0.38	⑦	Sheet 1 remove "T1" option, add sheet 5&6	26.09.2019	Carson	Approved	19.05.2022 Winnie
X.X	±0.25	⑥	Update	26.07.2018	Xavier		
X.XX	±0.13	⑤	Update	09.07.2018	Xavier		
ANGLE	±X°	④	Update	06.07.2018	Xavier		
X.	±3°						
X.X	±1.0°						
		Id.	Modification	Date	Name		

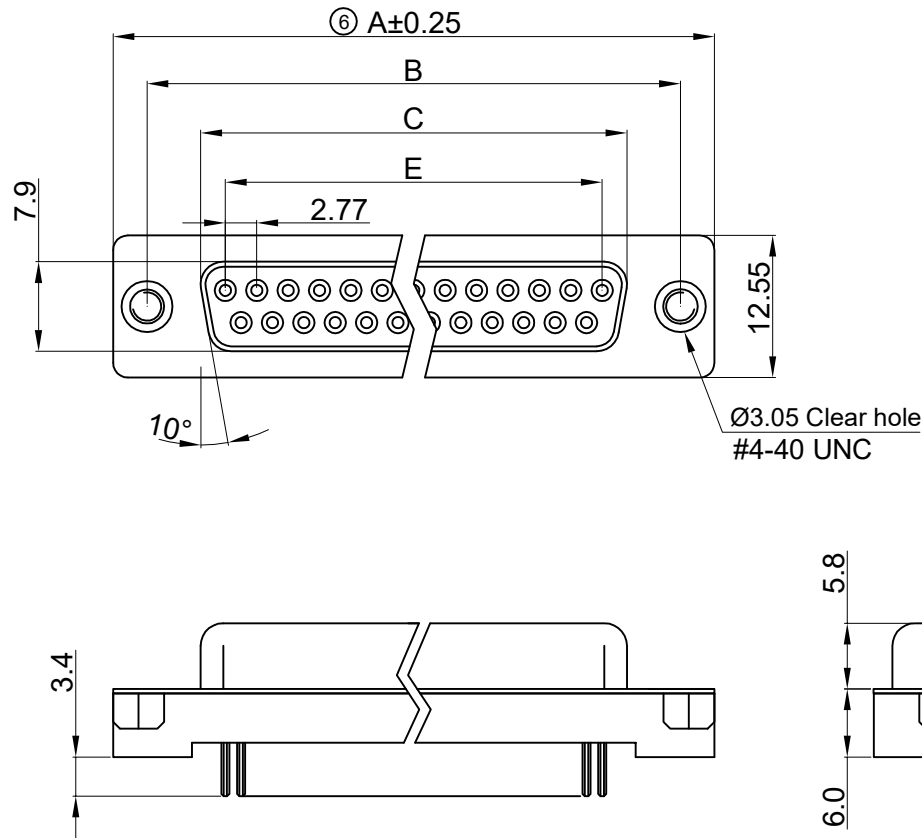
Description: D-Sub Connector
 Male 180° Angle

ASSMANN WSW-No.
③ A-DS xx PP/LPxx

Drawing-No. **ASS 4955 CO** rev09

Customer-No. Sheet 1/6

Female ③



SPECIFICATION

MATERIAL

Insulator : Glass-Filled Hi Thermoplastic Nylon 9T UL94V-0
 HT=material can stand 260°, for 5~10 second
 Contact : Copper alloy
 Front Shell : Steel, 60u" Nickel Over 50u" min Copper
 Clinch Nut: Brass, Nickel Plated.

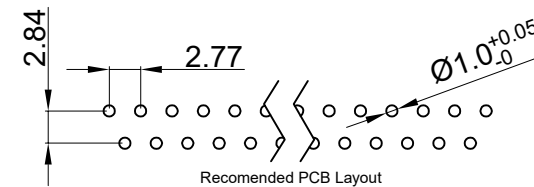
CONTACT PLATING

Underplate: 50u" Nickel
 Contact Area: 1u" Selective Gold
 Solder Tails Area: 100u" Tin(Brighten Tin)

ELECTRICAL

Contact Resistance :20 milliohms Max at 1 AMP DC.
 Insulation Resistance :1000 Mohms at 500 VDC
 Dielectric Withstanding Voltage : 1000 VAC/rms 60Hz for 1 minute
 Current Rating :3 AMP
 Volatge Rating :250 VAC/rms 60Hz

- ⑤ Operate temperature: -25°C~+105°C
- ④ Packing:Tray



⑥ Dimensions

Positions	A	B	C	E
9	30.81	24.99	16.33	11.08
15	39.20	33.30	24.70	19.39
25	53.05	47.04	38.40	33.24
37	69.40	63.50	54.80	49.86

RoHS compliant
 Unit: mm

Scale	Free	⑨	Add A-DSxx-GG-9U1-RR1 in page 7	19.05.2022	Winnie	Date	Name
TOLERANCE		⑧	Add the packing information	06.05.2022	Peter	Drawn	31.08.2012
X.	±0.38	⑦	Sheet 1 remove "T1" option, add sheet 5&6	26.09.2019	Carson	Approved	19.05.2022
X.X	±0.25	⑥	Update	26.07.2018	Xavier		
X.XX	±0.13	⑤	Update	09.07.2018	Xavier		
ANGLE	±X°	④	Update	06.07.2018	Xavier		
X.	±3°						
X.X	±1.0°						
		Id.	Modification	Date	Name		

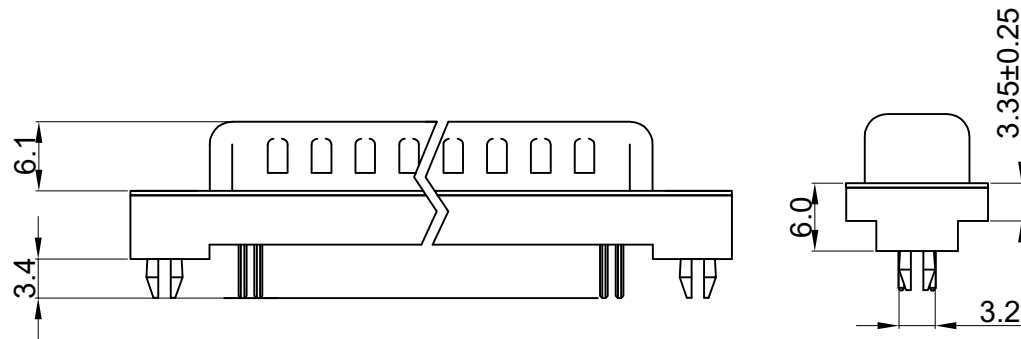
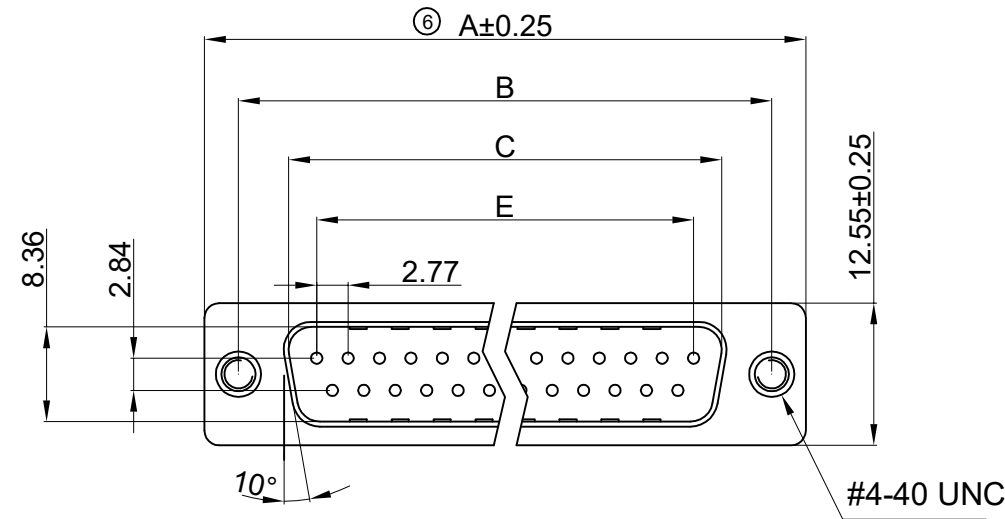
Description. D-Sub Connector
 Female 180° Angle

ASSMANN WSW-No.
A-DF xx PP/LPxx

Drawing-No. **ASS 4955 CO** rev09

Customer-No. Sheet 2/6

Male ^③



SPECIFICATION

MATERIAL

Insulator : Glass-Filled Hi Thermoplastic Nylon 9T UL94V-0
 HT=material can stand 260°, for 5~10 second
 Contact : Copper alloy
 Front Shell : Steel, 60u" Nickel Over 50u" min Copper
 Boardlock: Brass, Tin Plated.

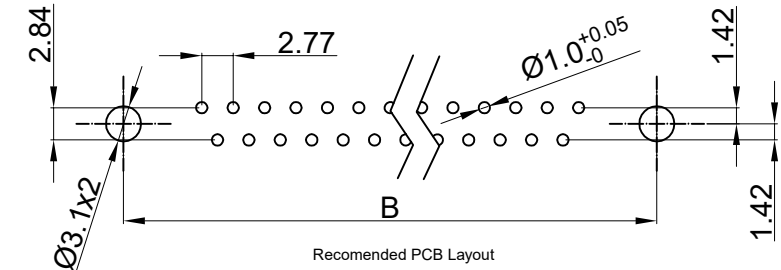
CONTACT PLATING

Underplate: 50u" Nickel
 Contact Area: 1u" Selective Gold
 Solder Tails Area: 100u" Tin(Brighten Tin)

ELECTRICAL

Contact Resistance :20 milliohms Max at 1 AMP DC.
 Insulation Resistance :1000 Mohms at 500 VDC
 Dielectric Withstanding Voltage : 1000 VAC/rms 60Hz for 1 minute
 Current Rating :3 AMP
 Volatge Rating :250 VAC/rms 60Hz

- ⑤ Operate temperature: -25°C~+105°C
- ④ Packing:Tray



⑥ Dimensions

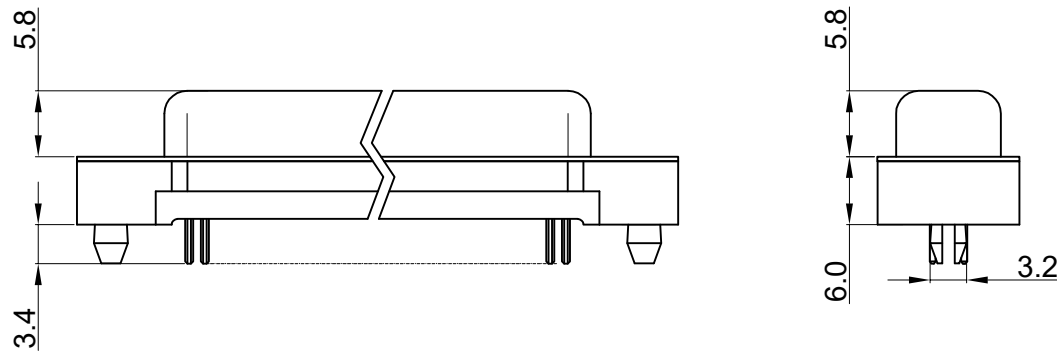
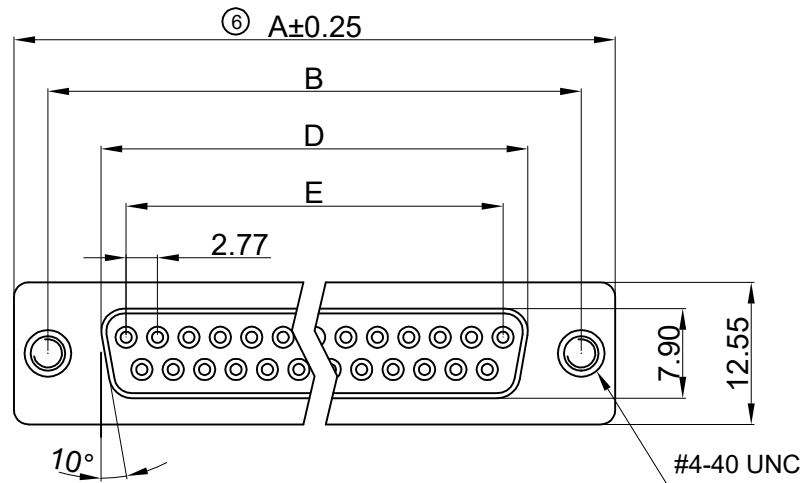
Positions	A	B	C	E
9	30.81	24.99	16.92	11.08
15	39.20	33.30	25.25	19.39
25	53.05	47.04	38.96	33.24
37	69.40	63.50	55.42	49.86

RoHS compliant
 Unit: mm

Scale	Free	⑨	Add A-DSxx-GG-9U1-RR1 in page 7	19.05.2022	Winnie	Date	Name
TOLERANCE		⑧	Add the packing information	06.05.2022	Peter	Drawn	31.08.2012
X.	±0.38	⑦	Sheet 1 remove "T1" option, add sheet 5&6	26.09.2019	Carson	Approved	19.05.2022
X.X	±0.25	⑥	Update	26.07.2018	Xavier		
X.XX	±0.13	⑤	Update	09.07.2018	Xavier		
ANGLE	±X°	④	Update	06.07.2018	Xavier		
X.	±3°						
X.X	±1.0°						
		Id.	Modification	Date	Name		

Description. D-Sub Connector Male 180° Angle	
ASSMANN WSW-No. A-DS xx PP/LP-T1	
Drawing-No.	ASS 4955 CO
Customer-No.	rev09
Sheet	3/6

Female ③



SPECIFICATION

MATERIAL

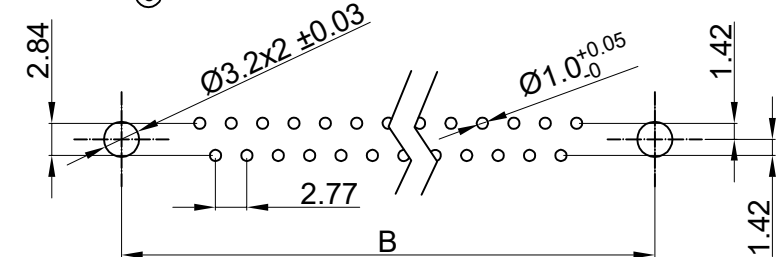
Insulator : Glass-Filled Hi Thermoplastic Nylon 9T UL94V-0
 HT=material can stand 260°, for 5~10 second
 Contact : Phosphor Bronze
 Front Shell : Steel, 80u" Nickel Over 50u" min Copper
 Boardlock: Brass, Tin Plated.

CONTACT PLATING

Underplate: 50u" Nickel
 Contact Area: 1u" Selective Gold
 Solder Tails Area: 100u" Tin(Brighten Tin)

ELECTRICAL

Contact Resistance :20 milliohms Max at 1 AMP DC.
 Insulation Resistance :1000 Mohms at 500 VDC
 Dielectric Withstanding Voltage : 1000 VAC/rms 60Hz for 1 minute
 Current Rating :3 AMP
 Volatge Rating :250 VAC/rms 60Hz
 Operate temperature: -25°C~+105°C
 ⑧ Packing:Tray



Recommended PCB Layout

Dimensions

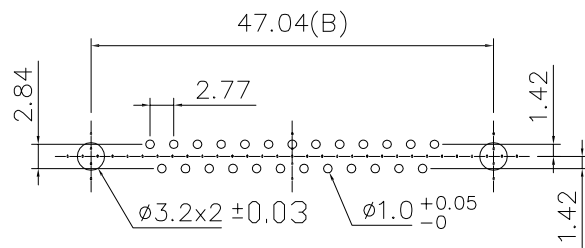
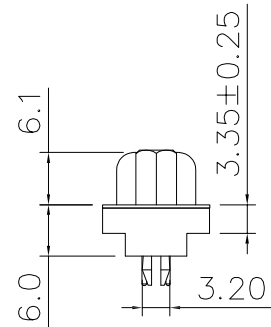
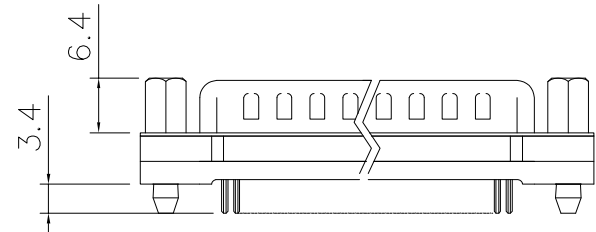
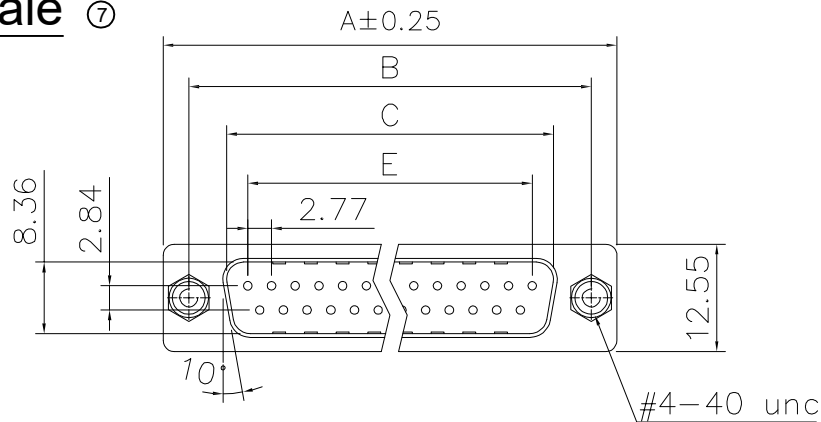
Positions	A	B	D	E
9	30.81	24.99	16.33	11.08
15	39.20	33.30	24.70	19.39
25	53.05	47.04	38.40	33.24
37	69.40	63.50	54.80	49.86

RoHS compliant
 Unit: mm

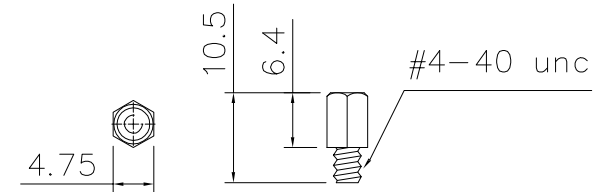
Scale	Free	⑨	Add A-DSxx-GG-9U1-RR1 in page 7	19.05.2022	Winnie	Date	Name
TOLERANCE		⑧	Add the packing information	06.05.2022	Peter	Drawn	31.08.2012
X.	±0.38	⑦	Sheet 1 remove "T1" option, add sheet 5&6	26.09.2019	Carson	Approved	19.05.2022
X.X	±0.25	⑥	Update	26.07.2018	Xavier		
X.XX	±0.13	⑤	Update	09.07.2018	Xavier		
ANGLE	±X°	④	Update	06.07.2018	Xavier		
X.	±3°						
X.X	±1.0°						
		Id.	Modification	Date	Name		

Description. D-Sub Connector Female 180° Angle	
ASSMANN WSW-No. A-DF xx PP/LP-T1	
Drawing-No.	ASS 4955 CO
Customer-No.	rev09
Sheet	4/6

Male ⑦



Recomended PCB Layout



#4-40 unc screwlock installed

Product Specification
Material
 Insulator : Glass-Filled Thermoplastic PA9T BLACK, UL94V-0
 Contact : Copper alloy
 Shell : Steel, 60u" Nickel Over 50u" min Copper
 Boardlock : Brass, Tin Plated.
 Screwlock :Steel, 60u" min Nickel Plated.

Electrical
 Contact Resistance : 20 milliohms
 Max at 1 AMP DC.
 Insulation Resistance : 1000
 magohms at 500 VDC
 Dielectric Withstanding Voltage :
 1000 VAC/rms 60Hz for 1 minute
 Current Rating : 3 AMP
 Volatge Rating : 250 VAC/rms 60Hz
 Operation Temperature : -25°C to +85°C

⑧ Packing:Tray

Dimensions

Positions	A	B	C	E
9	30.81	24.99	16.92	11.08
15	39.20	33.30	25.25	19.39
25	53.05	47.04	38.96	33.24
37	69.40	63.50	55.42	49.86

RoHS compliant
 Unit: mm

Scale	Free	⑨	Add A-DSxx-GG-9U1-RR1 in page 7	19.05.2022	Winnie	Date	Name
TOLERANCE		⑧	Add the packing information	06.05.2022	Peter	Drawn	31.08.2012 Winnie
X.	±0.38	⑦	Sheet 1 remove "T1" option, add sheet 5&6	26.09.2019	Carson	Approved	19.05.2022 Winnie
X.X	±0.25	⑥	Update	26.07.2018	Xavier		
X.XX	±0.13	⑤	Update	09.07.2018	Xavier		
ANGLE		④	Update	06.07.2018	Xavier		
X.	±3°						
X.X	±1.0°						
		Id.	Modification	Date	Name		

Description. D-Sub Connector Male 180° Angle	
ASSMANN WSW-No. A-DS xx PP/LP-T2	
Drawing-No.	rev09
Customer-No.	Sheet 5/6



