

5749717-1 ✓ ACTIVE



AMPLIMITE

TE Internal #: 5749717-1

Crimp D-Sub Connectors, Plug, Cable-to-Cable, 26 Position, Size 22 Contact Size, 2 Connector Shell Size, Mating Retention, Shielded

[View on TE.com >](#)

Connectors > D-Shaped Connectors > D-Sub Connectors > Crimp D-Sub Connectors > D-Sub Crimp: Plug, Signal, 26 Posn, Pin Size 22, Shell Size 2



Connector & Housing Type: **Plug**

Connector System: **Cable-to-Cable**

Number of Positions: **26**

Contact Size: **Size 22**

Connector Shell Size: **2**

[All D-Sub Crimp: Plug, Signal, 26 Posn, Pin Size 22, Shell Size 2 \(4\)](#)

Features

Product Type Features

Shell Material Configuration	Front Metal Shell
Ground Feature Type	Grounding Indents
Connector & Contact Terminates To	Wire & Cable
Connector & Housing Type	Plug
Connector System	Cable-to-Cable
Connector Shell Size	2
Sealable	No

Configuration Features

Number of Positions	26
---------------------	----

Body Features

Insert Material	Glass-Filled Nylon
Shell Plating Material	Tin

Contact Features



Contact Size	Size 22
--------------	---------

Mechanical Attachment

Mating Retention	With
Mating Retention Type	Clinch Nut, 4-40 UNC

Housing Features

Shell Material	Steel
Centerline (Pitch)	2.28 mm[.09 in]

Usage Conditions

Operating Temperature Range	-55 – 105 °C[-67 – 221 °F]
-----------------------------	----------------------------

Operation/Application

Circuit Application	Signal
Shielded	Yes

Industry Standards

UL Flammability Rating	UL 94V-0
------------------------	----------

Packaging Features

Packaging Quantity	400
Packaging Method	Package

Product Compliance

[For compliance documentation, visit the product page on TE.com>](#)

EU RoHS Directive 2011/65/EU	Compliant
EU ELV Directive 2000/53/EC	Compliant
China RoHS 2 Directive MIIT Order No 32, 2016	No Restricted Materials Above Threshold
EU REACH Regulation (EC) No. 1907/2006	Current ECHA Candidate List: JAN 2024 (240) Candidate List Declared Against: JAN 2024 (240) Does not contain REACH SVHC
Halogen Content	BFR/CFR/PVC Free, but Br/Cl >900 ppm in other sources.
Solder Process Capability	Not applicable for solder process capability

Product Compliance Disclaimer

This information is provided based on reasonable inquiry of our suppliers and represents our current actual knowledge based on the information they provided. This information is subject to change. The part numbers that TE has identified as

EU RoHS compliant have a maximum concentration of 0.1% by weight in homogenous materials for lead, hexavalent chromium, mercury, PBB, PBDE, DBP, BBP, DEHP, DIBP, and 0.01% for cadmium, or qualify for an exemption to these limits as defined in the Annexes of Directive 2011/65/EU (RoHS2). Finished electrical and electronic equipment products will be CE marked as required by Directive 2011/65/EU. Components may not be CE marked. Additionally, the part numbers that TE has identified as EU ELV compliant have a maximum concentration of 0.1% by weight in homogenous materials for lead, hexavalent chromium, and mercury, and 0.01% for cadmium, or qualify for an exemption to these limits as defined in the Annexes of Directive 2000/53/EC (ELV). Regarding the REACH Regulation, the information TE provides on SVHC in articles for this part number is based on the latest European Chemicals Agency (ECHA) 'Guidance on requirements for substances in articles' posted at this URL: <https://echa.europa.eu/guidance-documents/guidance-on-reach>

Compatible Parts



TE Part # CAT-038-DCRSS222
D-Sub Crimp Recept Signal 26 Posn,
Socket Size 22, Shell Size 2

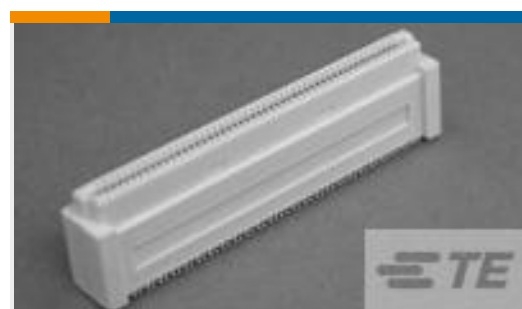


TE Part # CAT-038-DCPPS222
D-Sub Crimp: Plug, Signal, 26 Posn,
Pin Size 22, Shell Size 2



TE Part # 5206471-1
CABLE CLAMP KIT,SZ 2

Customers Also Bought



TE Part #5084616-1
0.8FH,R13H.5,040,08/Sn,TR,SC



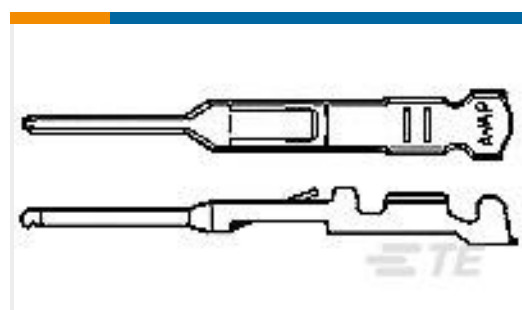
TE Part #2301826-1
AMPL PLUG HD20, VERT, 9P, B/L,4-40
INS



TE Part #1-1473562-4
RITS CONN. PLUG ASSY 4P RED



TE Part #172211-4
EIS CAP HSG FREE HANG 4P
NATUTURAL



TE Part #170429-1
EIS REC CONT 26-20 AWG BR TN



TE Part #171822-3
EIS REC. HSG 3P-NATURAL



TE Part #171822-2
EIS REC. HSG 2P-NATURAL



TE Part #172211-2
EIS CAP HSG FREE HANG 2P
NATUTURAL

Documents

Product Drawings

PLUG ASSY,26P,HDP-22,CN

English

CAD Files

Customer View Model

ENG_CVM_CVM_5749717-1_O1.3d_igs.zip



English

Customer View Model

[ENG_CVM_CVM_5749717-1_O1.3d_stp.zip](#)

English

Customer View Model

[ENG_CVM_CVM_5749717-1_O1.2d_dxf.zip](#)

English

3D PDF

3D

3D PDF

English

Customer View Model

[ENG_CVM_5749717-1_O.2d_dxf.zip](#)

English

Customer View Model

[ENG_CVM_5749717-1_O.3d_igs.zip](#)

English

Customer View Model

[ENG_CVM_5749717-1_O.3d_stp.zip](#)

English

By downloading the CAD file I accept and agree to the [Terms and Conditions](#) of use.

Datasheets & Catalog Pages

[AMPLIMITE Subminiature D Connectors - Cable Connectors](#)

English

[AMPLIMITE Cable Connectors and Shielding Hardware Kits QRG](#)

English

Product Specifications

[Application Specification](#)

English

Instruction Sheets

[Instruction Sheet \(U.S.\)](#)

English

Agency Approvals

[CSA Certificate](#)

English