

166054-1 ACTIVE



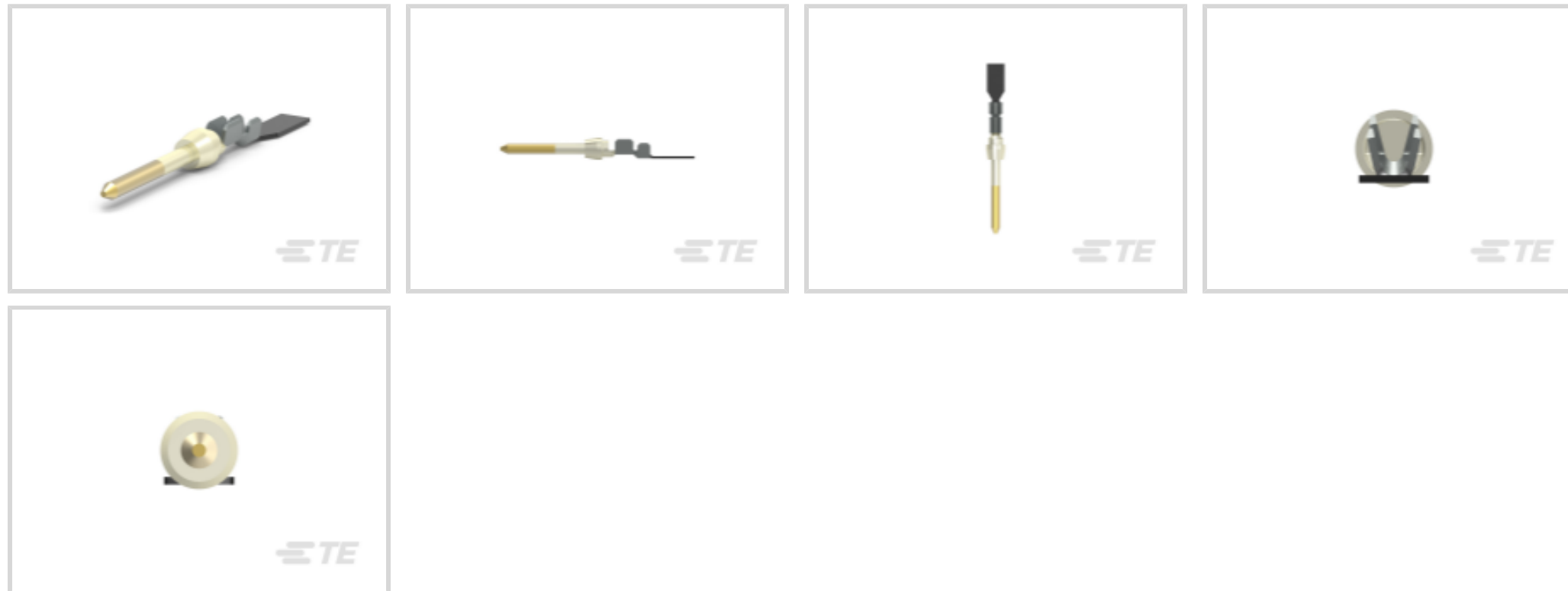
AMPLIMITE

TE Internal #: 166054-1

Pin Contact, Gold, Snap-In Contact Retention, Size 20 Contact Size, 28 - 24 AWG Wire Size, .08 - .22 mm² Wire Size, Crimp, Brass, Signal

[View on TE.com >](#)

Connectors > Contacts > Connector Contacts > D-Sub Connector Contacts: Pin, Brass, Signal, Size 20



Contact Type: **Pin**

Contact Mating Area Plating Material: **Gold**

Contact Retention Type Within Housing: **Snap-In**

Contact Size: **Size 20**

Wire Size: **28 - 24 AWG**

[All D-Sub Connector Contacts: Pin, Brass, Signal, Size 20 \(50\)](#)

Features

Contact Features

Mating Pin Diameter	1 mm
Contact Underplating Material	Nickel
PCB Contact Termination Area Plating Material	Tin
Contact Type	Pin
Contact Mating Area Plating Material	Gold
Contact Size	Size 20
Contact Base Material	Brass
Contact Current Rating (Max)	1.2 A

Termination Features

Termination Method to Wire & Cable	Crimp
Product Terminates To	Wire & Cable

Mechanical Attachment

Wire Insulation Support	With
-------------------------	------



Contact Retention Type Within Housing	Snap-In
---------------------------------------	---------

Dimensions

Compatible Insulation Diameter Range	.76 - 1.02 mm [.03 - .04 in]
Wire Size	.08 - .22 mm ²

Usage Conditions

Operating Temperature Range	-55 - 105 °C [-67 - 221 °F]
-----------------------------	-----------------------------

Operation/Application

Circuit Application	Signal
---------------------	--------

Identification Marking

Contact Color Code	Blue
--------------------	------

Packaging Features

Packaging Quantity	12500
Packaging Method	Reel

Product Compliance

[For compliance documentation, visit the product page on TE.com>](#)


EU RoHS Directive 2011/65/EU	Compliant
EU ELV Directive 2000/53/EC	Compliant
China RoHS 2 Directive MIIT Order No 32, 2016	No Restricted Materials Above Threshold
EU REACH Regulation (EC) No. 1907/2006	Current ECHA Candidate List: JAN 2024 (240) Candidate List Declared Against: JAN 2024 (240) Does not contain REACH SVHC
Halogen Content	Low Halogen - Br, Cl, F, I < 900 ppm per homogenous material. Also BFR/CFR/PVC Free
Solder Process Capability	Not applicable for solder process capability

Product Compliance Disclaimer

This information is provided based on reasonable inquiry of our suppliers and represents our current actual knowledge based on the information they provided. This information is subject to change. The part numbers that TE has identified as EU RoHS compliant have a maximum concentration of 0.1% by weight in homogenous materials for lead, hexavalent chromium, mercury, PBB, PBDE, DBP, BBP, DEHP, DIBP, and 0.01% for cadmium, or qualify for an exemption to these limits as defined in the Annexes of Directive 2011/65/EU (RoHS2). Finished electrical and electronic equipment products will be CE marked as required by Directive 2011/65/EU. Components may not be CE marked. Additionally, the part numbers that TE has identified as EU ELV compliant have a maximum concentration of 0.1% by weight in homogenous materials for lead, hexavalent chromium, and mercury, and 0.01% for cadmium, or qualify for an exemption to these limits as defined in the Annexes of Directive 2000/53/EC (ELV). Regarding the REACH Regulation, the information TE provides on SVHC in articles for this part number is based on the latest European Chemicals Agency (ECHA) 'Guidance on

requirements for substances in articles' posted at this URL: <https://echa.europa.eu/guidance-documents/guidance-on-reach>

Compatible Parts



TE Part # 91503-1
CCII AMPLIMITE 20 DF PIN SKT 28-20 ASSY



TE Part # 1579007-9
EXTRACTION TOOL



TE Part # 91285-1
INSERT/EXTRACT TOOL ASSEMBLY



TE Part # 2151428-1
OCEAN-2.0-APPLICATOR-S-042F055O-RSM



TE Part # 2151428-2
OCEAN-2.0-APPLICATOR-S-042F055O-RSA



TE Part # 2305570-1
Strip Terminal Cutter-Side Feed-No Crimp



TE Part # 5-2151428-1
OCEAN-2.0-APPLICATOR-S-042F055O-RSM



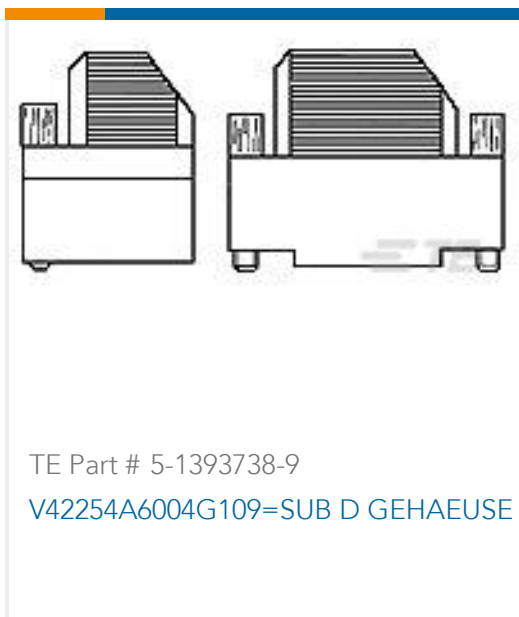
TE Part # 5-2151428-2
OCEAN-2.0-APPLICATOR-S-042F055O-RSA



KIT
REPRESENTATION ONLY

TE Part # 7-2151428-7
OCEAN_2.0_SPARE_PART_KIT-042F055O

Customers Also Bought



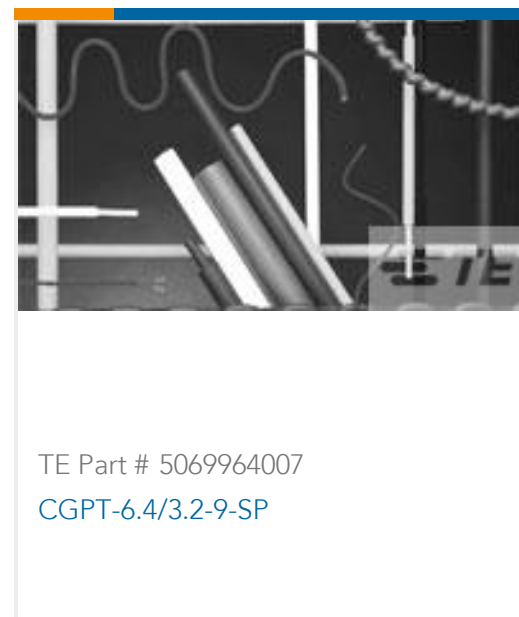
TE Part # 5-1393738-9
V42254A6004G109=SUB D GEHAEUSE



TE Part # 160831-4
PL REC 1.0-2.5 MM2 .0160 X 2.060 TPPHBZ



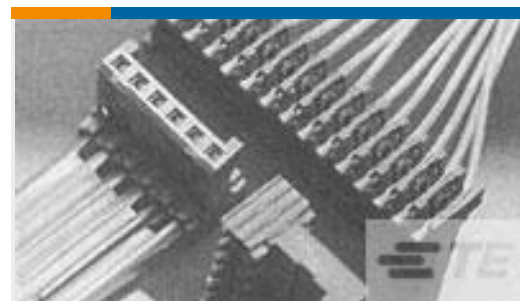
TE Part # 42007
RING 190(4.82MM) TERMINAL 18-14 AWG TPBR



TE Part # 5069964007
CGPT-6.4/3.2-9-SP



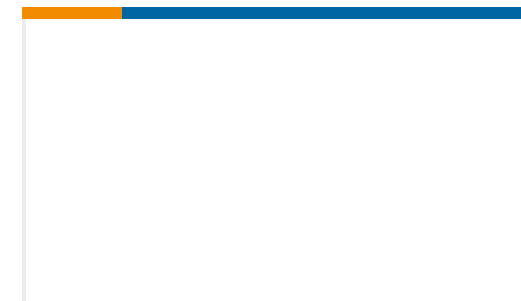
TE Part # 2-964298-1
TAB A 2.8x0.8 CONTACT CF SWS Sn



TE Part # 144273-4
PLUG HE13 IDC 90 4 P AWG 24



TE Part # BSA078F26580235000
923 PLUG



TE Part # 928040-4
4P TELFIX BU-GEH



TE Part # 653522-1
STRIPPER BLADE



TE Part # 1102896-1
HEE.32.BU.C.B1-32

Documents

Product Drawings

HD20 PIN CONTACT

English

CAD Files

Customer View Model

[ENG_CVM_CVM_166054-1_AB.2d_dxf.zip](#)

English

3D PDF

3D

Customer View Model

[ENG_CVM_CVM_166054-1_AB.3d_igs.zip](#)

English

Customer View Model

[ENG_CVM_CVM_166054-1_AB.3d_stp.zip](#)

English

By downloading the CAD file I accept and agree to the [Terms and Conditions](#) of use.

Datasheets & Catalog Pages

AMPLIMITE Subminiature D Connectors - Subminiature D Connectors for Cable Mounting

English

Product Specifications

Application Specification

English