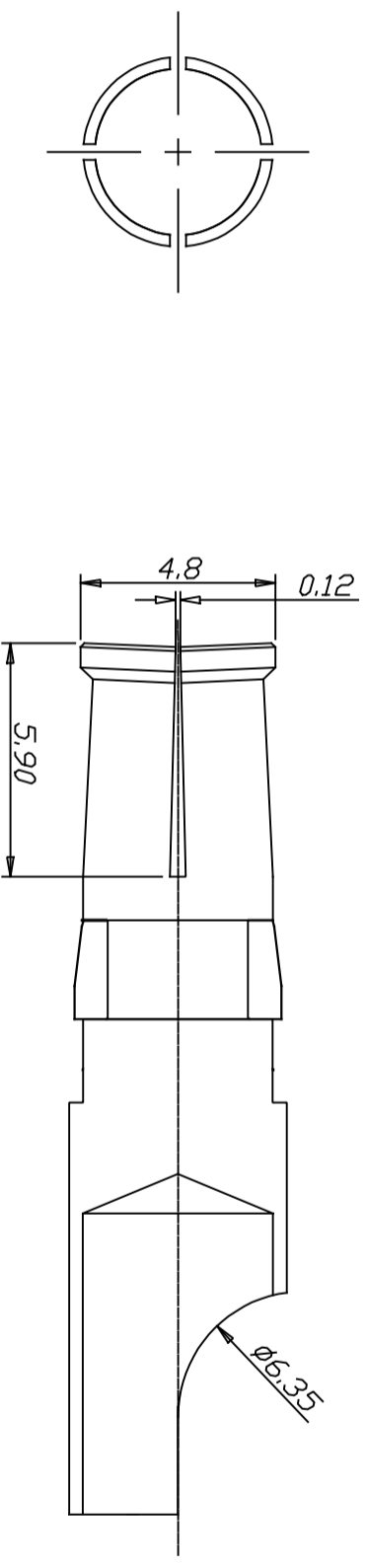
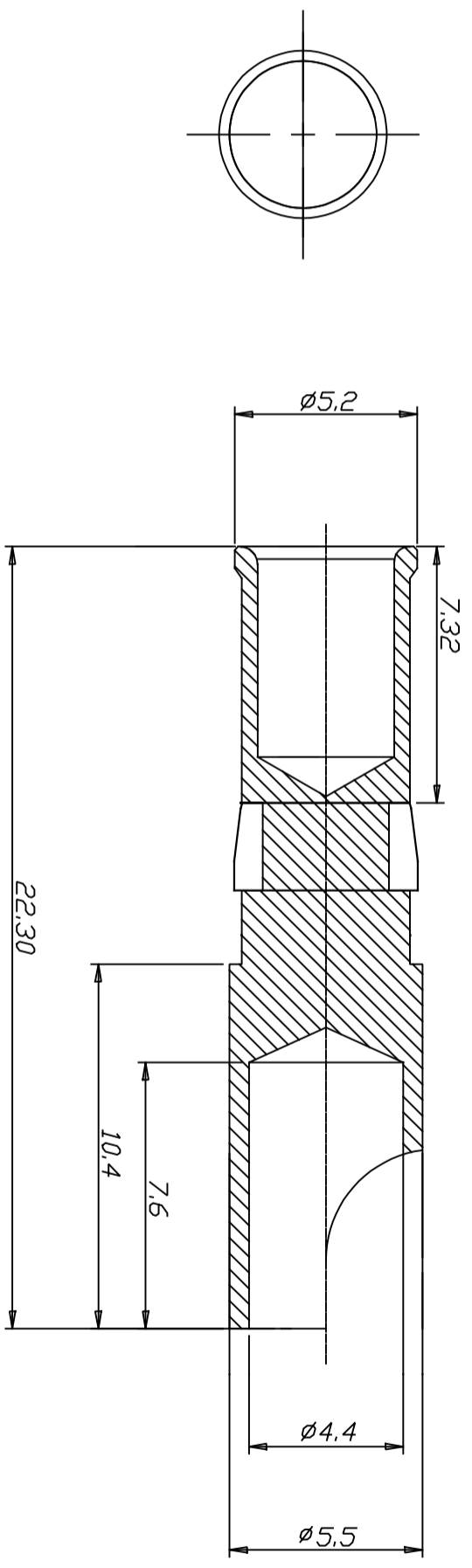


PART NUMBER : 8638PSS7506LF



Notes  
 1. The surface of the finished product must not have burrs, scratches.

Material & Finish

1. Contact Material : Copper Alloy
2. Plating : Silver over Nickel (Lubed)
3. Clip : Thermoplastic

Refer GS-12-1670 for Technical & Mechanical Characteristics

Rohs Note

The "LF" product meet European Union Directives & regulation as described in GS-47-0004

mat'l. code		C14500		surface		ISO 1302		tolerance		ISO 406 ISO 1101		projection		product family	
itr		ecn no		dr		date		tolerances unless otherwise specified		linear		mm		D-SUB POWER	
A		-		GM		13-04-2022		.0±0.30		.00±0.15		←		75A HI POWER CONTACT	
B		ELX-1-48583		ACJ		26-06-2023		.000±0.05		scale		NTS		SOLDER CUP FEMALE	
sheet		revision		B		1		GREGAR M		13-04-2022		Amphenol FCI		dwg no	
index		sheet		1		1		engr		13-04-2022		10160777		sheet 1 of 1	
								chr		13-04-2022		Product Customer Drawing		size	
								appd		13-04-2022				A3	