

CUC-DST-GZNI-S/DSSC15 - D-SUB sleeve housings



1419724

<https://www.phoenixcontact.com/us/products/1419724>

Please be informed that the data shown in this PDF document is generated from our online catalog. Please find the complete data in the user documentation. Our general terms of use for downloads are valid.



D-SUB sleeve housings, degree of protection: IP20, material: Zinc die-cast, cable outlet: straight, housing size: 2, color: Bare metallic

Your advantages

- Easy to mount thanks to preassembled locking screws
- Angled conductor entry
- Antimagnetic plastic housing

Commercial data

Item number	1419724
Packing unit	1 pc
Minimum order quantity	1 pc
Sales key	AB19
Product key	ABNCAE
GTIN	4055626188034
Weight per piece (including packing)	58.9 g
Weight per piece (excluding packing)	58.9 g
Customs tariff number	85389099
Country of origin	DE

1419724

<https://www.phoenixcontact.com/us/products/1419724>

Technical data

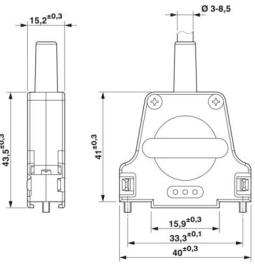
Product properties

Product type	Sleeve housings
Type	D-SUB
No. of cable outlets	1
Cable outlet	straight

Connection data

Screw thread	4-40 UNC
--------------	----------

Dimensions

Dimensional drawing	
Width	40 mm
Height	15.2 mm
Depth	62 mm

Material specifications

Color	Bare metallic
Flammability rating according to UL 94	V0
Housing material	Zinc die-cast
Housing surface material	nickel-plated

Cable/line

External cable diameter	3 mm ... 8.5 mm (Without bending protection)
-------------------------	--

Environmental and real-life conditions

Ambient conditions

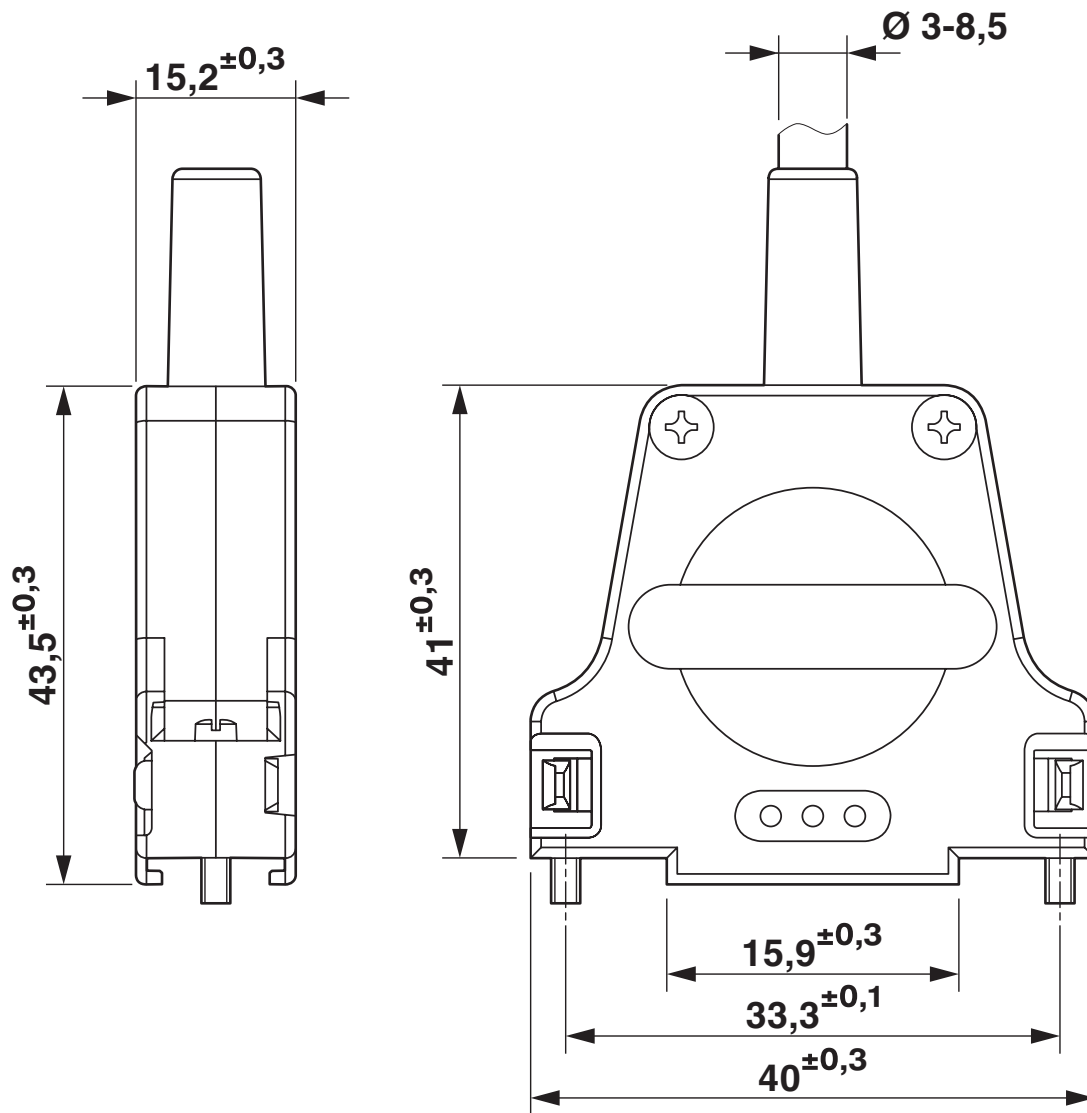
Degree of protection	IP20
Ambient temperature (operation)	-35 °C ... 100 °C

Mounting

Mounting type	Screw locking mechanism
---------------	-------------------------

Drawings

Dimensional drawing



D-SUB sleeve housings

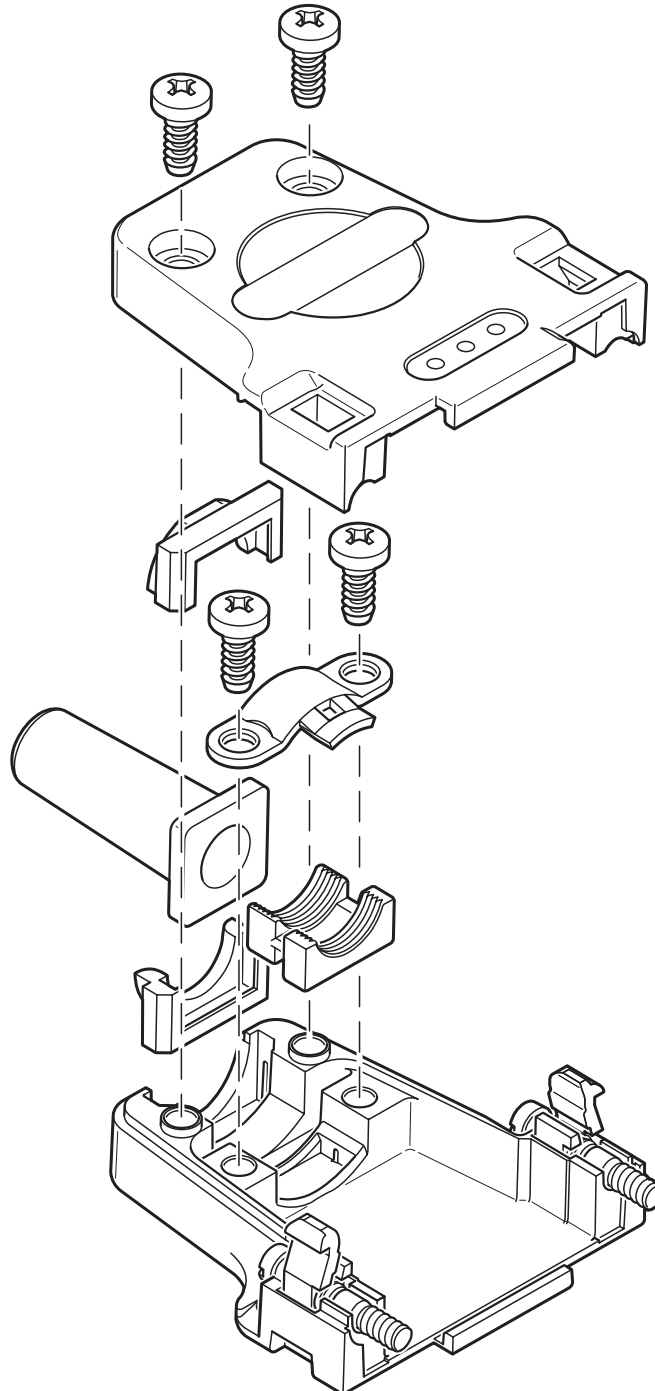
CUC-DST-GZNI-S/DSSC15 - D-SUB sleeve housings

1419724

<https://www.phoenixcontact.com/us/products/1419724>



Schematic diagram



CUC-DST-GZNI-S/DSSC15 - D-SUB sleeve housings



1419724

<https://www.phoenixcontact.com/us/products/1419724>

Classifications

ECLASS

ECLASS-11.0	27440202
ECLASS-12.0	27440202
ECLASS-13.0	27440202

ETIM

ETIM 9.0	EC000437
----------	----------

UNSPSC

UNSPSC 21.0	31261500
-------------	----------

1419724

<https://www.phoenixcontact.com/us/products/1419724>

Environmental product compliance

EU RoHS

Fulfills EU RoHS substance requirements	Yes, No exemptions
---	--------------------

China RoHS

Environment friendly use period (EFUP)	EFUP-E
	No hazardous substances above the limits

EU REACH SVHC

REACH candidate substance (CAS No.)	No substance above 0.1 wt%
-------------------------------------	----------------------------

1419724

<https://www.phoenixcontact.com/us/products/1419724>

Accessories

VS-15-ST-DSUB-EG - Contact insert

1688874

<https://www.phoenixcontact.com/us/products/1688874>

D-SUB contact insert, shell size 2, with 15 signal contacts, type of contact pin, with solder cup, straight, fixing with a 3 mm hole, for panel mounting frame and sleeve housing VS-15-...



VS-15-BU-DSUB-EG - Contact insert

1688887

<https://www.phoenixcontact.com/us/products/1688887>

D-SUB contact insert, shell size 2, with 15 signal contacts, type of contact socket, with solder cup, straight, fixing with a 3 mm hole, for panel mounting frame and sleeve housing VS-15-...



CUC-DST-GZNI-S/DSSC15 - D-SUB sleeve housings



1419724

<https://www.phoenixcontact.com/us/products/1419724>

VS-15-ST-DSUB-HD-EG - D-SUB contact insert

1655179

<https://www.phoenixcontact.com/us/products/1655179>

D-SUB contact insert, shell size 2, with 26 signal contacts, type of contact pin, with solder cup, straight, fixing with a 3 mm hole, for panel mounting frame and sleeve housing VS-15-...



VS-15-BU-DSUB-HD-EG - D-SUB contact insert

1655166

<https://www.phoenixcontact.com/us/products/1655166>

D-SUB contact insert, shell size 2, with 26 signal contacts, type of contact socket, with solder cup, straight, fixing with a 3 mm hole, for panel mounting frame and sleeve housing VS-15-...



CUC-DST-GZNI-S/DSSC15 - D-SUB sleeve housings



1419724

<https://www.phoenixcontact.com/us/products/1419724>

VS-15-ST-DSUB-CD-OG - D-SUB contact support

1688939

<https://www.phoenixcontact.com/us/products/1688939>

D-SUB contact carrier, shell size 2, for 15 signal contacts, type of contact pin, for crimp contacts, straight, fixing with a 3 mm hole, for panel mounting frame and sleeve housing VS-15-...



VS-15-BU-DSUB-CD-OG - D-SUB contact support

1688942

<https://www.phoenixcontact.com/us/products/1688942>

D-SUB contact carrier, shell size 2, for 15 signal contacts, type of contact socket, for crimp contacts, straight, fixing with a 3 mm hole, for panel mounting frame and sleeve housing VS-15-...



CUC-DST-GZNI-S/DSSC15 - D-SUB sleeve housings



1419724

<https://www.phoenixcontact.com/us/products/1419724>

VS-15-ST-DSUB-HD-CD-B - D-SUB contact support

1655195

<https://www.phoenixcontact.com/us/products/1655195>

D-SUB contact carrier, shell size 2, for 26 signal contacts, type of contact pin, for crimp contacts, straight, fixing with a 3 mm hole, for panel mounting frame and sleeve housing VS-15-...



VS-15-BU-DSUB-HD-CD-B - D-SUB contact support

1655182

<https://www.phoenixcontact.com/us/products/1655182>

D-SUB contact carrier, shell size 2, for 26 signal contacts, type of contact socket, for crimp contacts, straight, fixing with a 3 mm hole, for panel mounting frame and sleeve housing VS-15-...



CUC-DST-GZNI-S/DSSC15 - D-SUB sleeve housings



1419724

<https://www.phoenixcontact.com/us/products/1419724>

VS-15-ST-DSUB-3P - D-SUB contact support

1688201

<https://www.phoenixcontact.com/us/products/1688201>

D-SUB contact carrier, shell size 2, accommodation for three combined contacts, type of contact pin, straight, fixing with a 3 mm hole, for panel mounting frame and sleeve housing VS-15-...



VS-15-BU-DSUB-3P - D-SUB contact support

1688214

<https://www.phoenixcontact.com/us/products/1688214>

D-SUB contact carrier, shell size 2, accommodation for three combined contacts, type of contact socket, straight, fixing with a 3 mm hole, for panel mounting frame and sleeve housing VS-15-...



Phoenix Contact 2024 © - all rights reserved
<https://www.phoenixcontact.com>

Phoenix Contact USA
586 Fulling Mill Road
Middletown, PA 17057, United States
(+717) 944-1300
info@phoenixcon.com