

D-Sub Metalized Cover, Top or Side cable entry + Long jackscrews

TECHNICAL SPECIFICATIONS

Material: Polyamid, UL-recognised
 Operating Temperature: -55°C to +110°C
 Cable Entry: Side and Top
 Thumbscrews: Long and Short
 UNC 4-40 (Standard)
 M2,5 or M3 on request
 Cable O.D: Up to 11,5mm

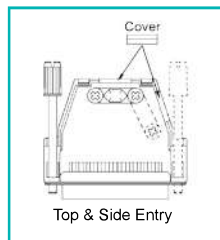


Features:

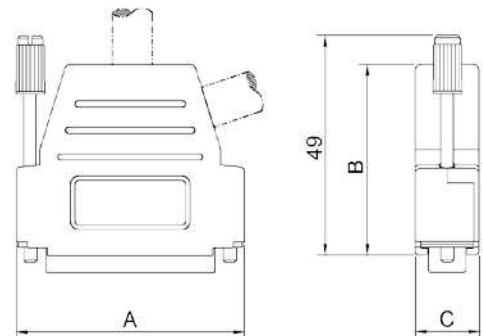
- Metalized plastic cover, Top or Side
- Available in sizes 9-15-25
- Suitable for any common Sub-D connector
- Quick-snap locking system
- Re-openable
- Company logo available upon request
- Jackscrews 9-way
 - 1 long jackscrew
- Jackscrews 15- & 25-way
 - 2 long jackscrews
 - 1 short jackscrew



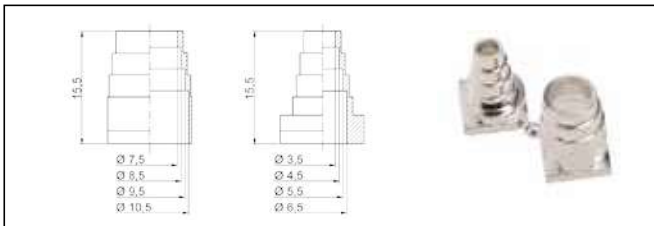
Accessories - Cutter



Top & Side Entry



Metalized grommet set



Size DSSK-M	Dim A	Dim B	Dim C
9-way	31,5	40,0	15,0
15-way	40,0	40,0	15,0
25-way	53,5	43,0	15,0

Ordering information:

Size:	P/N - Kitted:	Product Code:
9-way	6260-0106-01	DSSK-M-09-L-K
15-way	6260-0106-02	DSSK-M-15-L-K
25-way	6260-0106-03	DSSK-M-25-L-K

Size:	P/N - BULK:	Product Code:
9-way	6261-0106-01	DSSK-M-09-L
15-way	6261-0106-02	DSSK-M-15-L
25-way	6261-0106-03	DSSK-M-25-L

