

VS-15-GC-BU/BU - D-SUB gender changer



1652664

<https://www.phoenixcontact.com/us/products/1652664>

Please be informed that the data shown in this PDF document is generated from our online catalog. Please find the complete data in the user documentation. Our general terms of use for downloads are valid.

D-SUB contact insert, shell size 2, with 15 signal contacts, type of contact socket, gender changer, fixing with 4-40 UNC thread



Commercial data

Item number	1652664
Packing unit	10 pc
Minimum order quantity	10 pc
Sales key	AB19
Product key	ABNCAB
Catalog page	Page 712 (C-2-2019)
GTIN	4017918952822
Weight per piece (including packing)	13.59 g
Weight per piece (excluding packing)	12.79 g
Customs tariff number	85366990
Country of origin	DE

VS-15-GC-BU/BU - D-SUB gender changer

1652664

<https://www.phoenixcontact.com/us/products/1652664>

Technical data

Product properties

Product type	Female insert
Type	D-SUB
Sensor type	Universal
Number of positions	15
Connection profile	D-SUB
Type	Female/Female
Shielded	no
Cable outlet	straight

Insulation characteristics

Overvoltage category	III
Degree of pollution	2

Electrical properties

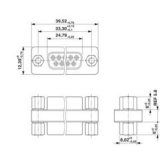
Rated voltage (III/3)	125 V
Rated surge voltage	1 kV
Rated current	5 A
Transmission medium	Copper
Power transmission	Power

Connection data

Connection technology

Connection method	Coupling
-------------------	----------

Dimensions

Dimensional drawing	
Width	17.8 mm
Height	39.26 mm
Length	12.55 mm

Material specifications

Flammability rating according to UL 94	V0
Housing material	Metal
Housing surface material	metal-plated
Contact material	Copper alloy
Contact surface material	Gold

VS-15-GC-BU/BU - D-SUB gender changer



1652664

<https://www.phoenixcontact.com/us/products/1652664>

Contact carrier material	Polyester GF
--------------------------	--------------

Mechanical properties

Mechanical data

Insertion/withdrawal cycles	≥ 200
-----------------------------	-------

Environmental and real-life conditions

Ambient conditions

Degree of protection	IP20
Ambient temperature (operation)	-55 °C ... 125 °C

Mounting

Mounting type	Threads
---------------	---------

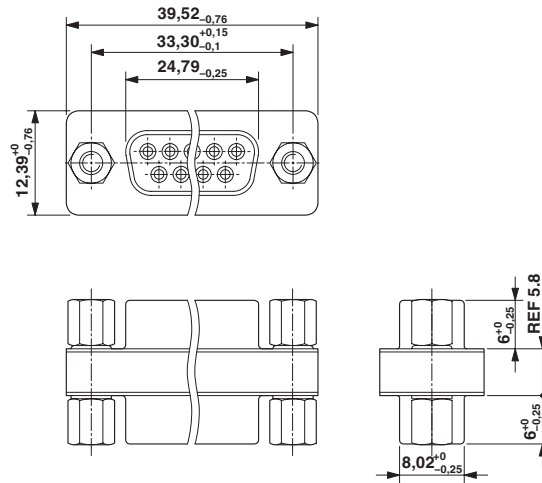
VS-15-GC-BU/BU - D-SUB gender changer

1652664

<https://www.phoenixcontact.com/us/products/1652664>

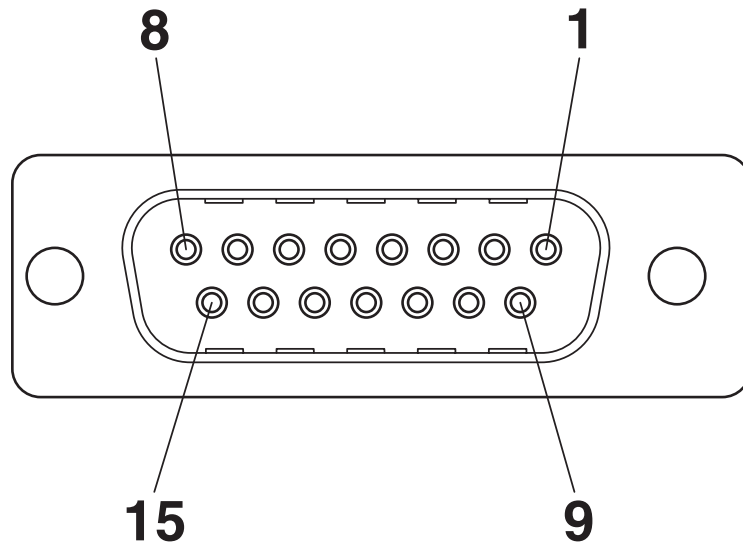
Drawings

Dimensional drawing



Gender changer

Schematic diagram



VS-15-GC-BU/BU - D-SUB gender changer



1652664

<https://www.phoenixcontact.com/us/products/1652664>

Classifications

ECLASS

ECLASS-11.0	27440223
ECLASS-12.0	27440223
ECLASS-13.0	27440223

ETIM

ETIM 9.0	EC003557
----------	----------

UNSPSC

UNSPSC 21.0	39121400
-------------	----------

VS-15-GC-BU/BU - D-SUB gender changer



1652664

<https://www.phoenixcontact.com/us/products/1652664>

Environmental product compliance

EU RoHS

Fulfills EU RoHS substance requirements	Yes, No exemptions
---	--------------------

China RoHS

Environment friendly use period (EFUP)	EFUP-E
	No hazardous substances above the limits

EU REACH SVHC

REACH candidate substance (CAS No.)	No substance above 0.1 wt%
-------------------------------------	----------------------------

Phoenix Contact 2024 © - all rights reserved
<https://www.phoenixcontact.com>

Phoenix Contact USA
586 Fulling Mill Road
Middletown, PA 17057, United States
(+717) 944-1300
info@phoenixcon.com