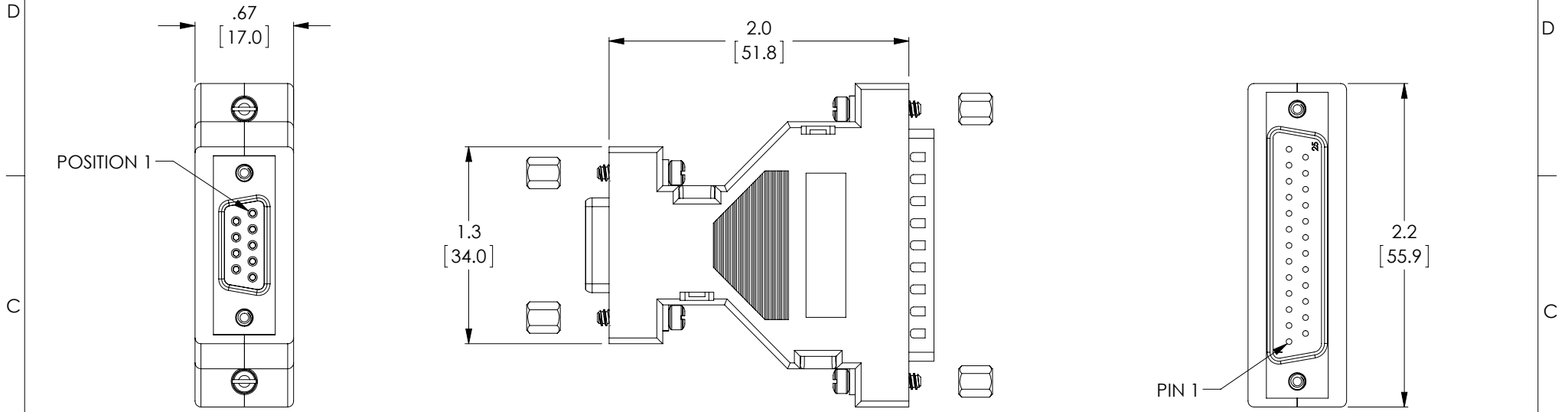


THE INFORMATION CONTAINED IN THIS DRAWING IS THE SOLE PROPERTY OF L-COM, INC. ANY REPRODUCTION IN PART OR WHOLE WITHOUT THE WRITTEN PERMISSION OF L-COM, INC. IS PROHIBITED.

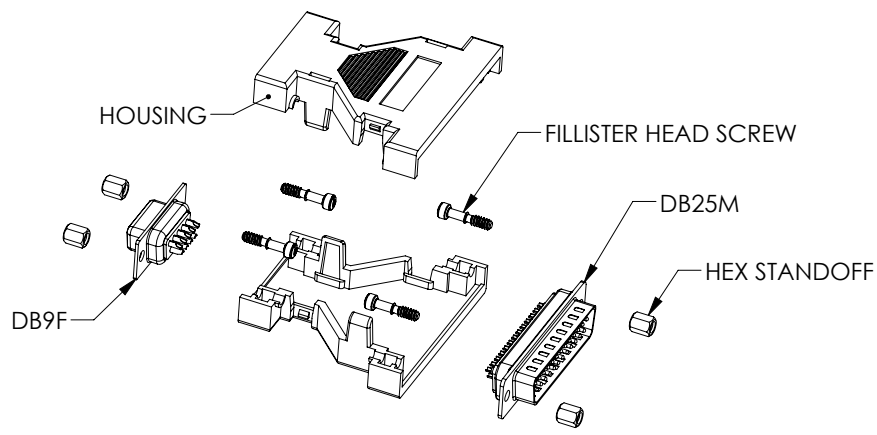
**RoHS Compliant** ✓

REVISIONS			
REV	DESCRIPTION	DATE	APPROVED
A	INITIAL RELEASE	8/2/12	D.GRIFFIN



"J1"  
FEMALE 9 PIN  
D-SUB CONNECTOR

"P1"  
MALE 25 PIN  
D-SUB CONNECTOR



**NOTE**  
**MATERIAL**  
 HOUSING: THERMOPLASTIC  
 CONNECTOR SHELL: COLD ROLLED STEEL  
 INSULATOR: THERMOPLASTIC. UL94V-0 RATED  
 CONTACTS: COPPER ALLOY  
 HARDWARE: STEEL OR BRASS

**FINISH:**  
 CONTACTS: GOLD PLATED  
 SHELL: TIN FINISH  
 HARDWARE: NICKEL PLATED

**MISCELLANEOUS:**  
**KIT CONTAINS:**  
 1- THERMOPLASTIC HOUSING  
 1- 25 PIN, MALE D-SUB CONNECTOR (SOLDER CUP)  
 1- 9 PIN, FEMALE D-SUB CONNECTOR (SOLDER CUP)  
 4- 4-40UNC-2A SCREWS  
 4- 4-40UNC-2B HEX STANDOFFS

ALL DIMENSIONS ARE FOR REFERENCE ONLY

UNLESS OTHERWISE SPECIFIED, DIMENSIONS ARE IN INCHES [mm] OVERALL CABLE LENGTH TOLERANCE: ≤12 [305] = +1 [25] / -0 >12 [305] ≤60 [1524] = +2 [51] / -0 >60 [1524] ≤120 [3048] = +4 [102] / -0 >120 [3048] ≤300 [7620] = +6 [152] / -0 >300 [7620] = +3% / -0% ALL OTHER DIMENSIONAL TOLERANCES: .X = ±.2 .XX = ±.02 .XXX = ±.005	APPROVALS DRAWN BY D. DESJARDIN	DATE 8/1/12	45 BEECHWOOD DRIVE NORTH ANDOVER, MA 01845
	CHECKED BY D. PARHAM APPROVED BY S. SMITH	8/1/12	
PROJECTION 	CONFIGURATION DETAILS OF UNDIMENSIONED FEATURES MAY VARY	PRODUCT DESCRIPTION ADPT, KIT UNWIRED DB25M/DB9F	SCALE: NONE CAD FILE: DIY259MF.SLDDRW SHEET 1 OF 1
SIZE A	FSCM NO. 43321	DWG. NO. DIY259MF	REV. A