



Connectors > Connector Accessories > Connector Strain Relief



Strain Relief Accessory Type: **Cable Clamp Kit**

Shielded: **No**

Number of Positions: **9**

Sealable: **No**

Features

Product Type Features

Strain Relief Accessory Type	Cable Clamp Kit
Sealable	No

Configuration Features

Number of Positions	9
---------------------	---

Housing Features

Compatible With Connector Shape	D-Shaped
Body Orientation	Straight

Operation/Application

Shielded	No
----------	----

Product Compliance

[For compliance documentation, visit the product page on TE.com>](#)

EU RoHS Directive 2011/65/EU	Compliant
EU ELV Directive 2000/53/EC	Compliant
China RoHS 2 Directive MIIT Order No 32, 2016	No Restricted Materials Above Threshold
EU REACH Regulation (EC) No. 1907/2006	Current ECHA Candidate List: JAN 2024 (240)



Candidate List Declared Against: JUNE 2022 (224)

Does not contain REACH SVHC

Halogen Content

Low Halogen - Br, Cl, F, I < 900 ppm per homogenous material. Also BFR/CFR/PVC Free

Solder Process Capability

Not applicable for solder process capability


Product Compliance Disclaimer

This information is provided based on reasonable inquiry of our suppliers and represents our current actual knowledge based on the information they provided. This information is subject to change. The part numbers that TE has identified as EU RoHS compliant have a maximum concentration of 0.1% by weight in homogenous materials for lead, hexavalent chromium, mercury, PBB, PBDE, DBP, BBP, DEHP, DIBP, and 0.01% for cadmium, or qualify for an exemption to these limits as defined in the Annexes of Directive 2011/65/EU (RoHS2). Finished electrical and electronic equipment products will be CE marked as required by Directive 2011/65/EU. Components may not be CE marked. Additionally, the part numbers that TE has identified as EU ELV compliant have a maximum concentration of 0.1% by weight in homogenous materials for lead, hexavalent chromium, and mercury, and 0.01% for cadmium, or qualify for an exemption to these limits as defined in the Annexes of Directive 2000/53/EC (ELV). Regarding the REACH Regulation, the information TE provides on SVHC in articles for this part number is based on the latest European Chemicals Agency (ECHA) 'Guidance on requirements for substances in articles' posted at this URL: <https://echa.europa.eu/guidance-documents/guidance-on-reach>

Compatible Parts

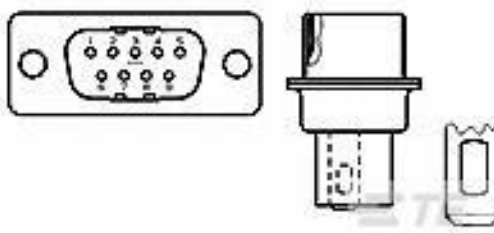


TE Part # 4-1393560-6
V42254A4000D 25=SUB D BUEGEL



TE Part # 749619-4
SZ1 STRAIN RELIEF CLIP,ZINC

Customers Also Bought



TE Part # 215711-1
09P.HDP20 PLUG ASSY



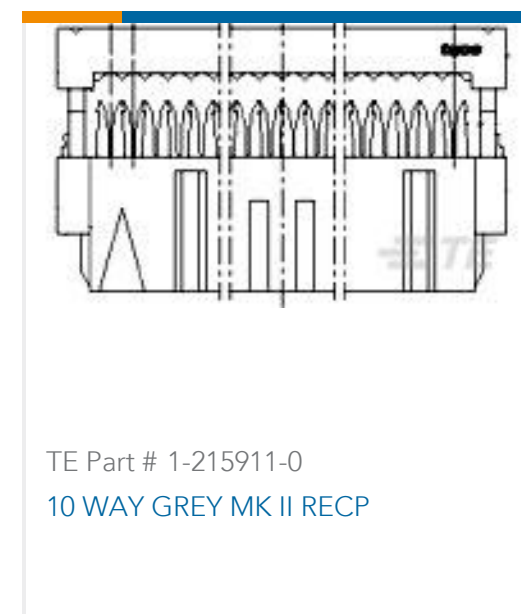
TE Part # 8-215083-6
MICRO-MATCH MOW.16P



TE Part # 926897-1
UNIV.M-N-L.PIN



TE Part # 172171-1
15 CIR UNIV M-N-L PLUG



Documents

Product Drawings

V42254A4000D 9=SUB D BUEGEL

English

CAD Files

3D PDF

3D

Customer View Model

[ENG_CVM_CVM_4-1393560-3_A.2d_dxf.zip](#)

English

Customer View Model

[ENG_CVM_CVM_4-1393560-3_A.3d_igs.zip](#)

English

Customer View Model

[ENG_CVM_CVM_4-1393560-3_A.3d_stp.zip](#)

English

By downloading the CAD file I accept and agree to the [Terms and Conditions](#) of use.