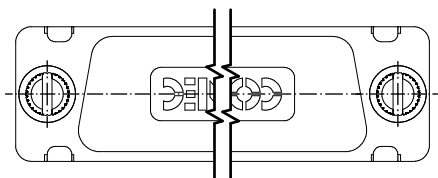
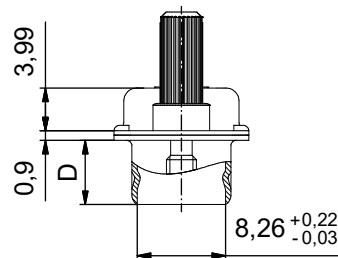
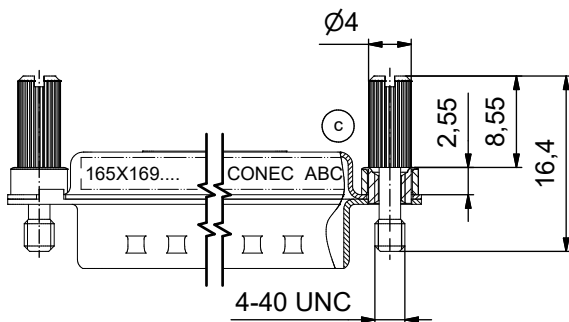
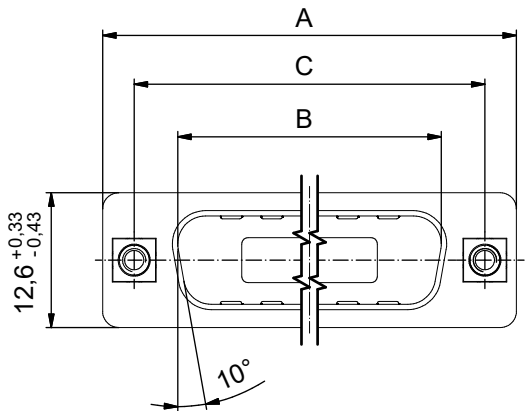


**(C) Materials/
Werkstoffe:**

Shell/ Gehäuse:	Steel, Sn over Ni
Threaded insert/ Gewindeinsatz:	Cu alloy, Sn over Ni
Collar/ Scheibe:	Cu alloy, Sn over Ni
Jack screw/ Rändelschraube:	Steel, Ni

**Installation specification/
Montagedaten:**

Recommended torque value for thread/ Empfohlenes Drehmoment für Gewinde:	max. 6 in.LB/ max. 67 Ncm
---	------------------------------



No. of pos./ Polzahl:	A _{-0,76}	B _{+0,25}	C	D _{-0,3}	Part no. / Part marked/ Art.-Nr. / Bedruckung:
9	31,19	16,79	25,00 ^{+0,12} _{-0,13}	6,12	165X16909X
15	39,52	25,12	33,30 ^{+0,15} _{-0,1}	6,12	165X16919X
25	53,42	38,84	47,04 ± 0,13	5,99	165X16929X
37	69,70	55,30	63,50 ± 0,13	5,99	165X16939X

Index: c Ä19-0060 15.04.2019 JLE		Scale/ Maßstab: 2:1				dim. in mm D-SUB Shielded cap 9-37pos., protection against EMI/RFI for socket connector, with jack screw D-SUB Abschirmkappe 9-37pos., Schutz vor EMI/RFI für Buchsenstecker, mit Rändelschraube		dwg no / Z.-nr.: 16K1A1514		DIN- A3	
Status: InBearbeitung		RoHS compliant/ konform		drawn/ gez. 05.10.2005 Lehmenkühler appd./ gepr. 05.10.2005 Mickenbecker		Date/ Datum: 05.10.2005 Name: Mickenbecker		1 / 1			

This reproduction, distribution and utilization of this document as well as the communication of its contents to others without express authorization is prohibited. Offenders will be held liable for the payment of damages. For further information on our copyright and liability policies, please refer to our website: www.conec.com.