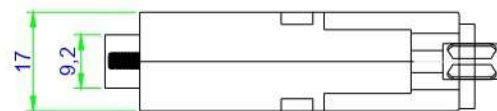
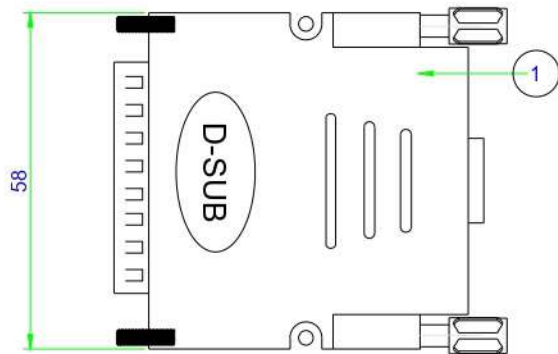
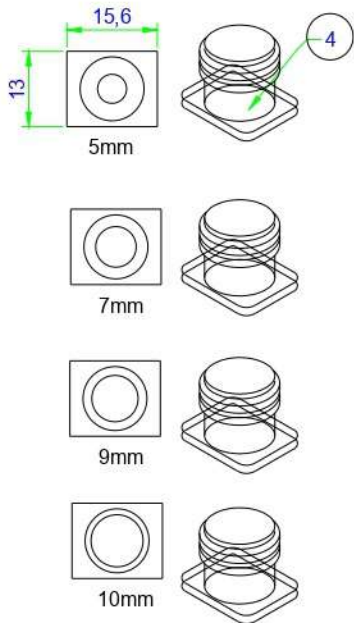


4 Different Sizes  
Select the size of the tail sleeve according to the size of the cable



No.	Item	Material	Qty
5	Long Screw	Nickel Plated Iron	2
4	Grommet	P.P.	4
3	Copper Terminal	3.81 Copper	1
2	25 Pin Connector	Male or Female	1
1	D-Sub 25Pin Hood	Zinc Alloy Metal	1

**CompuCableUSA**

TOLERANCE: X.X ±0.50 X.XX ±0.45 X.XXX ±0.35 X.' ±5' X.X' ±2'		DRAWN BY :		DATE :		PART NAME: DTB-25XM-KIT	
UNIT: mm [inch] SCALE:1:1 SIZE: A3		CHECKED BY :		DATE :		DRAW NO. YX-2813	
		APPROVED BY :		DATE :		PART NO.	
						REMARK	
						MOLD NO.	