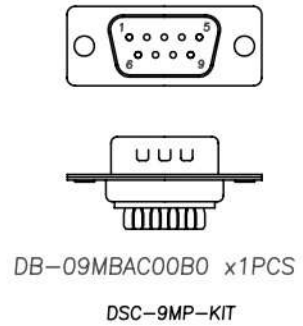


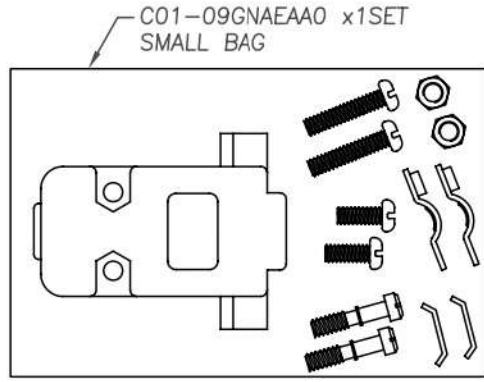
RoHS COMPLIANT

REV	DATE	DESCRIPTION
C	06/24/"22	Apply: Alberta

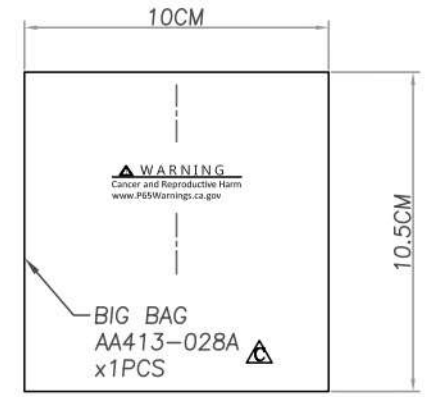
(1)



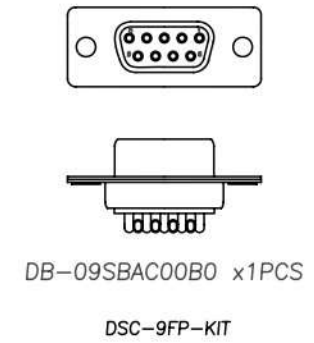
+



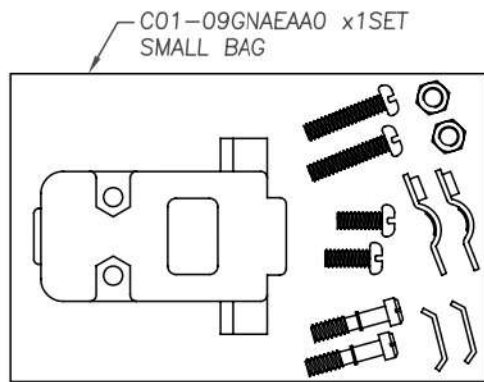
→



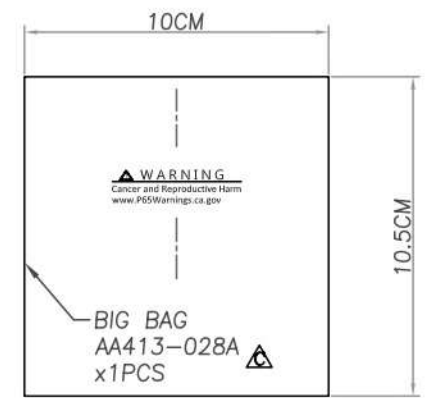
(2)



+



→



NO.	CC+ P/N	Internal P/N	ITEM P/N	DESCRIPTION	QTY	UNIT	PRODUCT PACKING
1	DSC-9MP-KIT	DB-09MBAC00JB	DB-09MBAC00B0	D-SUB 9PIN SOLDER TYPE MALE	1	PCS	BIG BAG:10.5*10*0.05CM
			C01-09GNAEAA0	D-SUB 9PIN PLASTIC HOOD GREY	1	SET	
2	DSC-9FP-KIT	DB-09SBAC00JB	DB-09SBAC00B0	D-SUB 9PIN SOLDER TYPE FEMALE	1	PCS	BIG BAG:10.5*10*0.05CM
			C01-09GNAEAA0	D-SUB 9PIN PLASTIC HOOD GREY	1	SET	

NOTE:

**WARNING**  
Cancer and Reproductive Harm  
www.P65Warnings.ca.gov



MODEL NAME:  
Solder Type Unshielded Plastic Hood Kit

MARK EXPLAIN:  
 ⚠:Revision Change  
 I:Important Dimension  
 Ⓜ:Note

TOLERANCE:  
 0.00:  
 0.00 : ±0.20  
 0.0 : ±0.30  
 0. : ±0.40  
 ANGLE: ±3.0°  
 UNIT: mm

PART NO. DSC-9XP-KIT  
 APPROVED BY: ALBERTA  
 CHECKED BY: EDEA  
 DRAW BY: ALAN  
 FILE NO. FIG03218  
 SCALE: 1/1  
 DATE: 1080722