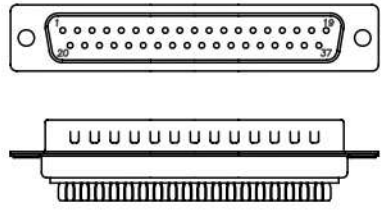


RoHS COMPLIANT

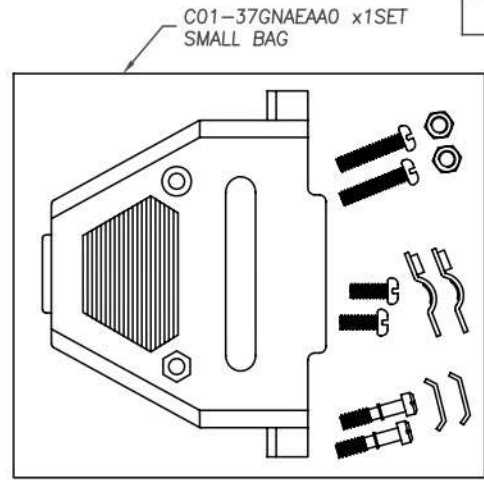
REV	DATE	DESCRIPTION
B	06/24/"22	Apply: Alberta

(1)



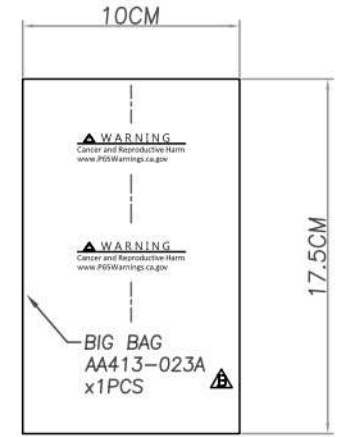
DB-37MBAC00B0 x1PCS  
DSC-37MP-KIT

+

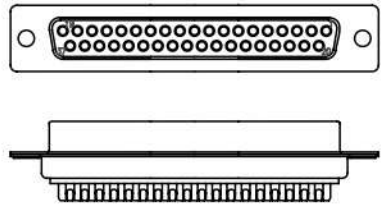


C01-37GNAEAA0 x1SET  
SMALL BAG

→

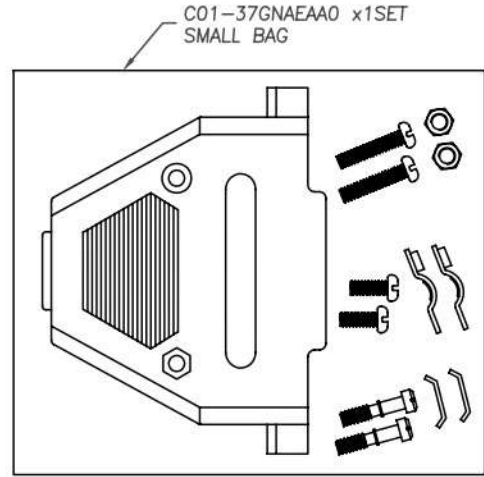


(2)



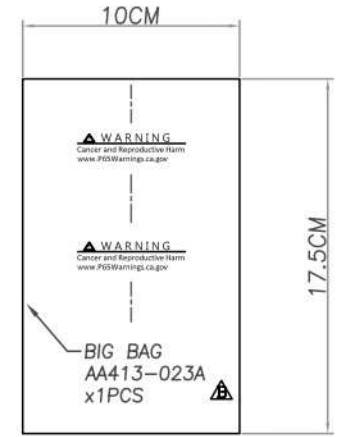
DB-37SBAC00B0 x1PCS  
DSC-37FP-KIT

+



C01-37GNAEAA0 x1SET  
SMALL BAG

→



NO.	CC+ P/N	Internal P/N	ITEM P/N	DESCRIPTION	QTY	UNIT	PRODUCT PACKING
1	DSC-37MP-KIT	DB-37MBAC00JB	DB-37MBAC00B0	D-SUB 37PIN SOLDER TYPE MALE	1	PCS	BIG BAG:17.5*10.*0.05CM
			C01-37GNAEAA0	D-SUB 37PIN PLASTIC HOOD GREY	1	SET	
2	DSC-37FP-KIT	DB-37SBAC00JB	DB-37SBAC00B0	D-SUB 37PIN SOLDER TYPE FEMALE	1	PCS	BIG BAG:17.5*10.*0.05CM
			C01-37GNAEAA0	D-SUB 37PIN PLASTIC HOOD GREY	1	SET	

NOTE:

▲ WARNING  
Cancer and Reproductive Harm  
www.P65Warnings.ca.gov



MODEL NAME:  
Solder Type Unshielded Plastic Hood Kit

MARK EXPLAIN:  
 ▲:Revision Change  
 ①:Important Dimension  
 ①:Note

TOLERANCE:  
 0.00:  
 0.00 : ±0.20  
 0.0 : ±0.30  
 0. : ±0.40  
 ANGLE: ±3.0°  
 UNIT: mm

PART NO. DSC-37XP-KIT  
 APPROVED BY: ALBERTA  
 CHECKED BY: EDEA  
 DRAW BY: ALAN  
 FILE NO. FIG03254  
 SCALE: 1/1  
 DATE: 1090107