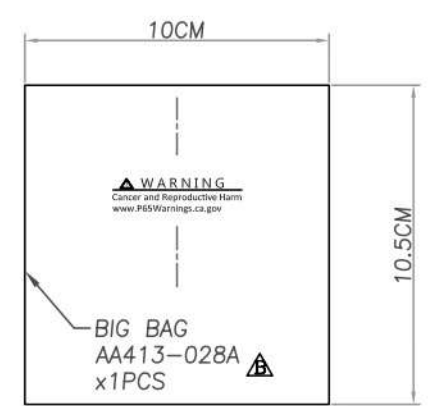
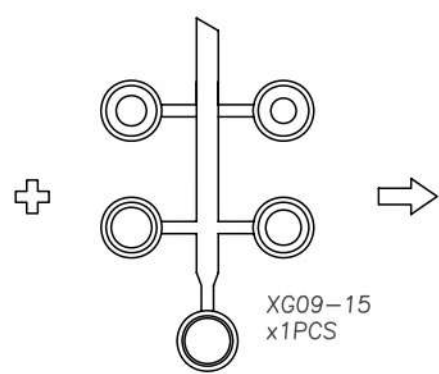
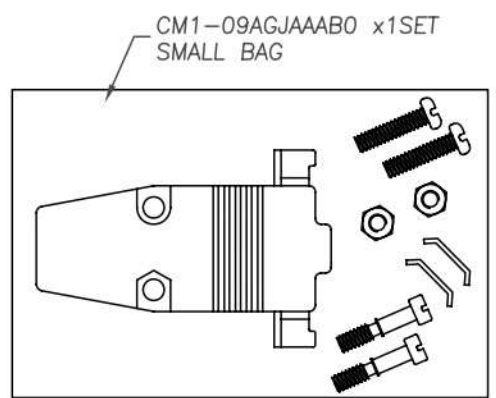
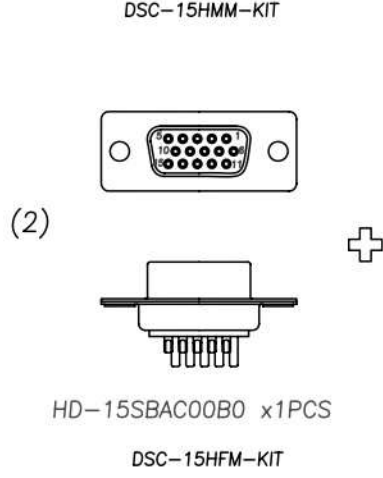
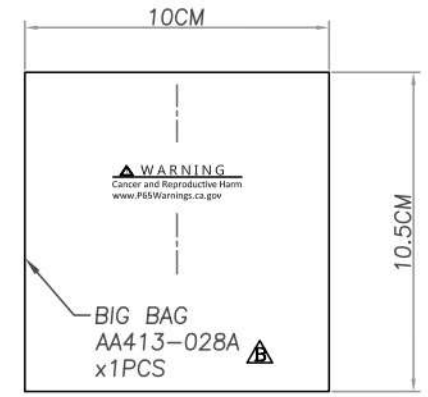
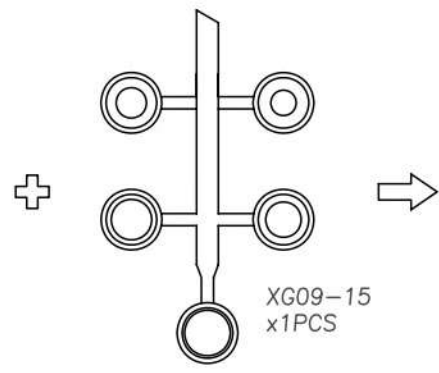
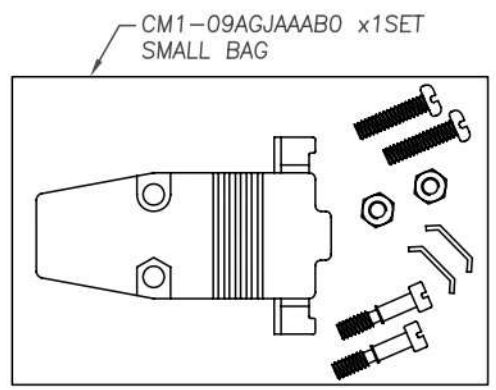
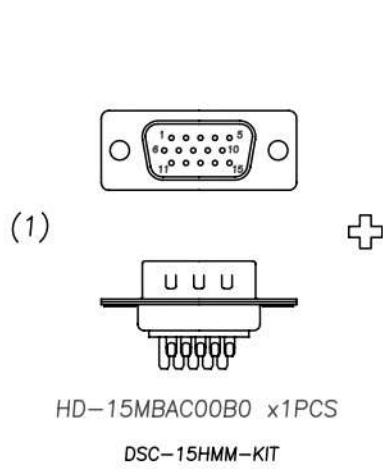


RoHS COMPLIANT

REV	DATE	DESCRIPTION
B	06/24/'22	Apply: Alberta



NO.	CC+ P/N	Internal P/N	ITEM P/N	DESCRIPTION	Q'TY	UNIT	PRODUCT PACKING
1	DSC-15HMM-KIT	HD-15MBAC00HA	HD-15MBAC00B0	D-SUB HD 15PIN SOLDER TYPE MALE	1	PCS	BIG BAG:10.5*10.*0.05CM
			CM1-09AGJAAAB0	D-SUB 9PIN METAL HOOD OD:9MM	1	SET	
			XG09-15	GROMET	1	PCS	
2	DSC-15HFM-KIT	HD-15SBAC00HA	HD-15SBAC00B0	D-SUB HD 15PIN SOLDER TYPE FEMALE	1	PCS	BIG BAG:10.5*10.*0.05CM
			CM1-09AGJAAAB0	D-SUB 9PIN METAL HOOD OD:9MM	1	SET	
			XG09-15	GROMET	1	PCS	

NOTE:
▲ **WARNING**
Cancer and Reproductive Harm
www.P65Warnings.ca.gov



MODEL NAME:
Solder Type Shielded Metal Hood Kit

MARK EXPLAIN:
▲:Revision Change
I:Important Dimension
①:Note

TOLERANCE:
0.00:
0.00 : ±0.20
0.0 : ±0.30
0. : ±0.40
ANGLE: ±3.0'
UNIT: mm

PART NO. DSC-15HXM-KIT
APPROVED BY: ALBERTA
CHECKED BY: EDEA
DRAW BY: ALAN
FILE NO. FIG03251
SCALE: 1/1
DATE: 1090106