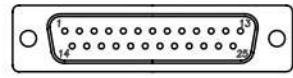


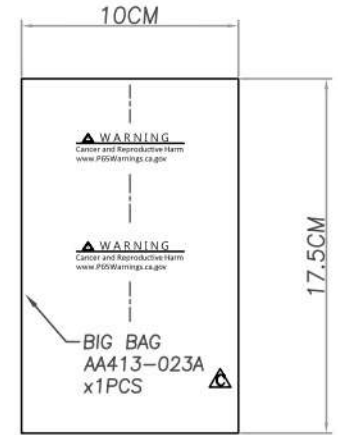
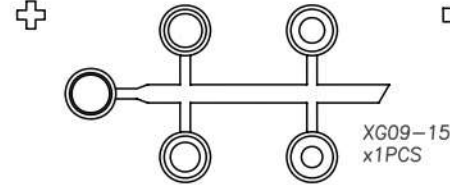
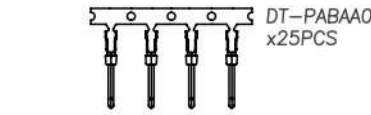
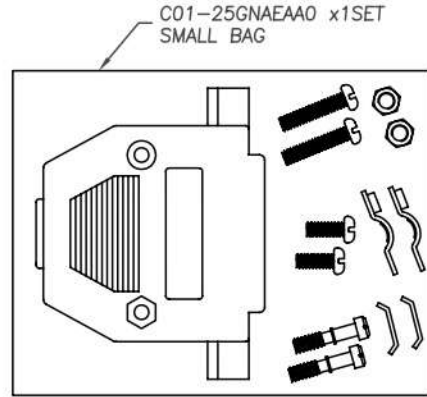
RoHS COMPLIANT

REV	DATE	DESCRIPTION
C	06/24/"22	Apply: Alberta

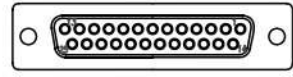
(1)



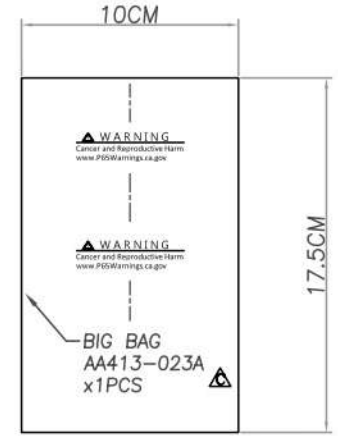
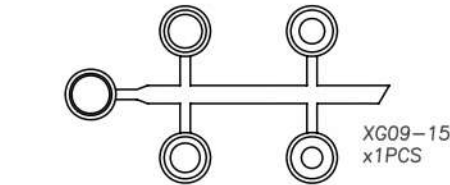
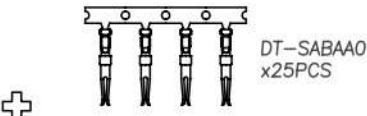
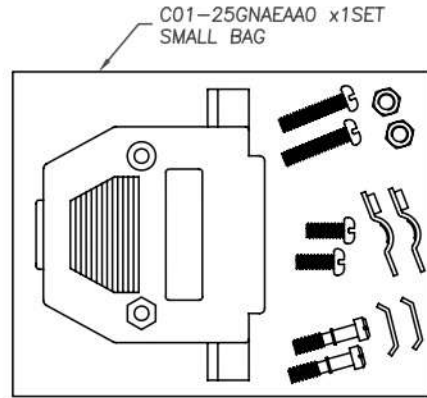
DH-25PKC00A0 x1PCS
DCT-25MP-KIT



(2)



DH-25SKC00A0 x1PCS
DCT-25FP-KIT



NO.	CC+ P/N	Internal P/N	ITEM P/N	DESCRIPTION	Q'TY	UNIT	PRODUCT PACKING
1	DCT-25MP-KIT	DH-25PKC00DA	DH-25PKC00A0	D-SUB 25PIN CRIMP TYPE MALE	1	PCS	BIG BAG:17.5*10*0.05CM
			DT-PABAA0	CRIMP TYPE MALE TERMINAL	25	PCS	
			C01-25GNAEAA0	D-SUB 25PIN PLASTIC HOOD GREY	1	SET	
			XG09-15	GROMET	1	PCS	
2	DCT-25FP-KIT	DH-25SKC00DA	DH-25SKC00A0	D-SUB 25PIN CRIMP TYPE FEMALE	1	PCS	BIG BAG:17.5*10*0.05CM
			DT-SABAA0	CRIMP TYPE FEMALE TERMINAL	25	PCS	
			C01-25GNAEAA0	D-SUB 25PIN PLASTIC HOOD GREY	1	SET	
			XG09-15	GROMET	1	PCS	

NOTE:

WARNING
Cancer and Reproductive Harm
www.P65Warnings.ca.gov

CompuCableUSA

MODEL NAME:

Crimp Type Unshielded Plastic Hood Kit

MARK EXPLAIN:
 ⚠:Revision Change
 I:Important Dimension
 ①:Note

TOLERANCE:
 0.000:
 0.00 : ±0.20
 0.0 : ±0.30
 0. : ±0.40
 ANGLE: ±3.0°

UNIT: mm

PART NO. DCT-25XP-KIT

APPROVED BY: ALBERTA

CHECKED BY: EDEA

DRAW BY: ALAN

FILE NO. FIG03228

SCALE: 1/1

DATE : 1080718