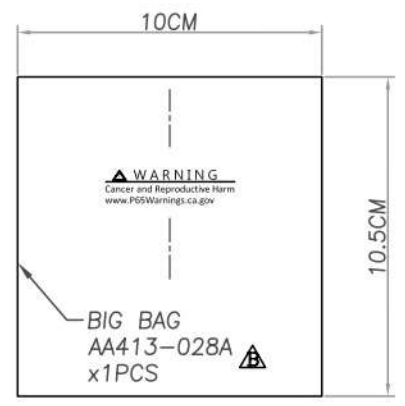
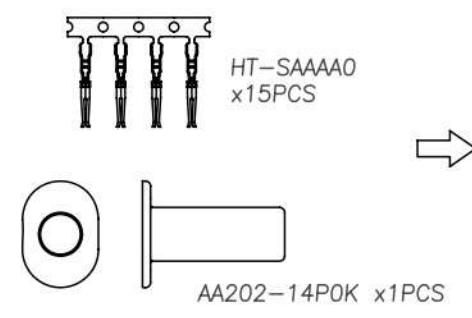
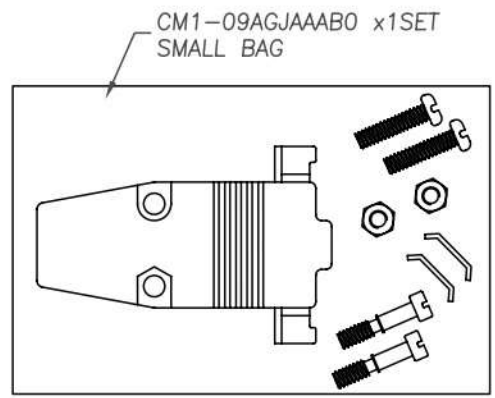
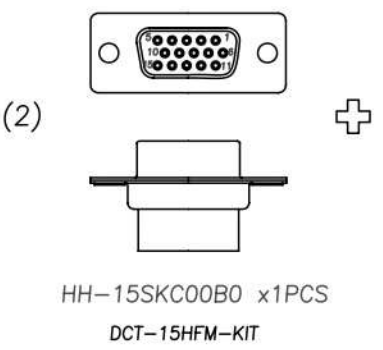
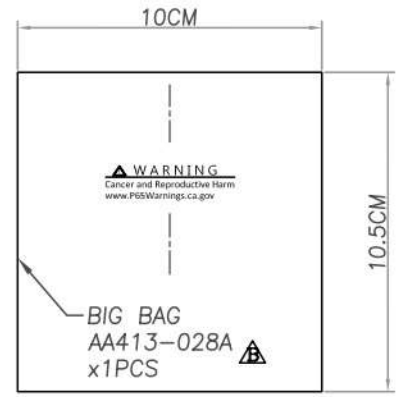
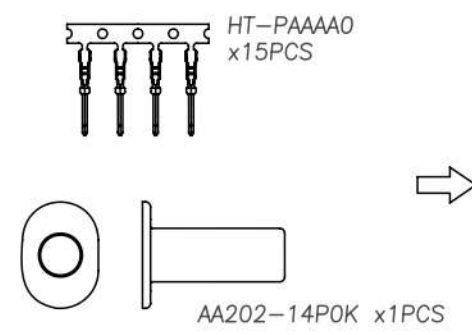
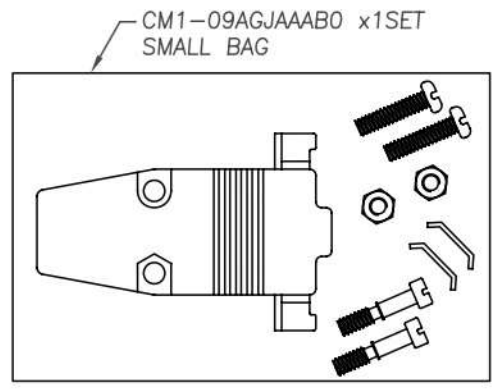
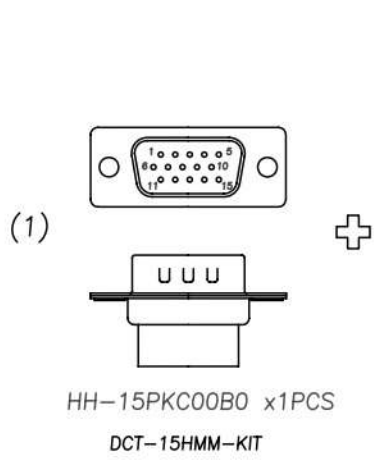


RoHS COMPLIANT

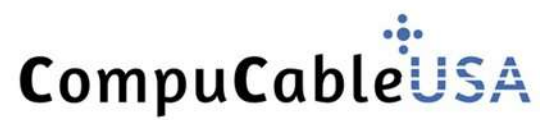
REV	DATE	DESCRIPTION
B	06/24/'22	Apply: Alberta



NO.	CC+ P/N	Internal P/N	ITEM P/N	DESCRIPTION	Q'TY	UNIT	PRODUCT PACKING
1	DCT-15HMM-KIT	HH-15PKC00CA	HH-15PKC00B0	D-SUB HD 15PIN CRIMP TYPE MALE	1	PCS	BIG BAG:10.5*10*0.05CM
			HT-PAAAA0	HD CRIMP TYPE MALE TERMINAL	15	PCS	
			CM1-09AGJAAAB0	D-SUB 09PIN METAL HOOD OD:9MM	1	SET	
			AA202-14P0K	GROMMET	1	PCS	
2	DCT-15HFM-KIT	HH-15SKC00CA	HH-15SKC00B0	D-SUB HD 15PIN CRIMP TYPE FEMALE	1	PCS	BIG BAG:10.5*10*0.05CM
			HT-SAAAA0	HD CRIMP TYPE FEMALE TERMINAL	15	PCS	
			CM1-09AGJAAAB0	D-SUB 09PIN METAL HOOD OD:9MM	1	SET	
			AA202-14P0K	GROMMET	1	PCS	

NOTE:

WARNING
Cancer and Reproductive Harm
www.P65Warnings.ca.gov



MODEL NAME:
Crimp Type Shield Metal Hood Kit

MARK EXPLAIN:
 ⚠:Revision Change
 ①:Important Dimension
 ①:Note

TOLERANCE:
 0.000:
 0.00 : ±0.20
 0.0 : ±0.30
 0. : ±0.40
 ANGLE: ±3.0°

PART NO. DCT-15HXM-KIT
 APPROVED BY: ALBERTA
 CHECKED BY: EDEA
 DRAW BY: ALAN
 FILE NO. FIG03308
 SCALE: 1/1
 DATE: 1100728