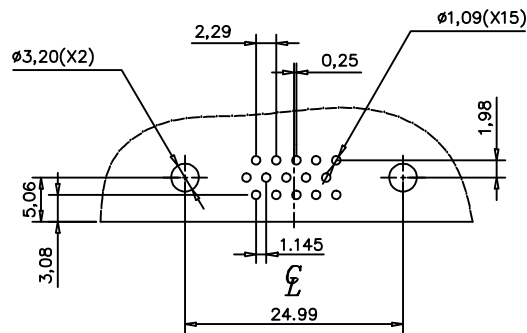
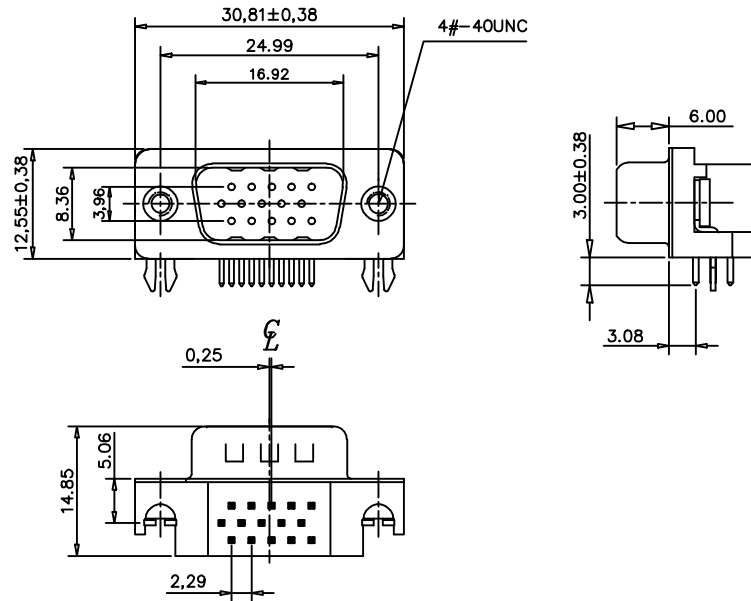


This document is the property of Amphenol Corporation and is delivered on the express condition that it is not to be disclosed, reproduced or used, in whole or in part, for manufacture or sale by anyone other than Amphenol Corporation without its prior consent, & that no right is granted to disclose or to use any information in this document.



RECOMMENDED P.C.B. LAYOUT
(TOLERANCE +/-0.03)



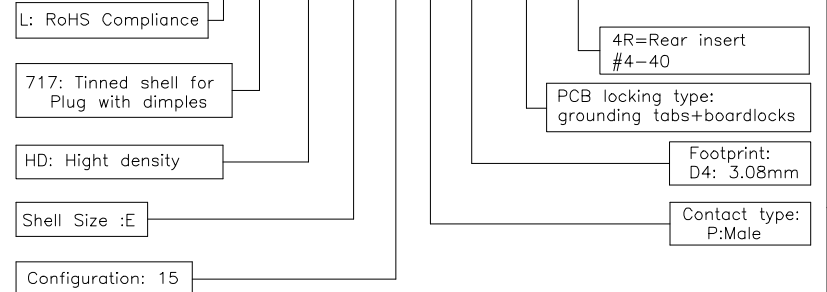
| REVISIONS | | | | |
|-----------|-----|------------------------------|----------|----------|
| SYM | ECN | DESCRIPTION | DATE | APPROVED |
| 2 | | Color blue to color black | 06/15/10 | IP |
| 3 | | Detail material of Body ;PBT | 10/11/12 | IP |

D-SUB TECHNICAL DATA

SHELL : Steel 2.5um (100u") min tin over 1.25um (50u") min nickel
 BODY : Glass filled thermoplasti, PBT
 Flame retardant to UL94 V-0 color BLACK
 CONTACTS : Brass
 gold flash over 1.25um (50u") min nickel on mating area
 2.50um (100u") min tin over nickel on solder area
 BOARDLOCK: Brass, 100u" tin min over 50u" min nickel
 REAR INSERT: Brass, 50u" min nickel
 ELECTRICAL : Voltage rating : 1000 V RMS at 50 Hz
 Current rating 3A.
 Insulation resistance >5000 M Ohms
 Contact resistance 25 mOhms max.
 CLIMATIC : Temperature range -55 °C to 125°C
 MARKING : Amphenol

PRODUCT CODE

L 717 HD E 15 P D4 CH 4R



| UNLESS OTHERWISE SPECIFIED TOLERANCES | APPROVAL | | DATE |
|---------------------------------------|---------------------|---------|----------|
| | U.S. | METRIC | DRAWN |
| .X +/- | 0.50 | CHECKED | 10/11/12 |
| .XX +/- | 0.30 | CHECKED | 10/11/12 |
| .XXX +/- | 0.20 | | |
| FRACTIONS +/- | | | |
| ANGLES +/- | 2' | | |
| FOR MATERIALS AND FINISHES SEE NOTES | DRAWING FILE : | | |
| REMOVE SHARP EDGES | ANGLE OF PROJECTION | | |
| DIMENSIONS | | | |
| U.S. INCHES | | | |
| METRIC MM | | | |

| | | |
|---|--------------------|--------------|
| Amphenol® | | |
| TITLE Right angle, 3.08mm footprint, HD series | | |
| SIZE | DRAWING NO. | REV. |
| A4 | C L717HDE15PD4CH4R | 3 |
| SCALE | NONE | SHEET 1 OF 1 |

Customer drawing