

**MATERIALS**

PART NO.	A99214-009	REV	ECO	DATE	APP
		1			

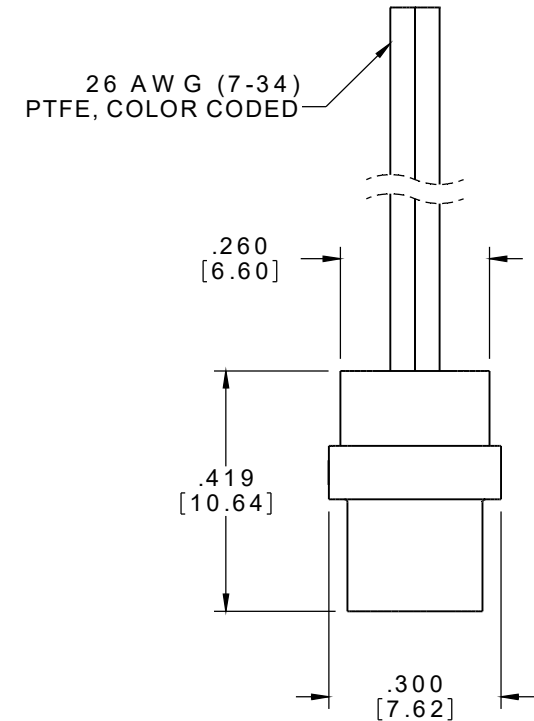
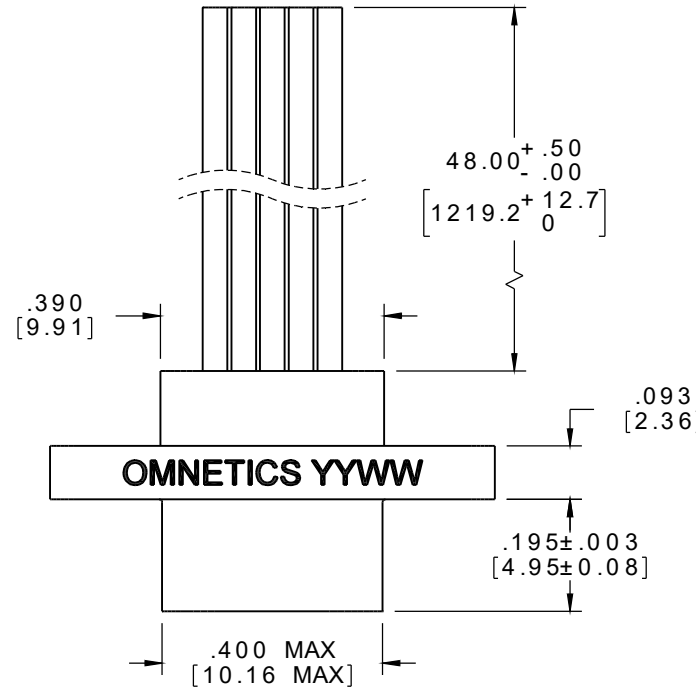
**HOUSING:**  
ALUMINUM 6061, NICKEL PLATE (500 MICROINCHES MINIMUM) PER SAE-AMS-2404

**INSULATOR:**  
LIQUID CRYSTAL POLYMER (LCP) PER ASTM D5138

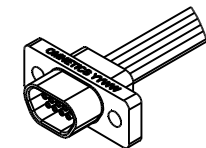
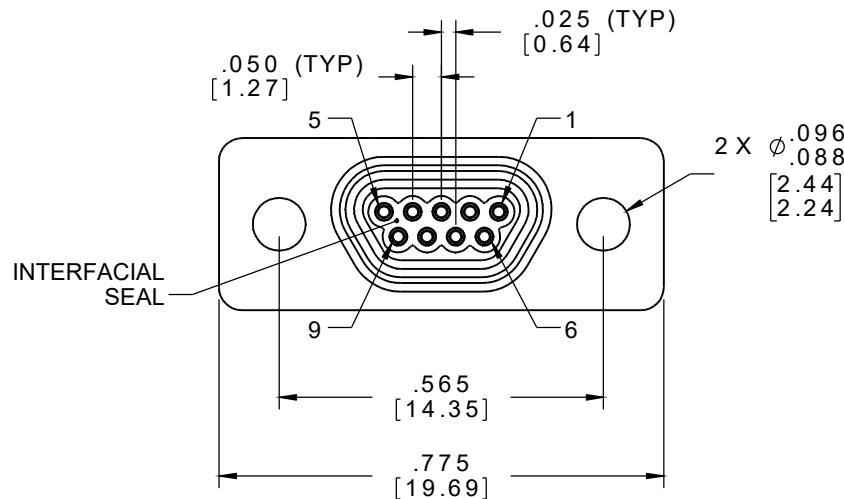
**CONTACT:**  
COPPER ALLOY PER MIL-DTL-83513, GOLD PLATED PER ASTM B488, (HARD GOLD) TYPE II, CODE C, CLASS 1.27

**WIRE:**  
NEMA HP3 TYPE E, COLOR CODED IAW MIL-STD-681, SYSTEM 1

**INTERFACIAL SEAL:**  
SILICONE RUBBER PER A-A-59588



SOCKET #	COLOR
1	BLACK
2	BROWN
3	RED
4	ORANGE
5	YELLOW
6	GREEN
7	BLUE
8	VIOLET
9	GRAY



ACTUAL SIZE EXCLUDING WIRE LENGTH

**INTERNAL USE ONLY**  
USE MFG LOADING PROCEDURE MMDS-009

**RoHS**

**NOTES:**  
1. DIMENSIONS IN [ ] ARE IN MILLIMETERS UNLESS OTHERWISE NOTED AND ARE FOR REFERENCE ONLY

MMDS SLDW	THIRD ANGLE	THIS DRAWING CONTAINS CONFIDENTIAL AND PROPRIETARY INFORMATION WHICH IS THE PROPERTY OF OMNETICS CONNECTOR CORP. THIS DOCUMENT MAY NOT, IN WHOLE OR IN PART, BE DUPLICATED, OR DISCLOSED FOR ANY PURPOSE, WITHOUT WRITTEN PERMISSION FROM OMNETICS CONNECTOR CORP.
	<b>-TOLERANCES-</b> UNLESS OTHERWISE NOTED	
	DIMENSIONS IN INCHES	
	2 PL DEC ± .01 3 PL DEC ± .005 4 PL DEC ± .0005 ANGLES ± 1°	
	TITLE:	(9) SOCKET FEMALE MICRO-D CONNECTOR
	DFTM. DWP	
	DATE	02-15-23

**OMNETICS**  
CONNECTOR CORPORATION  
8840 EVERGREEN BLVD.  
MINNEAPOLIS, MN 55433  
WWW.OMNETICS.COM

DWG NO.	CAGE CODE 61873
A99214-009	
SHEET 1 OF 1	SCALE: 3:1
	REV 1