

**MATERIALS**

**HOUSING:**  
ALUMINUM 6061-T6, NICKEL PLATE PER AMS-C-26074

**INSULATOR:**  
LIQUID CRYSTAL POLYMER (LCP) PER ASTM D5138

**CONTACT:**  
BERYLLIUM COPPER PER ASTM B194, C17200, GOLD PLATED PER ASTM B488, (HARD GOLD) TYPE II CODE C, CLASS 1.27

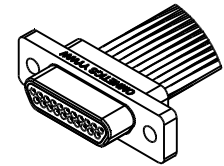
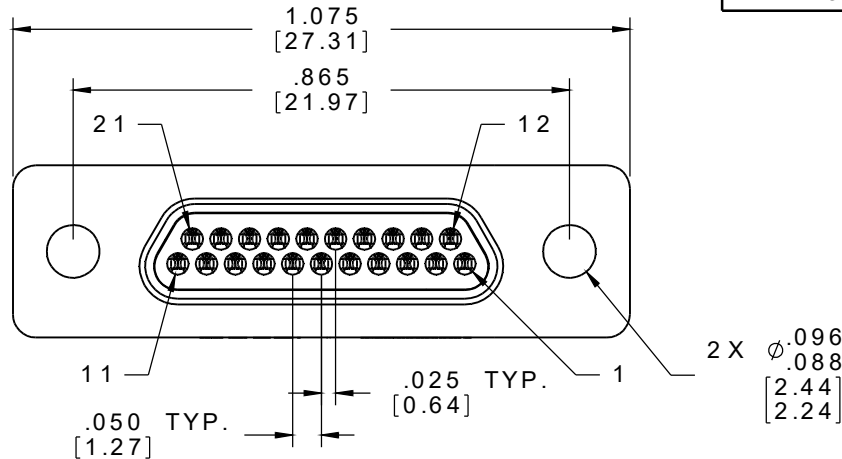
**WIRE:**  
NEMA HP3 TYPE E, COLOR CODED IAW MIL-STD-681, SYSTEM 1, USING TEN SOLID REPEATING COLORS

**HARDWARE:**  
AVAILABLE UPON REQUEST

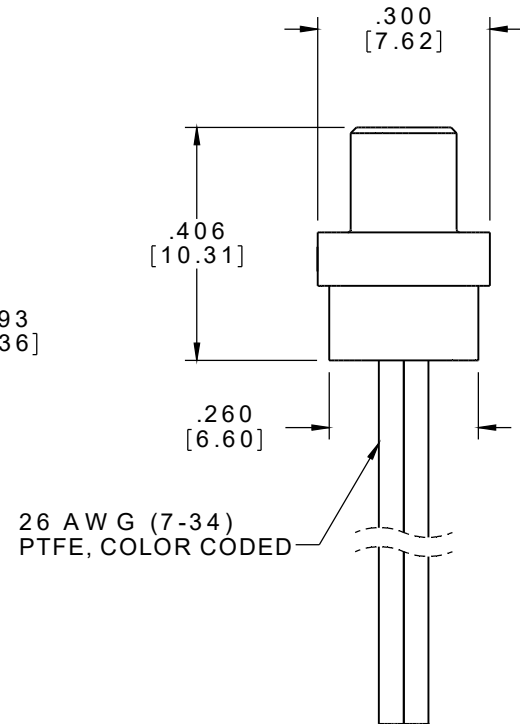
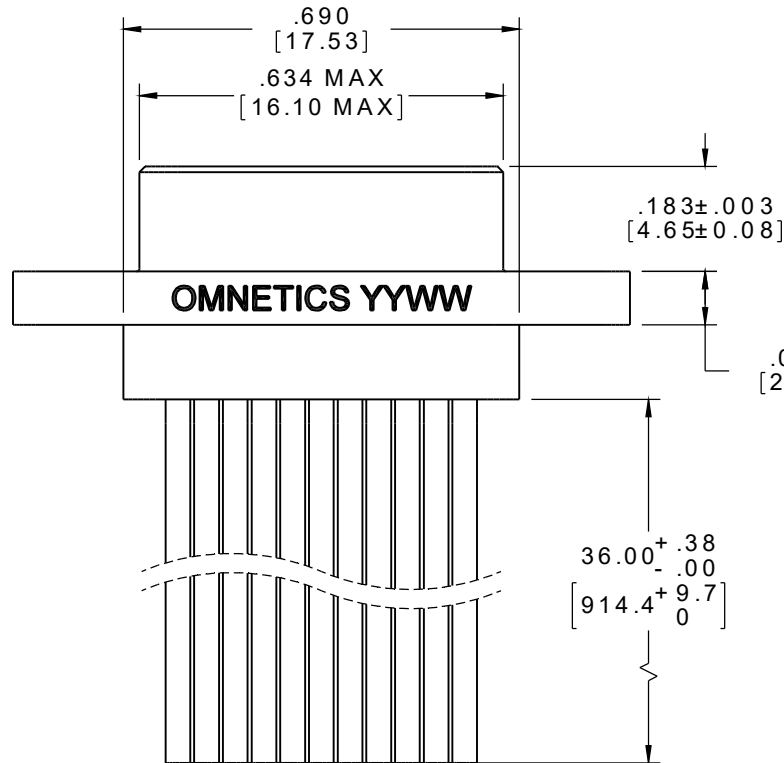
PIN #	COLOR
1, 11, 21	BLACK
2, 12	BROWN
3, 13	RED
4, 14	ORANGE
5, 15	YELLOW
6, 16	GREEN
7, 17	BLUE
8, 18	VIOLET
9, 19	GRAY
10, 20	WHITE

INTERNAL USE ONLY  
SHEET 2 OF 2 IS  
MANUFACTURING  
LOADING DIAGRAM

PART NO.	A98014-021	REV	ECO	DATE	APP
		B	99319	03-01-13	JMJ



ACTUAL SIZE EXCLUDING WIRE LENGTH



**RoHS**

**NOTE:**

DIMENSIONS IN [ ] ARE IN MILLIMETERS UNLESS OTHERWISE NOTED AND ARE FOR REFERENCE ONLY

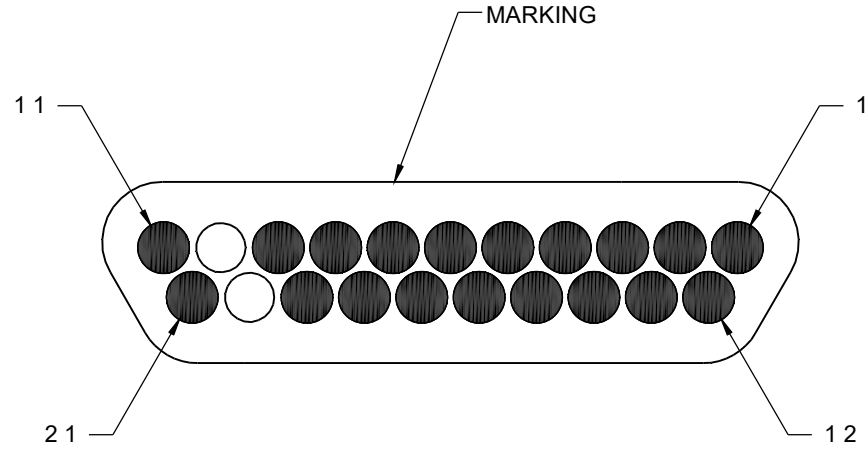
MMDP SLDW	THIRD ANGLE
	-TOLERANCES-
	UNLESS OTHERWISE NOTED
	DIMENSIONS IN INCHES
2	PL DEC ± .01
3	PL DEC ± .005
4	PL DEC ± .0005
ANGLES ± 1°	

THIS DRAWING CONTAINS CONFIDENTIAL AND PROPRIETARY INFORMATION WHICH IS THE PROPERTY OF OMNETICS CONNECTOR CORP. THIS DOCUMENT MAY NOT, IN WHOLE OR IN PART, BE DUPLICATED, OR DISCLOSED FOR ANY PURPOSE, WITHOUT WRITTEN PERMISSION FROM OMNETICS CONNECTOR CORP.	
DFTM. TLM	DATE 06-01-11
CHK'D.	DATE
APP'D.	DATE
TITLE: (21) PIN MALE MICRO-D CONNECTOR	

**OMNETICS**  
CONNECTOR CORPORATION  
7260 COMMERCE CIRCLE EAST  
MINNEAPOLIS, MN 55432  
WWW.OMNETICS.COM

CAGE CODE 61873	
DWG NO. A98014-021	
SHEET 1 OF 2	REV B
SCALE: 3:1	

PART NO.	A98014-021	REV	ECO	DATE	APP
		B	99319	03-01-13	JMJ



PIN #	COLOR
1, 11, 21	BLACK
2, 12	BROWN
3, 13	RED
4, 14	ORANGE
5, 15	YELLOW
6, 16	GREEN
7, 17	BLUE
8, 18	VIOLET
9, 19	GRAY
10, 20	WHITE

**RoHS**

MMDP SLDW	THIRD ANGLE	THIS DRAWING CONTAINS CONFIDENTIAL AND PROPRIETARY INFORMATION WHICH IS THE PROPERTY OF OMNETICS CONNECTOR CORP. THIS DOCUMENT MAY NOT, IN WHOLE OR IN PART, BE DUPLICATED, OR DISCLOSED FOR ANY PURPOSE, WITHOUT WRITTEN PERMISSION FROM OMNETICS CONNECTOR CORP.		CAGE CODE 61873	
	-TOLERANCES- UNLESS OTHERWISE NOTED	DFTM. TLM	DATE 06-01-11		DWG NO. A98014-021
	DIMENSIONS IN INCHES	CHK'D.	DATE	TITLE: (21) PIN MALE MICRO-D CONNECTOR	SHEET 2 OF 2
	2 P L D E C ± .01 3 P L D E C ± .005 4 P L D E C ± .0005 ANGLES ± 1°	APP'D.	DATE	7260 COMMERCE CIRCLE EAST MINNEAPOLIS, MN 55432 WWW.OMNETICS.COM	REV B
				SCALE: 6:1	